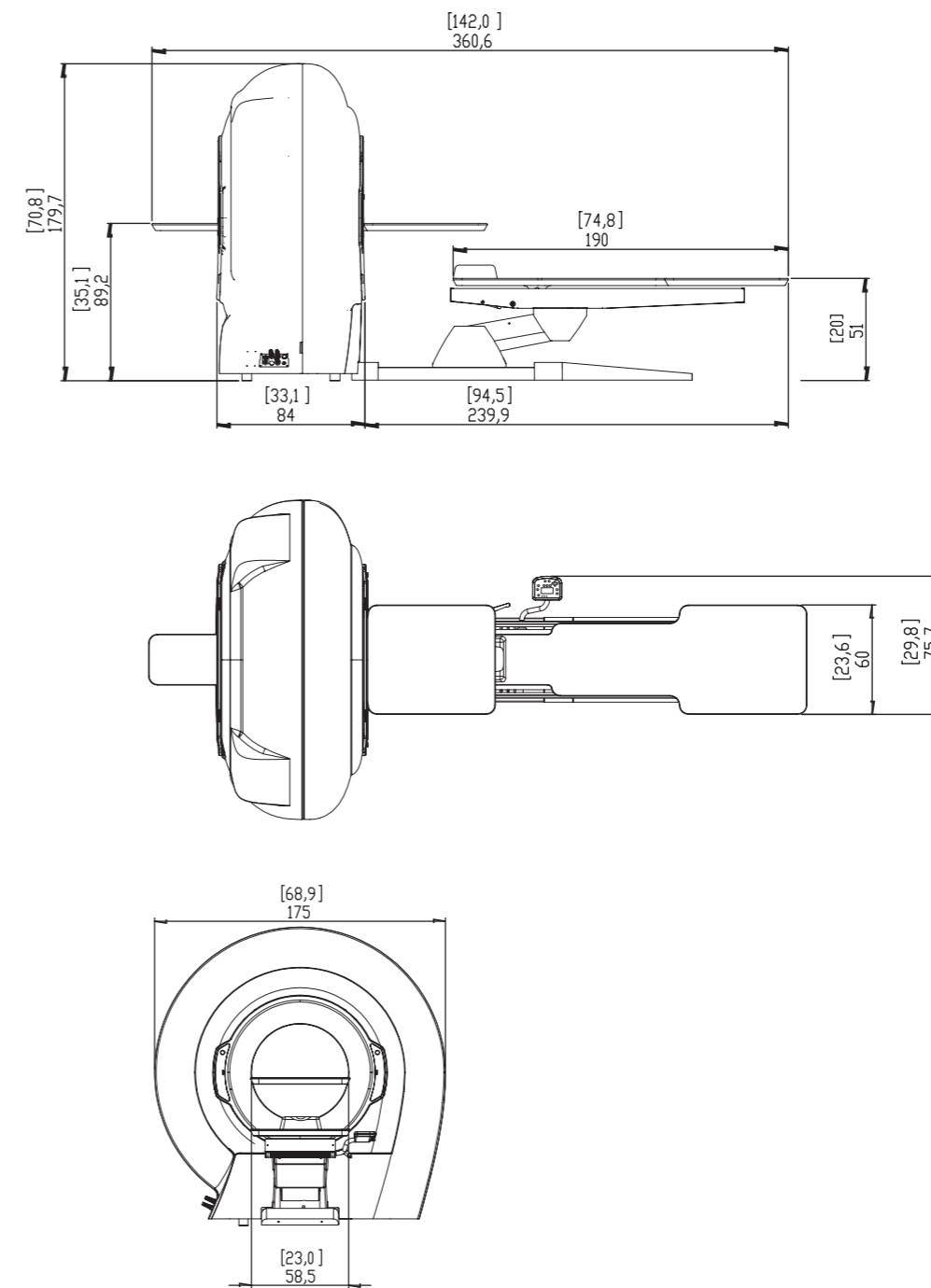


TECHNICAL SPECIFICATIONS.

X-ray source	High frequency generator, rotating-anode X-ray tube
Focal spot	0.3 mm
Exposure Control	SafeBeam™ to reduce exposure according to patient build
Sensor	Amorphous silicon flat panel
Grey scale	16-bit
3D scan time	18 - 36s
3D emission time	0.9s - 9.0s (single scan)
3D image acquisition	Single scan with Cone Beam technology. 360° rotation

Available FOV Diameter x Height	Resolution		Selectable 3D scan modes			
	Standard	HiRes	Eco	Regular	Boosted	Enhanced
21 x 19 cm	■		■	■	■	■
18 x 16 cm	■		■	■	■	■
15 x 22 cm eFOV	■		■	■	■	■
15 x 12 cm	■		■	■	■	■
15 x 5 cm	■	■	■	■	■	■
12 x 8 cm	■	■	■	■	■	■
10 x 10 cm	■	■	■	■	■	■
10 x 5 cm	■	■	■	■	■	■
8 x 8 cm	■	■	■	■	■	■
8 x 5 cm	■	■	■	■	■	■
6 x 6 cm	■	■	■	■	■	■

Selectable voxel size Standard	200 - 300 µm
Selectable voxel size HiRes	100 - 150 µm
Reconstruction time	Less than 1 minute
Ray2D image acquisition	Digital Radiography (single shot, position selectable by user)
CineX image acquisition	1-36s Serial Radiography, field of view 18x19 cm (WxH)
Patient positioning	Seated or lying down, prone or supine, in cranial-caudal or caudal-cranial position
Weight	660 Kg
Software	NewTom NNT (ISDP®10003:2020 compliant in accordance with EN ISO/IEC 17065:2012 certificate number 2019003109-1) - free NNT viewer
DICOM nodes	IHE compliant (Print; Storage Commitment; WorkList MPPS; Query/Retrieve)
Power supply	15A @100/115 V~, 12A @200 V~, 10 A @220/230 V~, 8A @240 V~, 50/60 Hz



Dimensions in centimetres
(dimensions in inches)