

P1-EAU
ROUGE

User Manual

STOP PLAYING
START RACING

Safety Notice

Please read the Manual **carefully** before you use the wheel.

In the event of a malfunction **do not open the product** and contact us (contact@p1sim.fr), otherwise we will not provide warranty service.

This product is not waterproof, please keep it away from rain, moisture and other items containing liquid such as vape, cup ect...

This wheel is only intended to be used as **simulation purpose**.

Notice de sécurité

Merci de lire ce **manuel** avec attention avant toute utilisation du volant.

Dans l'éventualité d'un dysfonctionnement **n'ouvrez pas le volant** et contactez nous (contact@p1sim.fr), dans le cas contraire la garantie ne pourrait pas être appliquée.

Ce produit n'est pas étanche, il est très important de le tenir éloigné de toute sorte d'humidité (pluie, pièce humide, boissons, etc...)

Ce volant est **réservé a un usage de simulation uniquement**, et ne doit en aucun cas être installé dans un véhicule.

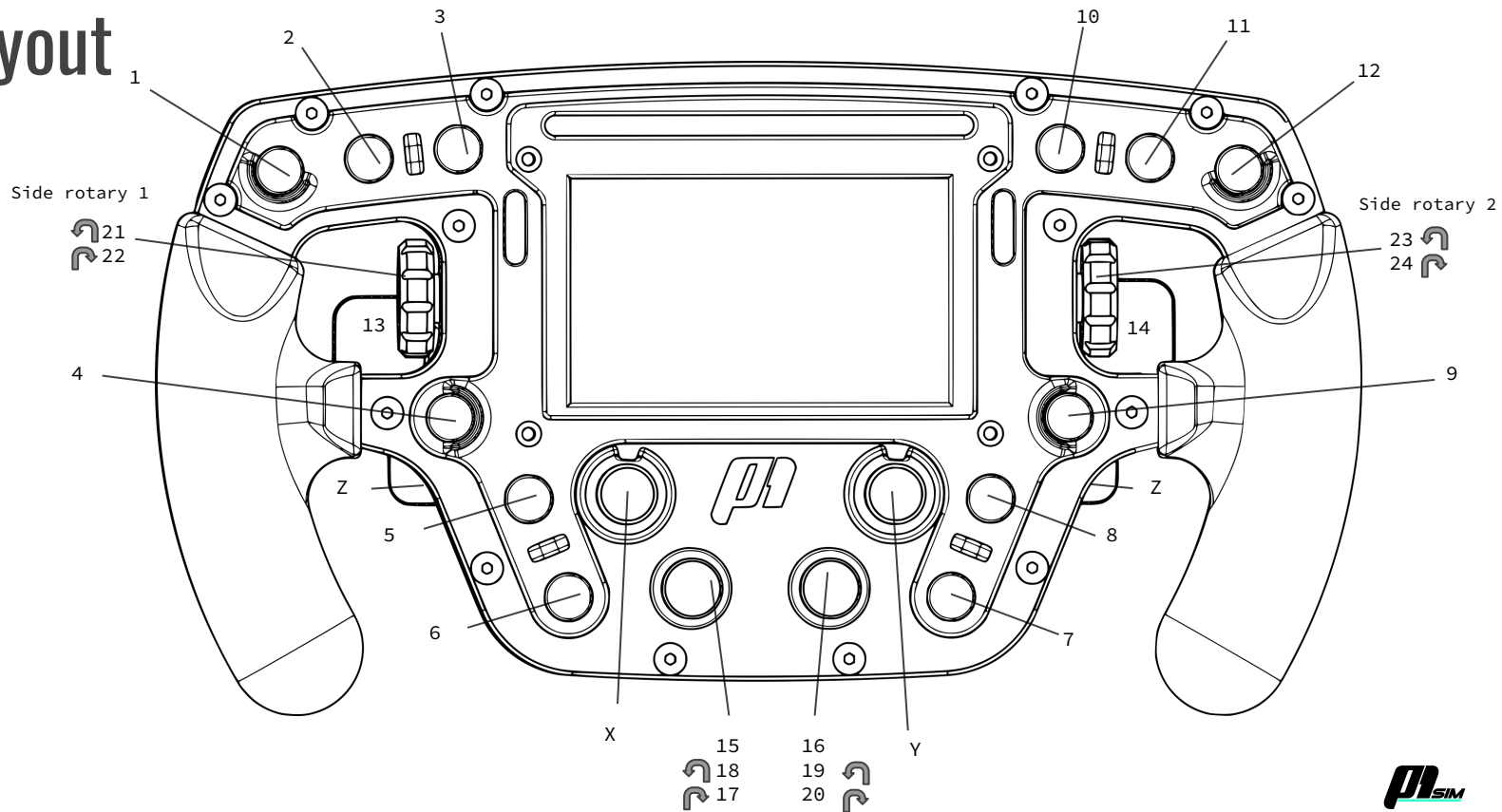
What's included

- P1Sim_EauRouge steering wheel
- Coiled USB cable
- Set of stickers
- Set of screws
- Awesome true racing experience!!

Ce qui est inclus

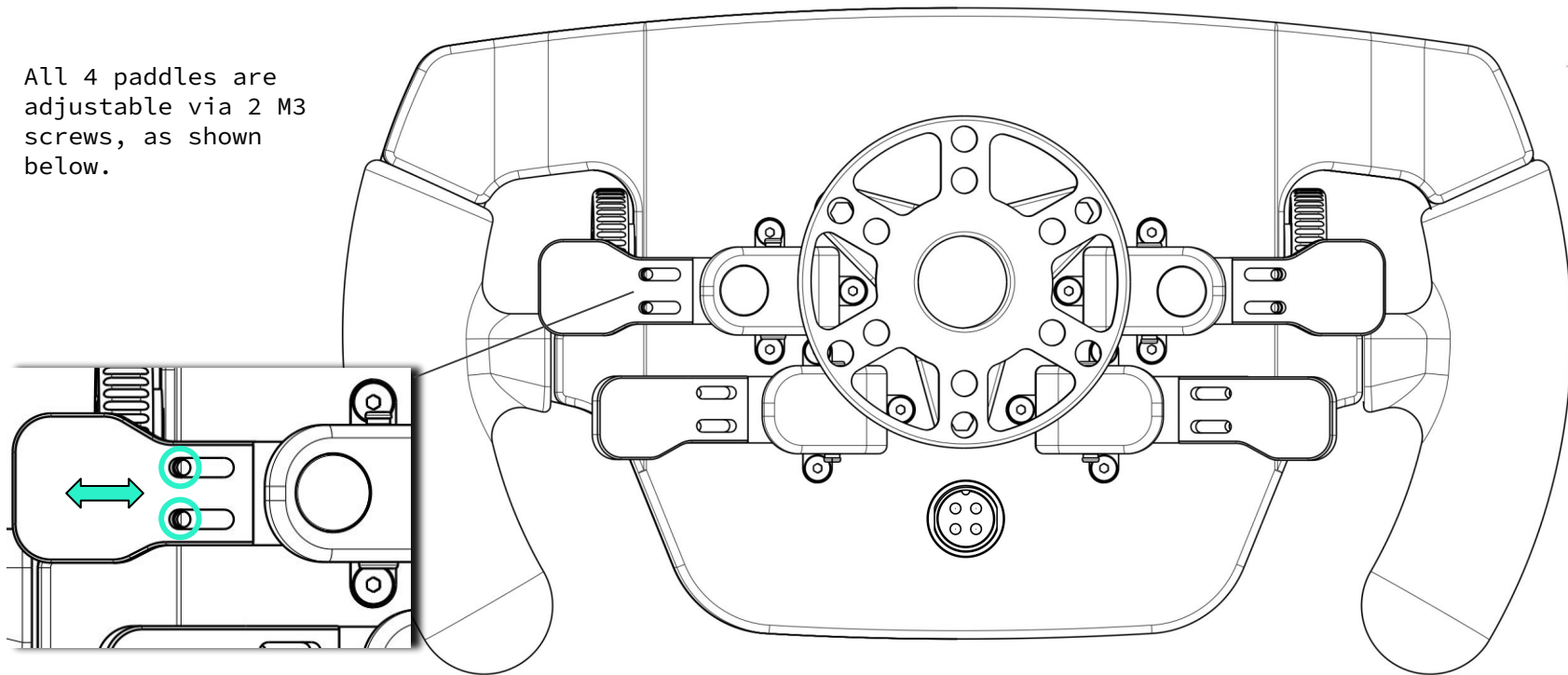
- Volant P1Sim EauRouge
- Cable torsadé de 3m
- Set de stickers
- Set de vis
- Une expérience de de simracing hors norme!!

USB Layout



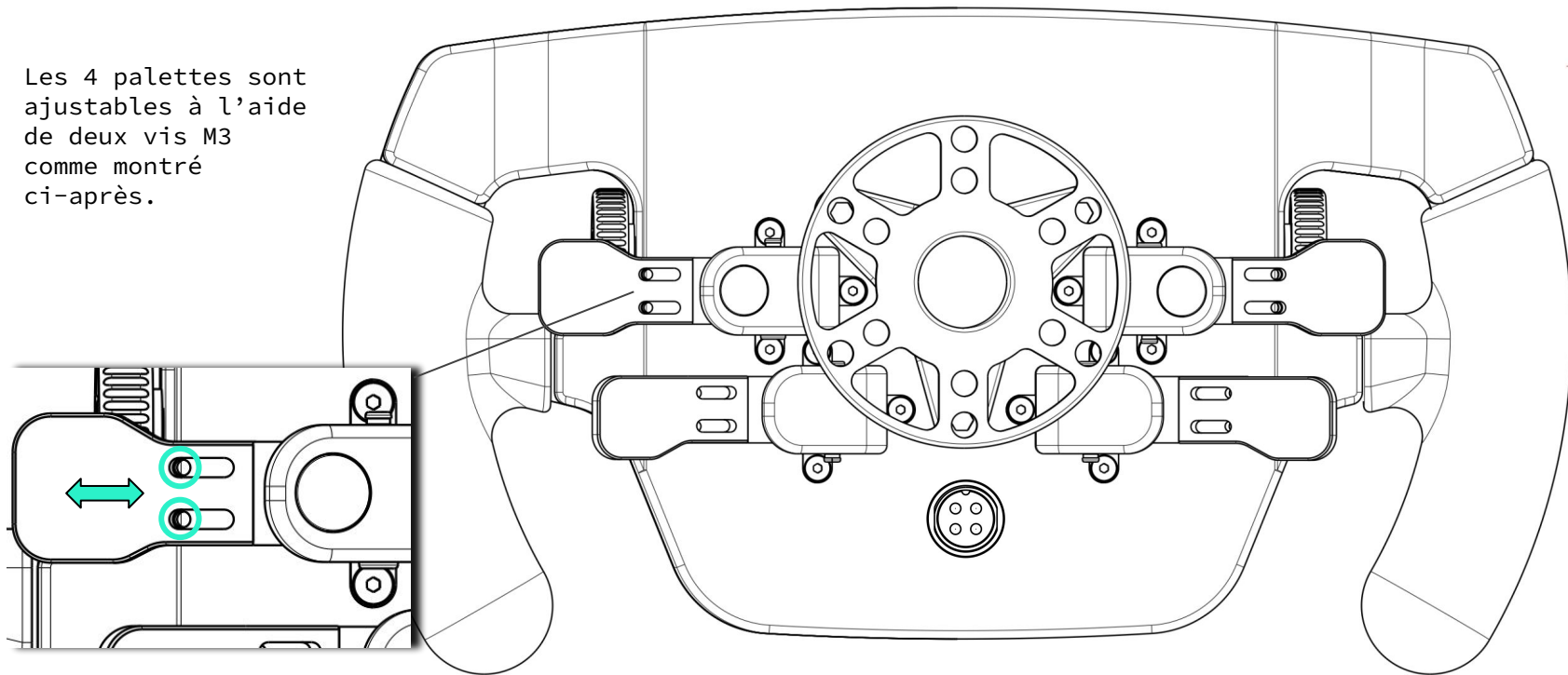
Paddles adjustment

All 4 paddles are adjustable via 2 M3 screws, as shown below.



Ajustement des palettes

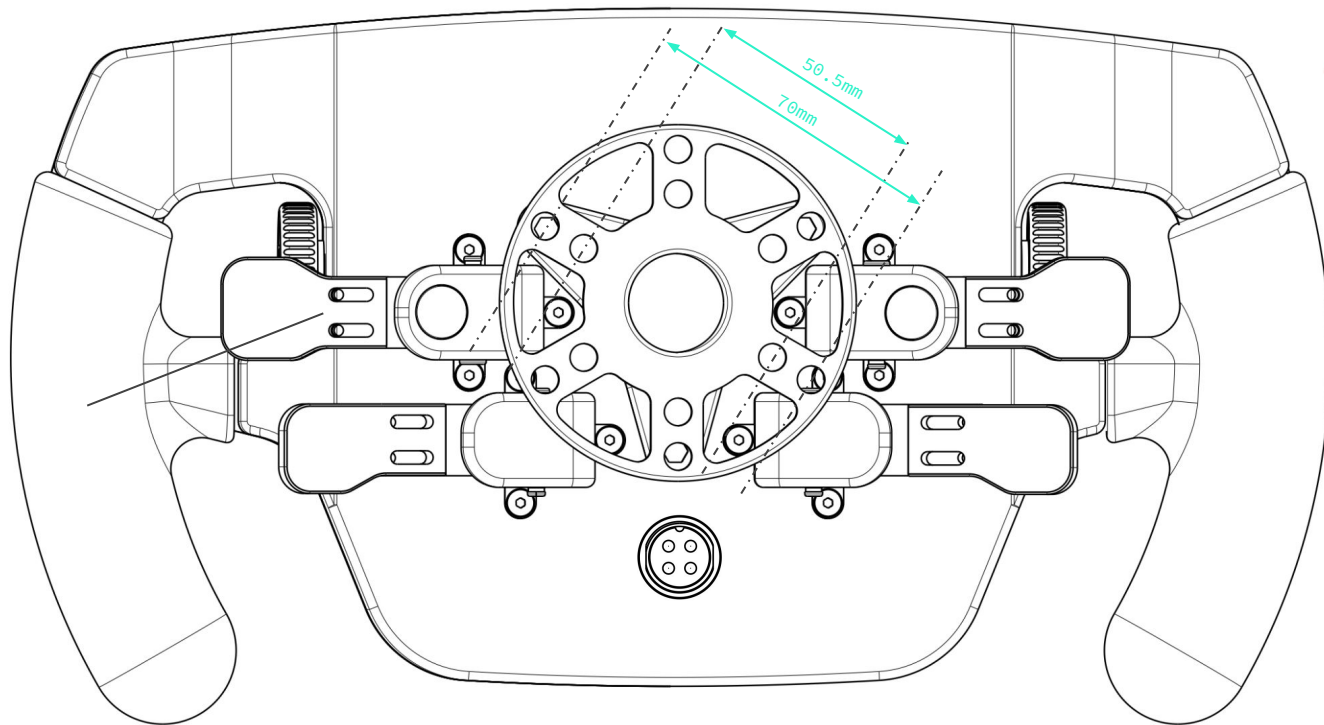
Les 4 palettes sont ajustables à l'aide de deux vis M3 comme montré ci-après.



Wheel installation

The wheel hub comes with two different diameters to allow compatibility with almost any quick releases or bases. It is recommended to use all 6 screws to perfectly secure the wheel. (Screws provided with the wheel)

Note: For Fanatec Podium users, it is mandatory to use the podium hub. Just like for any aftermarket wheels.

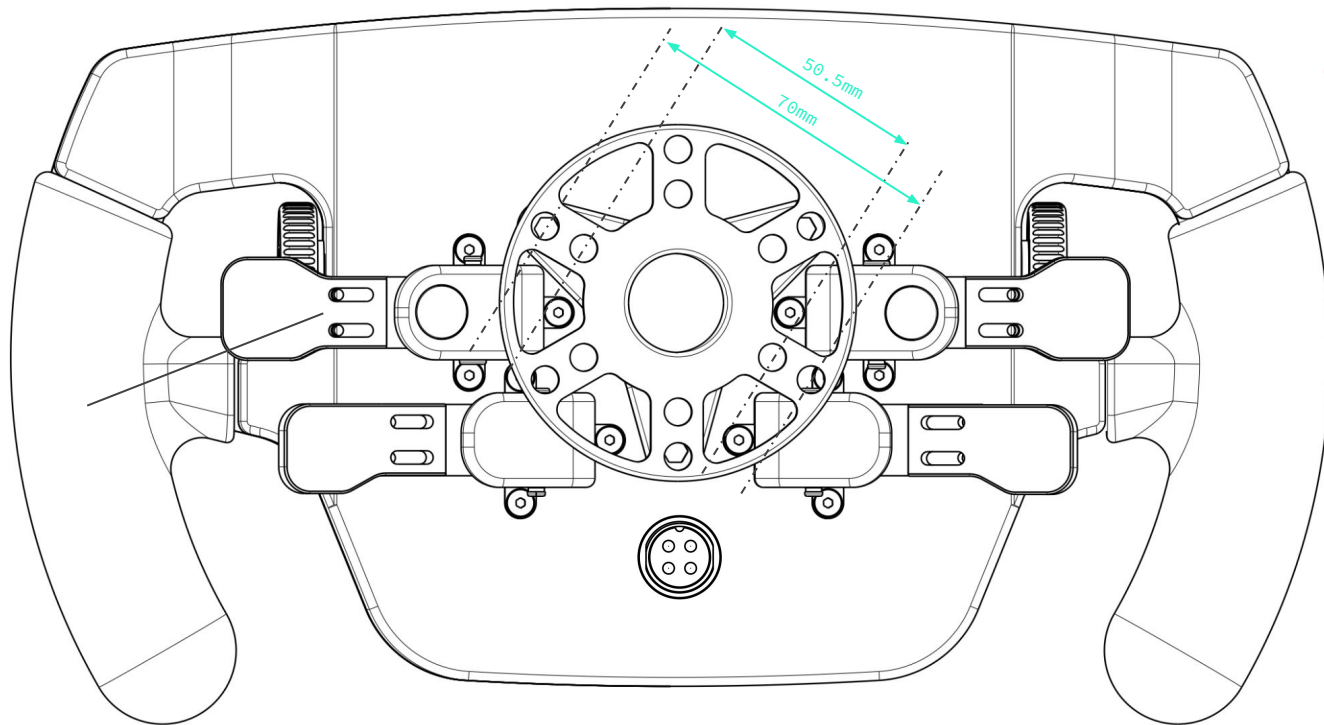


Installation du volant

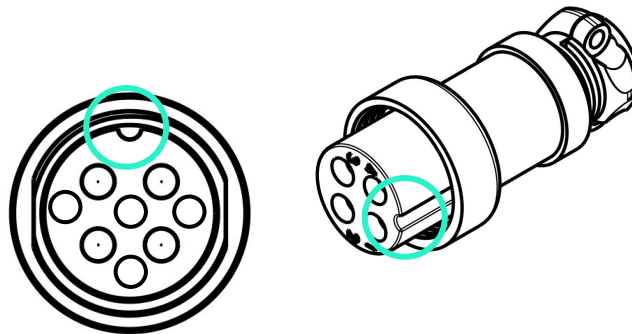
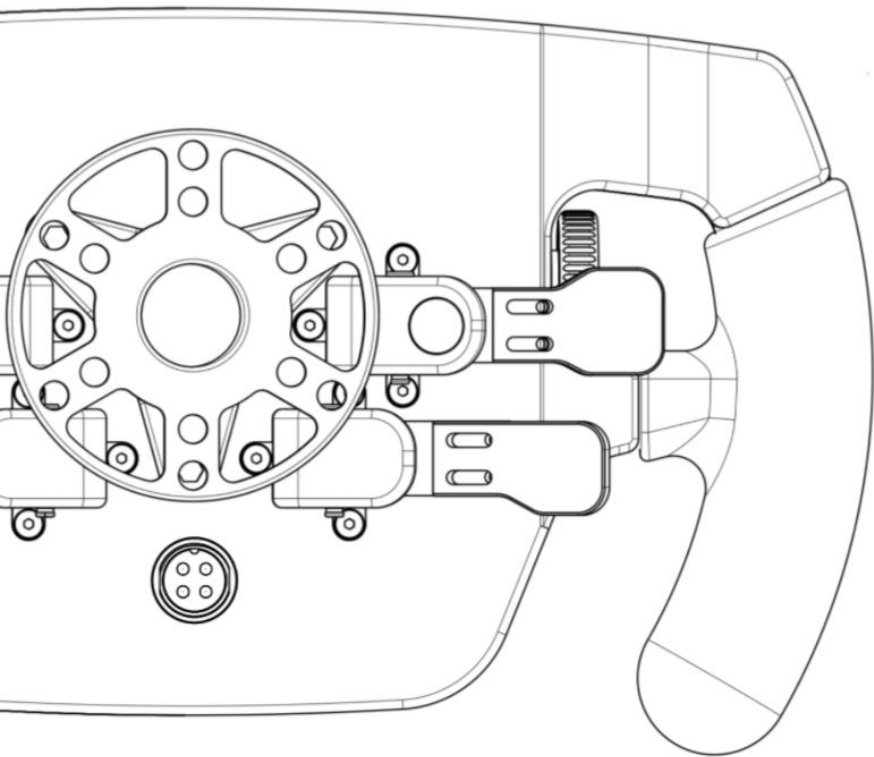
Le hub propose deux différents diamètres qui permettent une compatibilité avec toutes les bases du marché.

Il est recommandé d'utiliser au moins 3 points de fixations.

Note: Pour les utilisateurs de bases fanatec, il est obligatoire de monter le volant sur le podium hub fanatec.



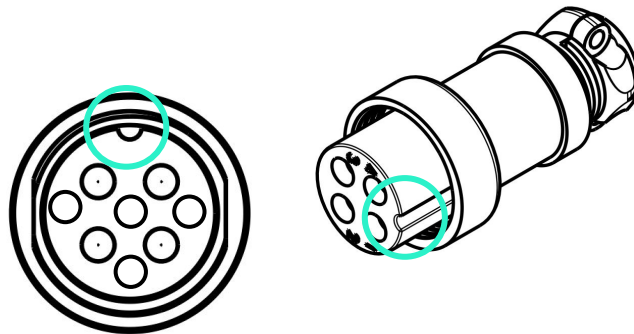
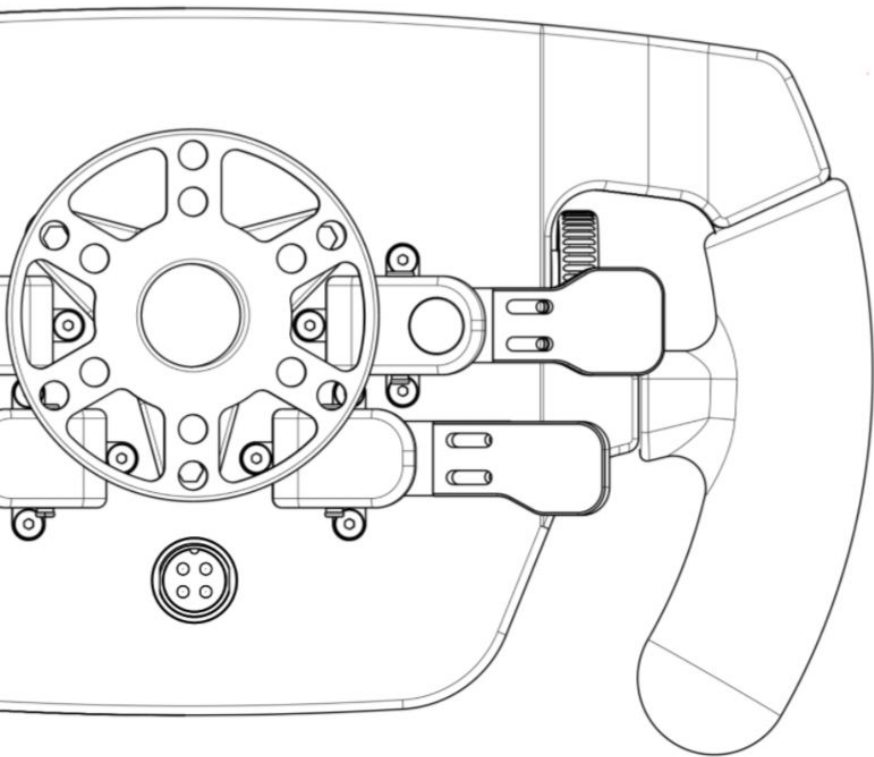
Connection USB



1. Make sure to align connector's Keys
2. Fully insert connector in the wheel
3. Fasten securely the locking thread
4. Connect USB side to your PC or USB Extension.

Tips: To increase longevity of the cable and its connector, it is recommended to secure the connector once and unplug the USB side whenever needed.

USB Connection



1. Aligner les repères du connecteur
2. Insérer le connecteur complètement
3. Visser l'écrou de sécurité
4. Connecter les ports usb a votre PC

Tips: Pour rallonger la durée de vie de votre câble, il est conseillé de ne débrancher que le coté port USB du câble.

Wheel set up (downloads)

1- Download and install **P1Sim Control Center.exe** file

<https://p1sim.fr/pages/downloads>

2- Download and install **Simhub**

<https://www.simhubdash.com/>

It is recommended to buy a licence from simhub if not already done, to unlock all functionalities. SimHub is a great tool which will allow you to configure your screen with endless possibilities.

3- Connect The wheel to your PC

Configuration (downloads)

1- **P1Sim Control Center.exe** file

<https://p1sim.fr/pages/downloads>

2- Télécharger et installer **Simhub**

<https://www.simhubdash.com/>

Il est recommandé de prendre une licence simhub si vous n'en avez pas déjà, pour débloquer toutes les possibilités. SimHub est un formidable outil qui vous permettra de configurer votre écran à volonté.

3- Connecter le volant a votre PC.

P1Sim Control Center Overview

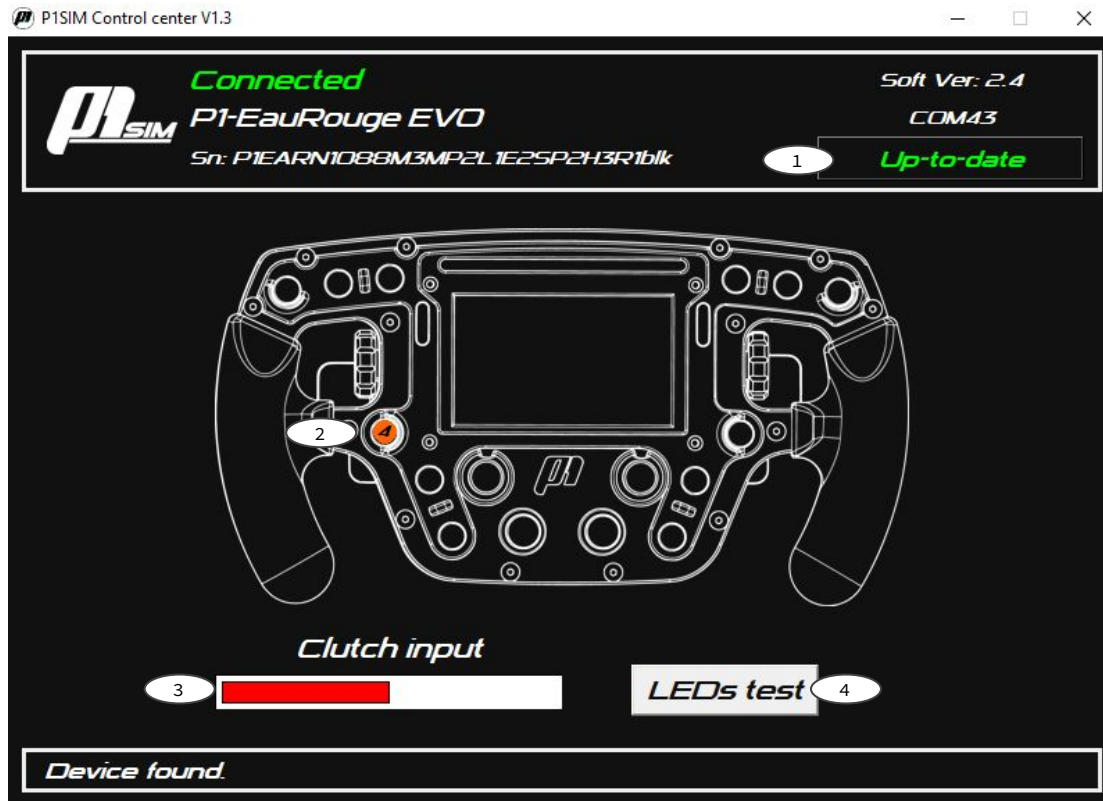
1- Firmware status

When firmware updates will be available, the status will change to **Update available**

2- Push buttons check

3- Clutch input check

4- LEDs Check



P1Sim Control Center Overview

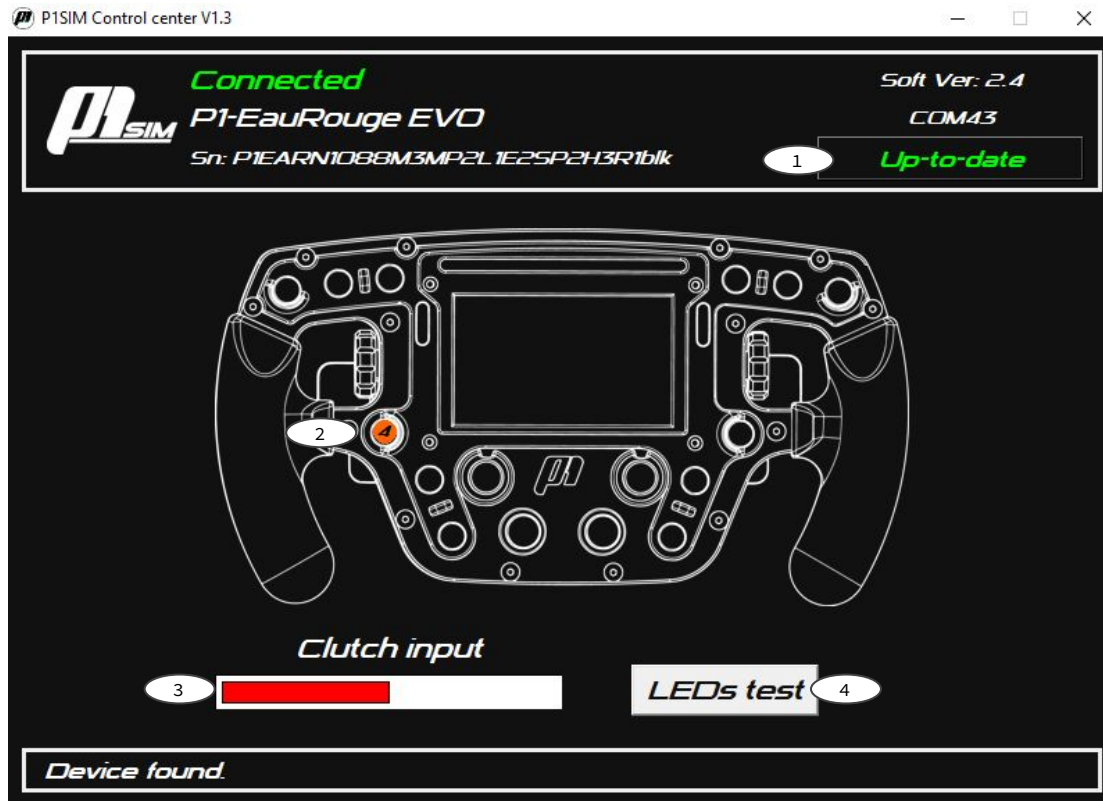
1- Status du Firmware

Quand une nouvelle version du firmware sera disponible alors le status changera **Update available**

2- Test des boutons

3- Test des embrayages

4- Test des leds



Dash config 1/2

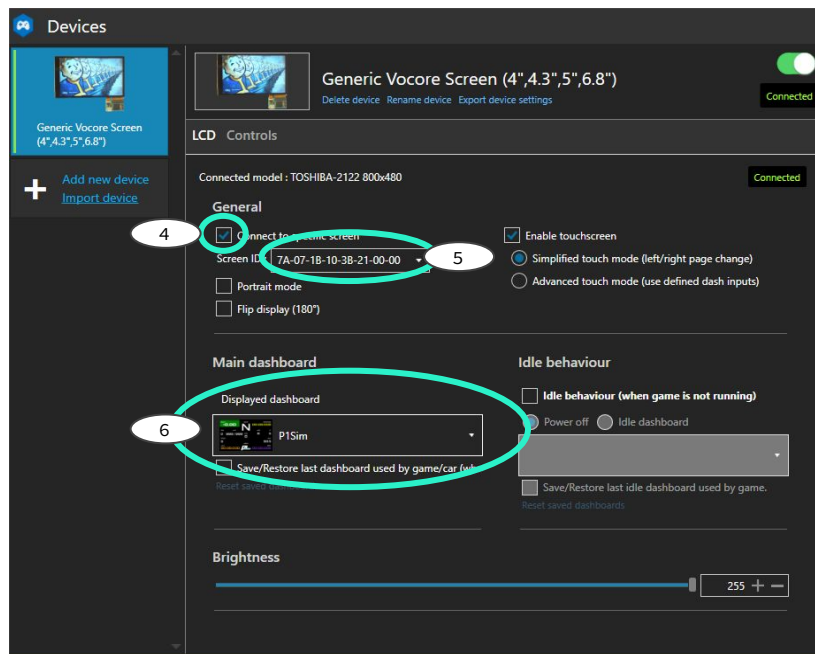
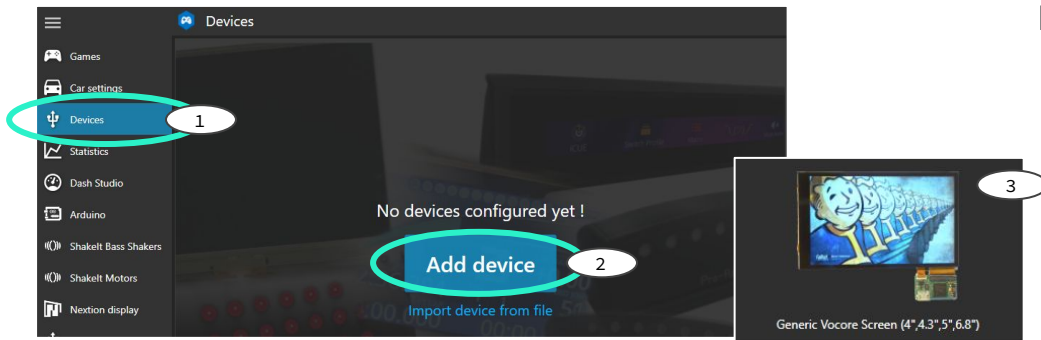
- 1- Click **Devices**
- 2- Click **Add device**
- 3- Select **Generic Vocore Screen (4", 4.3", 5", 6.8")**
- 4- Tick box: **Connect to a specific screen**
- 5- Select Screen ID
- 6- Select **Displayed Dashboard**

The image shows three sequential screenshots of the 'Dash Config' application interface, illustrating the steps to add a device:

- 1**: The 'Devices' menu item in the left sidebar is highlighted with a red circle.
- 2**: The 'Add device' button in the center of the screen is highlighted with a red circle.
- 3**: The 'Generic Vocore Screen (4", 4.3", 5", 6.8")' device is selected from the list on the right.
- 4**: The 'Connect to a specific screen' checkbox in the 'General' section is checked and highlighted with a red circle.
- 5**: The 'Screen ID' dropdown menu is open, showing the selected ID '7A-07-1B-10-3B-21-00-00' highlighted with a red circle.
- 6**: The 'Displayed dashboard' dropdown menu is open, showing the selected dashboard 'P1Sim' highlighted with a red circle.

Dash config 1/2

- 1- Click sur **Devices**
- 2- Click sur **Add device**
- 3- Selectionner **Generic Vocore Screen (4", 4.3", 5", 6.8")**
- 4- Cocher case: **Connect to a specific screen**
- 5- Selectionner **Screen ID**
- 6- Selectionner **Displayed Dashboard**



Dash config 2/2

1- Click on **controls**

2- Configure buttons to switch dash pages.

The screenshot shows the 'Devices' management interface. On the left, a sidebar lists the device 'Generic Vocore Screen (4",4.3",5",6.8")' with a '+ Add new device Import device' button. The main area displays the device's configuration. The 'Controls' tab is highlighted with a red circle and a '1' in a white circle. Below it, a list of control actions is shown, each with a 'ShortAndLo' label. The 'Show next dash screen' action is highlighted with a red circle and a '2' in a white circle. Other actions include 'Cycle next dash template', 'Cycle previous dash template', 'Cycle only through favorites dash', 'Show previous dash screen', 'Show first dash screen (for the current in game or idle mode)', and 'Trigger dash action A (depends of the dash design)', 'Trigger dash action B (depends of the dash design)', 'Trigger dash action C (depends of the dash design)', and 'Trigger dash action D (depends of the dash design)'. A 'Connected' status indicator is visible in the top right corner.

Dash config 2/2

1- Click sur **Controls**

2- Choisir les boutons souhaités pour faire défiler les pages du dash.

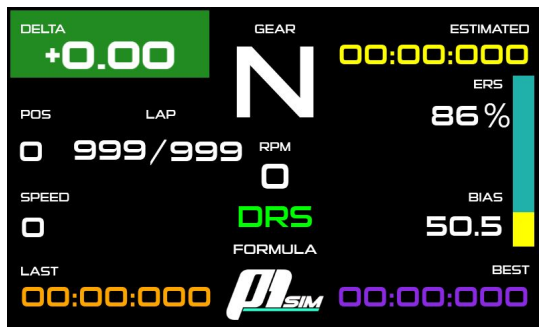
The screenshot shows the PiSIM configuration interface for a device named "Generic Vocore Screen (4\".4.3\".5\".6.8\")". The "Controls" tab is selected and highlighted with a red circle and a "1" in a white circle. Below the "Controls" tab, there is a list of control actions:

- Cycle next dash template (ShortAndLo)
- Cycle previous dash template (ShortAndLo)
- Cycle only through favorites dash (disabled)
- Show next dash screen (ShortAndLo) - This button is circled in red and labeled with a "2" in a white circle.
- Show previous dash screen (ShortAndLo)
- Show first dash screen (for the current in game or idle mode) (ShortAndLo)
- Trigger dash action A (depends of the dash design) (ShortAndLo)
- Trigger dash action B (depends of the dash design) (ShortAndLo)
- Trigger dash action C (depends of the dash design) (ShortAndLo)
- Trigger dash action D (depends of the dash design) (ShortAndLo)

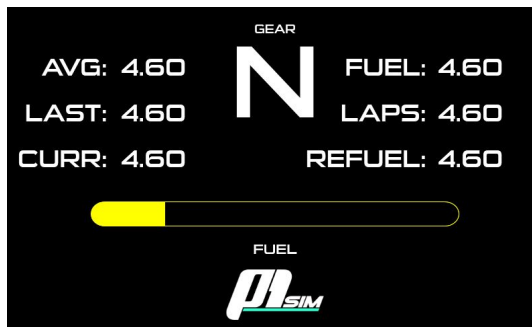
Dash Overview



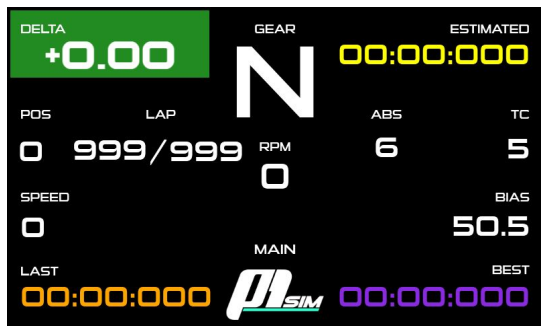
Idle screen



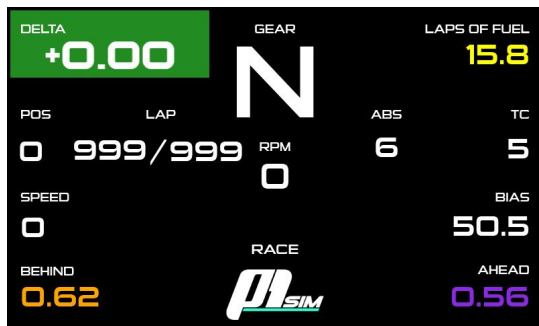
Formula screen



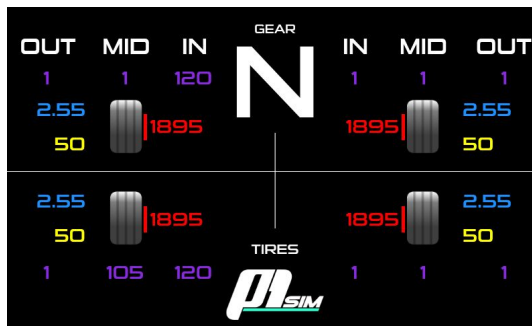
Fuel screen



Main screen



Race screen



Tires screen

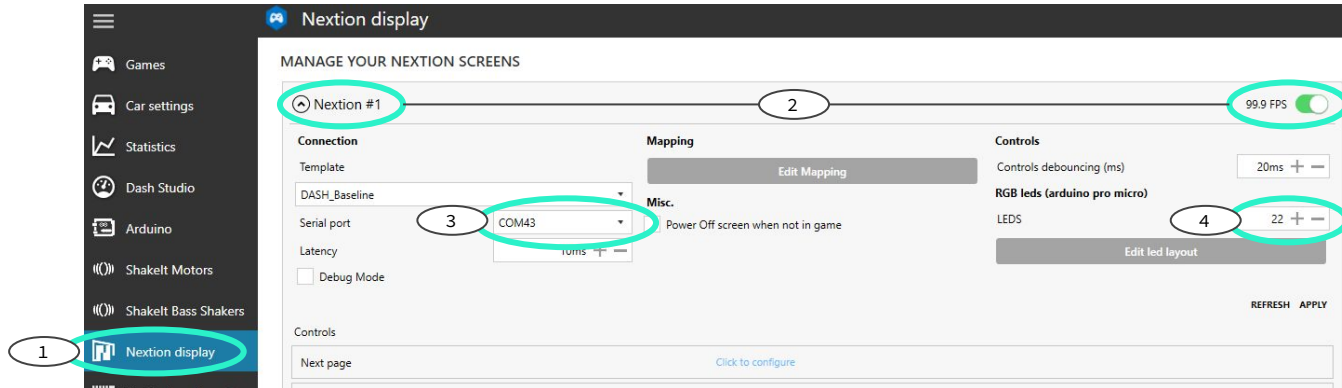
LEDs config 1/2

- 1- Click on **Nextion display**
- 2- Select **Nextion 1**
- 3- Check com port and modify if needed
- 4- Change LEDs number to **22**

The screenshot shows the 'Nextion display' configuration page. The interface is divided into several sections: 'MANAGE YOUR NEXTION SCREENS', 'Connection', 'Mapping', 'Controls', and 'Misc.'. The 'Connection' section includes a 'Serial port' dropdown menu set to 'COM43'. The 'Controls' section includes a 'LEDs' dropdown menu set to '22'. The 'Misc.' section includes a 'Power Off screen when not in game' checkbox. The 'Nextion #1' screen is selected, and the '99.9 FPS' toggle is turned on. The 'Nextion display' option in the left sidebar is highlighted with a red circle and the number 1. The 'Nextion #1' screen name is circled in red with the number 2. The 'Serial port' dropdown is circled in red with the number 3. The 'LEDs' dropdown is circled in red with the number 4. The '99.9 FPS' toggle is circled in red.

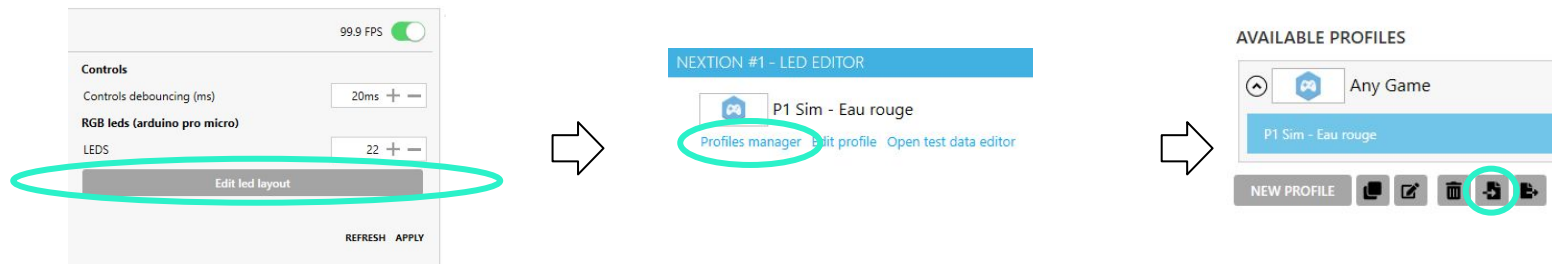
Configuration LEDs 1/2

- 1- Click sur **Nextion display**
- 2- Sélectionner **Nextion 1**
- 3- Vérifier Port COM puis le modifier si besoin.
- 4- Changer le nombre de LEDs a **22**



LEDs config 2/2

5- Click on edit led layout, then profile manager, then import LED config to the wheel



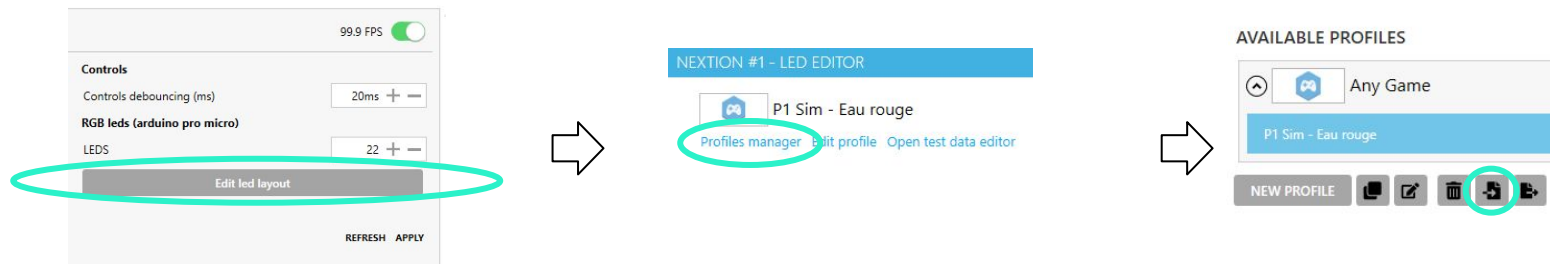
6- File will be located here:

C:\Program Files (x86)\SimHub\LedConfig

10- A Blue light comes up on the wheel, You're all set!

Configuration LEDs 2/2

5- Click sur edit led layout, puis profile manager, puis importer le fichier config LED.



6- Le fichier sera situé ici:

C:\Program Files (x86)\SimHub\LedConfig

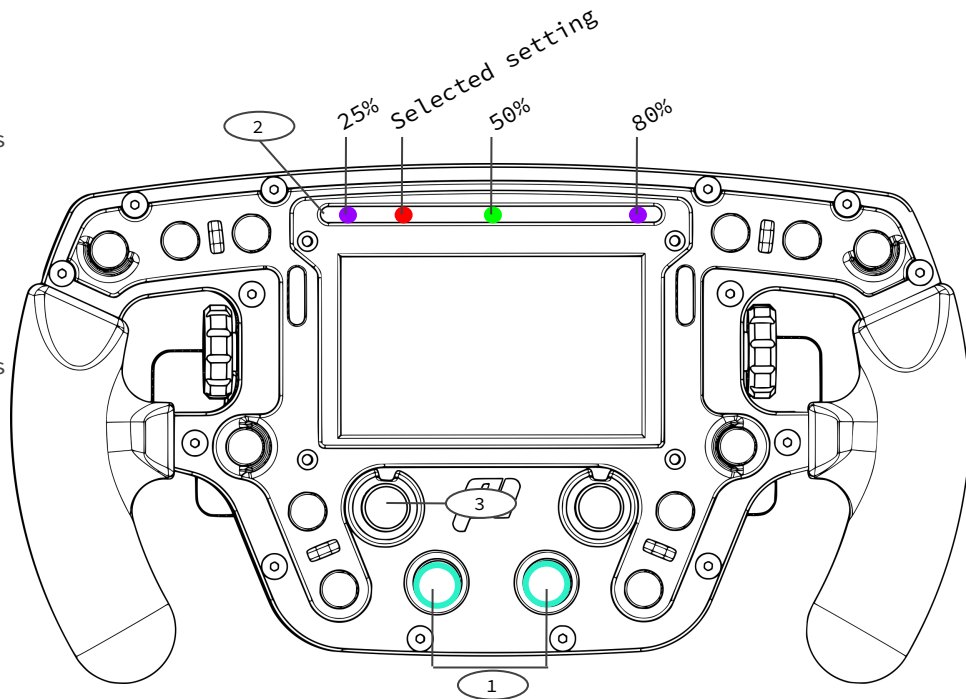
10- Une LED Bleue apparait, vous etes pret a rouler!

Bite Point Setup Procedure

At any moment, it is possible to fine tune the bite point following this procedure:

- 1 Push simultaneously buttons 15 and 16 for 3 seconds
- 2 Setup mode appears on LEDs bar
- 3 Rotate rotary X to select the right setup
- 4 Push simultaneously buttons 15 and 16 for 3 seconds
to exit setup

Note: The set value corresponds to the right paddle, meaning that for a setup of 80%, the right paddle is acting up to 80% on the clutch release.

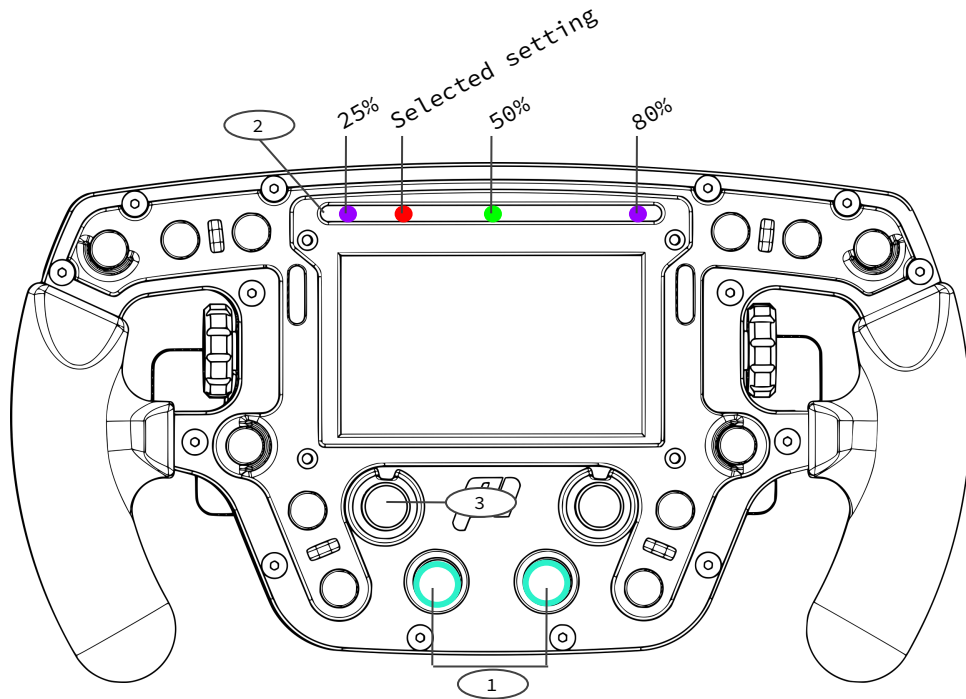


Procédure de réglage du point de patinage

A tout moment, il est possible de régler le point d'accroche de l'embrayage en fonction du véhicule utilisé:

- 1 Appuyer simultanément sur 15 et 16 pour 3 seconds
- 2 Le réglage apparait comme montré ici
- 3 Tourner le commutateur 12 position gauche pour ajuster et choisir le bon réglage.
- 4 Appuyer simultanément sur 15 et 16 pour 3 seconds

Note: La valeur paramétré correspond a la palette de droite.

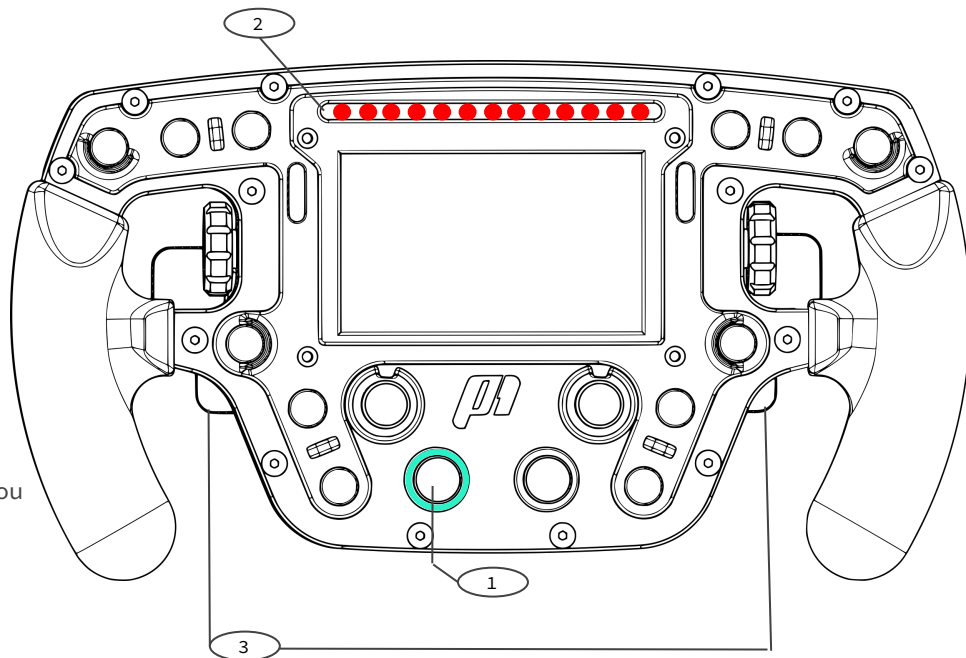


Clutch Calibration Procedure

Depending on your usb port quality it might be necessary to perform a clutch calibration, here is the procedure to follow:

- 1 Push button 15 for 5 seconds
- 2 A countdown appears on LEDs bar
- 3 Slowly press and release both clutch paddles several times during countdown, then release them before the end.
- 4 When countdown is finished, calibration is done

Note: This calibration only needs to be performed if you notice a latency when pressing clutch paddles.

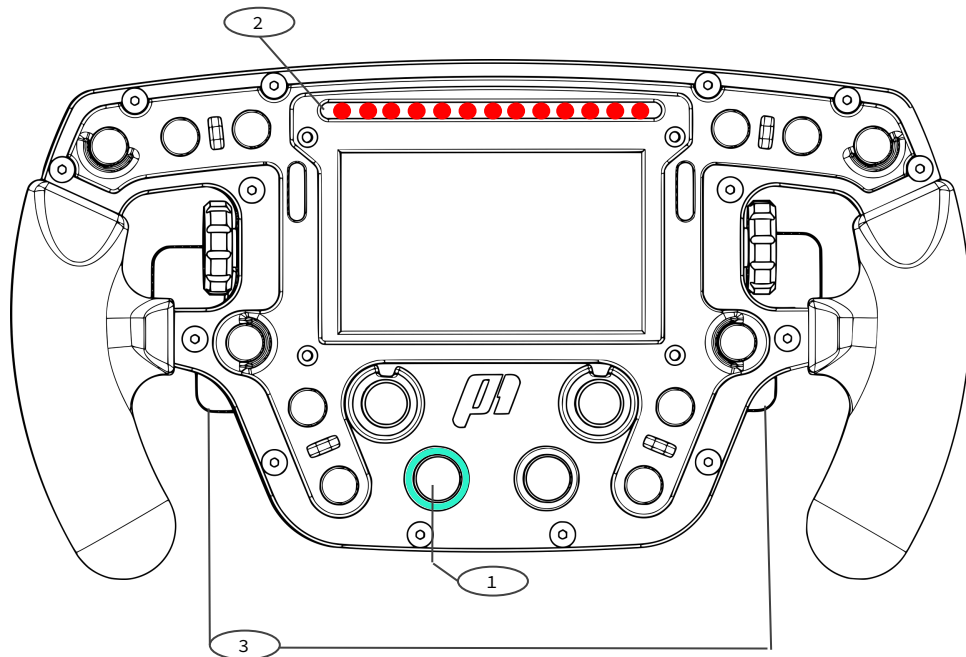


Procédure de calibration USB

En fonction de la qualité de vos ports usb, il sera peut être nécessaire de paramétrer la course de vos palettes:

- 1 Appuyer sur 15 pendant 5 secondes
- 2 Un compte à rebours apparaît sur la barre de LEDs.
- 3 Actionner les deux palettes simultanément pour balayer leur course complète, à plusieurs reprises.
- 4 Quand le compte à rebours est terminé, la calibration est terminée.

Note: Cette procédure n'est nécessaire que si vous constaté une latence lors de l'action de ces palettes.



Manufactured by



Designed and developed by

P1 Sim SAS

E-mail: Contact@p1sim.fr

website: www.p1sim.fr

Version 1

