



Zumex Group, S.A. Headquarters
Polígono Ind. Moncada III
C/ Moli, 2 46113 Moncada, Valencia, Spain
Tel. +34 961 301 251 Fax. +34 961 301 255
zumex@zumex.com

Zumex USA Inc. USA & Canada
1573 NW 82nd Ave, Miami, FL 33126 USA
Tel. 1 305 591 0061 Fax. 1 305 591 0062
Technical Assistance:
1-877-ZUMEX-TA
(1 877 986 3982)
zumexusa@zumex.com

Zumex México
Uxmal 616,
Colonia Vertiz Narvarte
Delegación Benito Juárez
CP 03600 México D.F. México
Tel. (55) 5212-0619 / 5212-1171
5212-1185 / 5212-1184
zumexmexico@zumex.com

Feel the difference of Speed Pro on
our website
www.zumex.com



En
235.6250.000

SPEED PRO
Feel the difference





WELCOME TO THE BEST VERSION OF THE QUICKEST AND MOST ROBUST SERIES BY ZUMEX

By re-engineering the Speed Pro, we manage to combine technology and aesthetics in a renovated and more functional design that **adapts to your business more than ever.**

The new Speed Pro range gives way to the reinvention of a generation of juicers that provide an even more efficient, safe and impeccable service both in the Retail sector and in Food Service. We have studied every need to adapt as closely as possible to the daily activity of supermarkets, self-service and hotels that seek to generate an experience behind each juice.

Discover a new improved series for it to be easier to use, with a more capable feeder system; a new cleaning system; an extraction unit characterized by its efficiency and safety; a smart juice service; more convenient waste management and a more professional electronic device to facilitate its operation. **It develops all possibilities, offering the best juice in a very simple manner at your point of sale.**



FRUITS

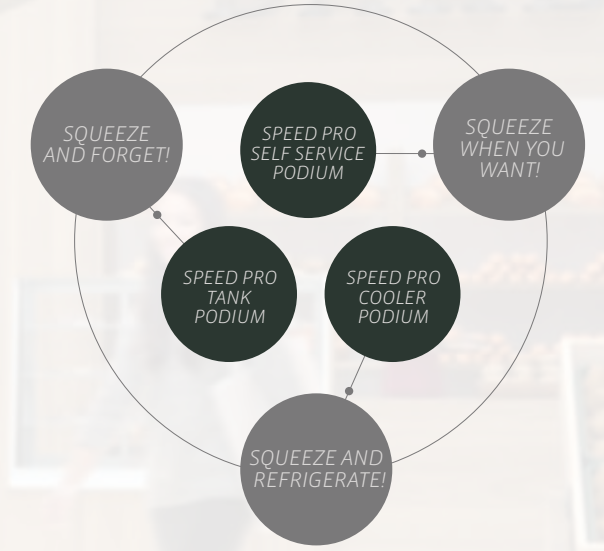
SQUEEZE THE MOST OUT OF YOUR SUPERMARKET

TURN SHOPPING INTO AN EXPERIENCE

Our daily schedules usually leave us very little time to relax, look after ourselves and eat healthily.

To this end, **offering a freshly squeezed, quality orange juice at your Supermarket is an opportunity made real with the new Speed Pro machine range.** Easy and efficient to operate, they guarantee a new experience in terms of service, ease of use, functionality and cleanliness.

To drink or take away, and above all, to bring the **Life Essence** closer to the consumer.



CHOOSE THE BEST OPTION FOR YOUR SUPERMARKET THERE IS A SPEED PRO FOR YOU



Speed Pro **Self Service Podium**



Speed Pro **Tank Podium**



Speed Pro **Cooler Podium**

OFFER THE BEST SELF-SERVICE

JUICE TIME

Travelling, waking up in another city or taking a break in your journey is not at odds with a healthy lifestyle.

The new Speed Pro has two tabletop models that adapt perfectly to your self-service area, table or counter, providing your rest area, hotel or cafeteria with a fresh and delicious product. A positive experience for those people who seek an easy and quality service.

Make your self-service a space to restock on energy, have a freshly squeezed juice, take a break and continue.



CHOOSE THE BEST OPTION FOR YOUR BUSINESS
THERE IS A SPEED PRO FOR YOU



Speed Pro



Speed Pro Self Service





New feeder

READY FOR ACTION

4 kg more autonomy

Increase in loading capacity up to 20kg.

It makes it 7 cm easier for you

We reduce the height of the feeder thanks to its front door, making the loading process easier.

Better orange rotation

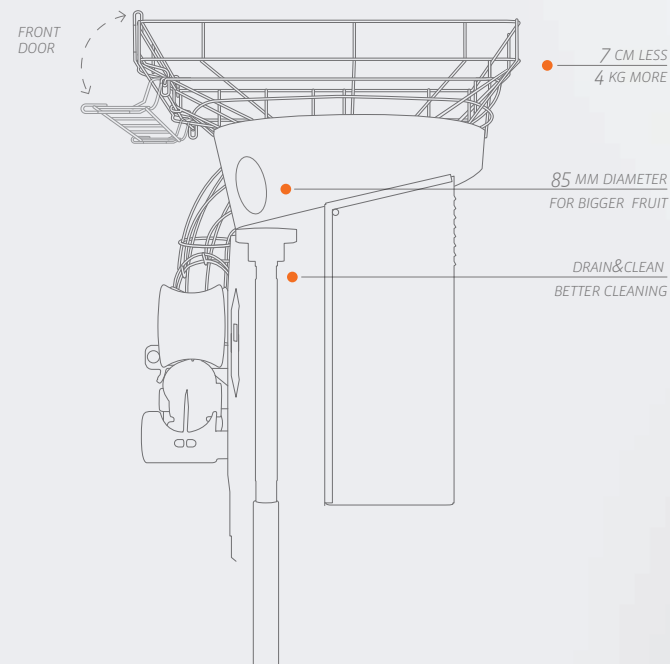
Its hygienic design preserves oranges better, providing a higher quality juice.

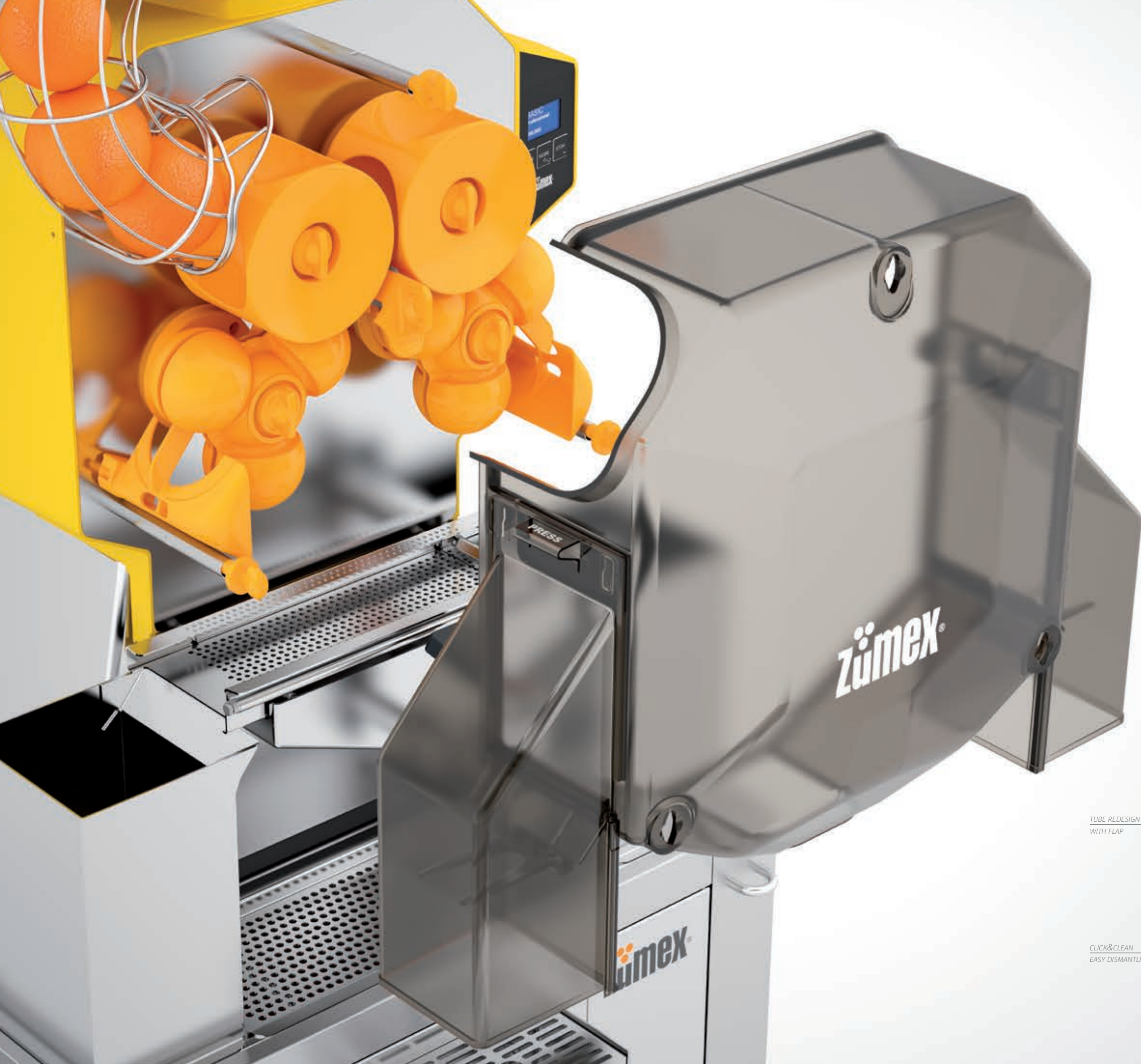
A broader feeder tube

With capacity of up to 85mm diameter.

Discover the new Drain&Clean system

For unprecedented cleaning.





Better juice extraction block
**RESISTANCE AND
HANDINESS COMBINED**

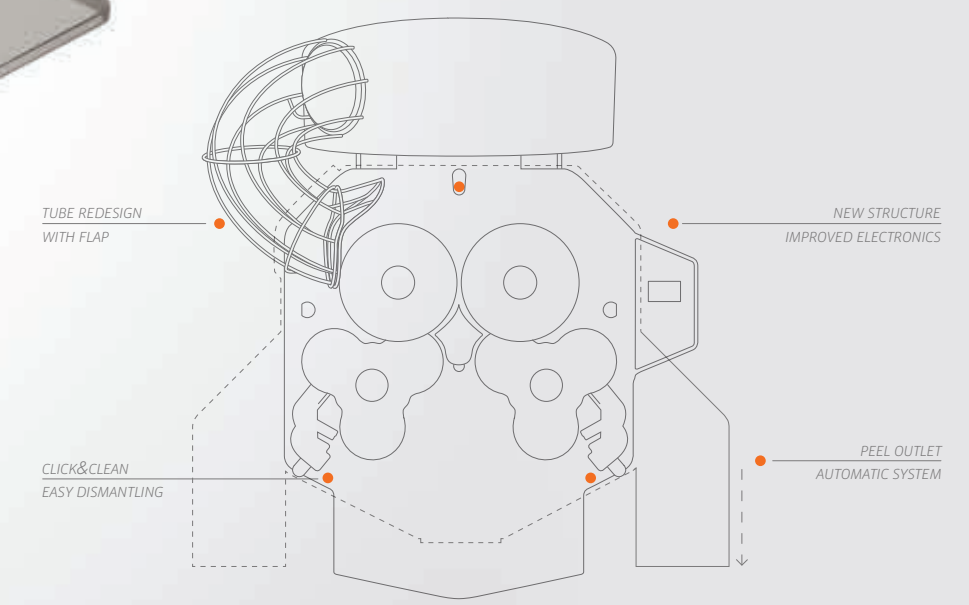
Redesign of feeder tube
With Flap, making it easier to insert oranges.

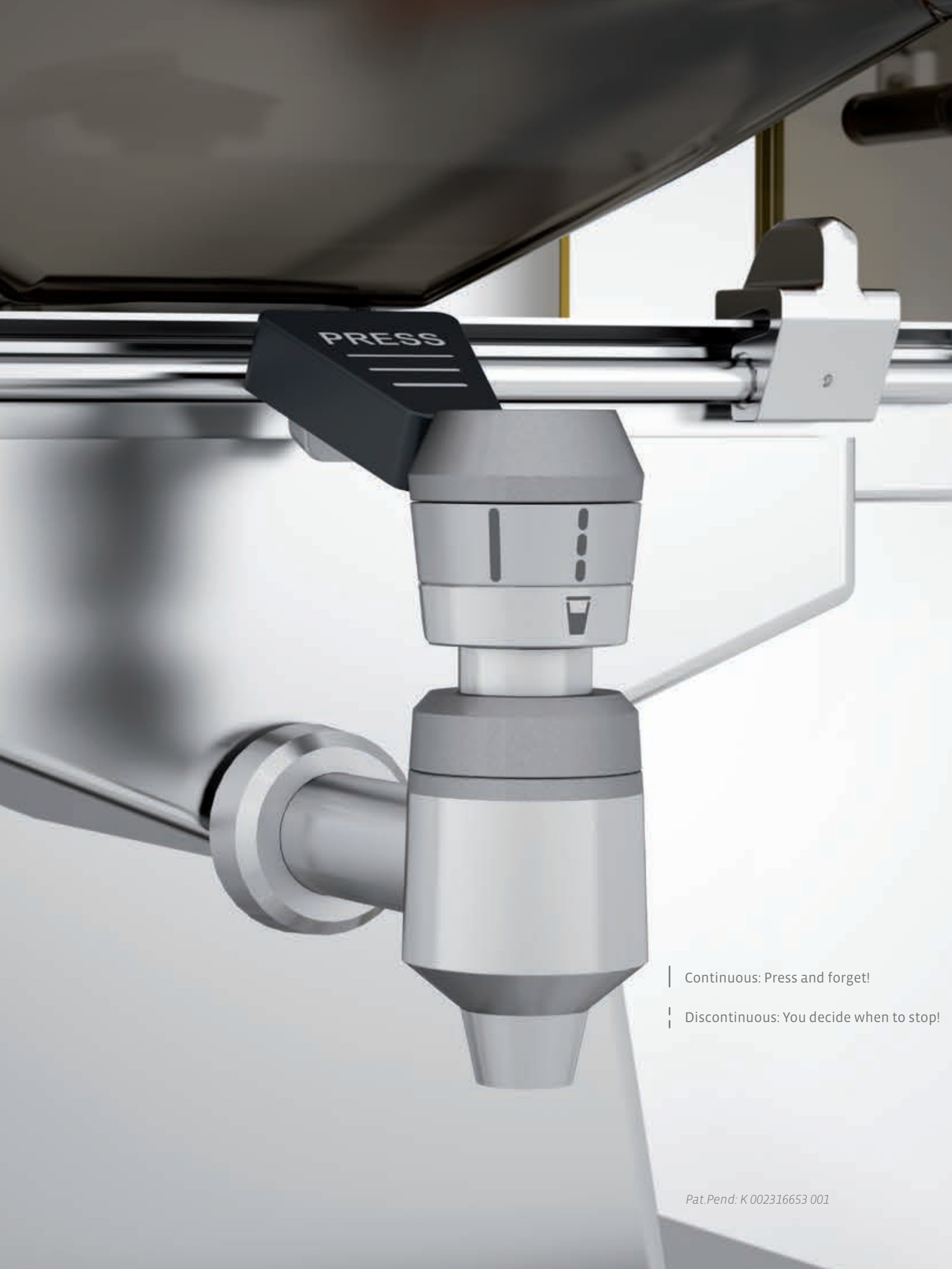
New structure
Lighter and more stable, with integrated electronics and invisible detectors.

New extraction cover
High strength and easy to dismantle.

Dismantle your Speed in just one click
The fixed Click&Clean lugs help clean and handle the Speed, making everything much easier.

New peel outlet system
Easier and with automatic stop safety detectors.





Perfect service
**THE REVOLUTION OF
 SELF SERVICE**

Serve yourself!

With the new 2Services Tap, more intuitive, more functional and easier to clean. Choose the mode and start to enjoy your juice to drink or take away.

Removable stainless steel bin

“in just one click” for Tank and Self Service models.

Choose when to eliminate the pulp

With the new PulpOut system, without affecting the performance.

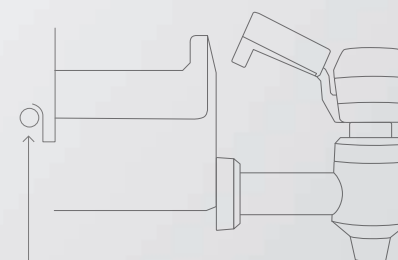


| Continuous: Press and forget!

| Discontinuous: You decide when to stop!

New 2Services tap.

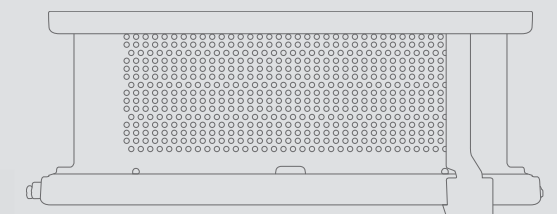
Choose the best way to serve the juice.



• Click and disassemble

PulpOut system.

Just slide and eliminate the pulp when you want.



Pat.Pend: K 002316653 001



Improved electronics

WHAT YOU WERE
WAITING FOR

Electronic devices

for all models.

Intelligent Touch

Communicate with your Speed Pro.

Choose the working mode:
automatic or professional.

Choose the language or the number
of oranges you want to squeeze.

A bespoke digital panel.

Waste management

WE MAKE IT EASY
FOR YOU

Now 9 kg more capacity

Up to 52 kg of waste.

Cleaning and handling

of waste on wheels with the new Trolley.

Designed for you

We have redesigned every part of the podium to
increase the safety and mobility of your Speed Pro.



SPEED PRO IN DETAIL

SO YOU KNOW EVERYTHING

SPEED PRO

Improved version of Speed; model indicated for restaurants with a high juice demand due to its capacity and easy cleaning. **Ideal for your convenience.**

SPEED PRO SELF SERVICE

It revolutionises the Self Service world. It is characterised by its autonomy and adaptability to restaurants, self services and hotel buffets.

ROBUST ON THE OUTSIDE. SPEEDY ON THE INSIDE

FRUITS PER MINUTE	40 f/min	LITRES PER MINUTE	2.5-4.5 l/min	FRUIT DIAMETER	65-85 mm (50-65 mm KIT D65)
VOLTAGE	115 V 60 Hz		220-240 V 50-60 Hz	HOPPER CAPACITY	20 kg 44 lb
POWER	320 W (560 W COOLER)		300 W (560 W COOLER)	PROTECTION	IPX4
CONSUMPTION	2.7 A (4.85 A COOLER)		1.2 A (2.4 A)	SAFETY	Triple magnetic system

SPEED PRO SELF SERVICE PODIUM

The giant Speed Pro **ideal for large Retail establishments** due to its efficiency, simple operation and functionality

VERSION AVAILABLE WITH DRAIN&CLEAN

SPEED PRO TANK PODIUM

The perfect option for supermarkets, with its **5-litre (1,32 gal.) storage tank**, which preserves freshly squeezed juice with the same quality, and with no waiting.

VERSION AVAILABLE WITH DRAIN&CLEAN

SPEED PRO COOLER PODIUM

The most complete Speed Pro service. Freshly squeezed and refrigerated juice, ready to drink. **With temperature-controlled cooling device, 7-litre (1,85 gal.) tank and level detector.**



DIMENSIONS WIDTH X DEPTH X HEIGHT	593 x 574 x 989 mm 23.35 x 22.6 x 38.94"
NET WEIGHT	64.7 kg 142.4 lb

DIMENSIONS	593 x 658 x 1050 mm 23.35 x 25.91 x 41.34"
NET WEIGHT	72.2 kg 158.9 lb

DIMENSIONS	675 x 700 x 1765 mm 26.57 x 27.56 x 69.49"
NET WEIGHT	118.1 kg 259.9 lb

DIMENSIONS	675 x 700 x 1765 mm 26.57 x 27.56 x 69.49"
NET WEIGHT	116.7 kg 256.6 lb

DIMENSIONS	675 x 727 x 1850 mm 26.57 x 28.62 x 72.83"
NET WEIGHT	128.3 kg 282.2 lb



All the models include **Intelligent Touch**, a standard electronic device that will make life easier for you. Among other functionalities, you will be able to choose the squeezing mode, either automatic or professional, and program your machine to count the oranges squeezed.



New **2Services** tap, with dual functionality, permits continuous or discontinuous juice extraction so that it can be easily operated by the user.



All the Podium versions include **stainless steel podium** with wheels and greater capacity waste trolley.

Consult the different Speed Pro models depending on the concept of use.



BESPOKE SPEED PRO

CREATE THE BEST VERSION

KIT D65

FOR SMALLER DIAMETERS

This accessory permits squeezing fruit with less than 65 mm diameter such as small oranges, tangerines and limes.



DCS SYSTEM

FOR THE MORE COMPLICATED FRUIT

Squeezing soft and very ripe citrus fruit has a solution. There is no fruit that resists its dynamic blades.



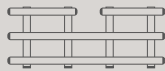
SPEED PRO DISPLAY PODIUM

For you to always have your freshly squeezed juice bottles ready to take away. Available in two sizes.

SELF SERVICE TRAY

TO MAKE THINGS EASIER *

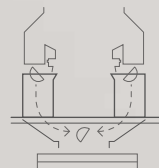
Front support that is secured to the module, enabling the tray to be left on it in self-service establishments.



A KIT FOR BAR COUNTERS

VERY DEMANDING **

Integrate bar counter waste management in the most practical and clean way with the Counter Bar Kit.



DRAIN&CLEAN

FORGET ABOUT THE PROBLEMS



Incorporate this drain system and make it easy to clean your Speed Pro feeder. Accessory available for Self Service Podium and Tank Podium models.

A BOTTLE RACK WAS NEVER SO CONVENIENT*

Organise your bottles, glasses or jars in a visible and tidy manner both for your customers' tranquility and convenience, and for yours.

SQUEEZE AND GO!

Take a freshly squeezed juice wherever you want, with our 6 bottle formats (1.5 l, 1 l, 70 cl, 50 cl, 33 cl and 25 cl) and customizable labels.

* Models with podium.

** Only models without podium.