

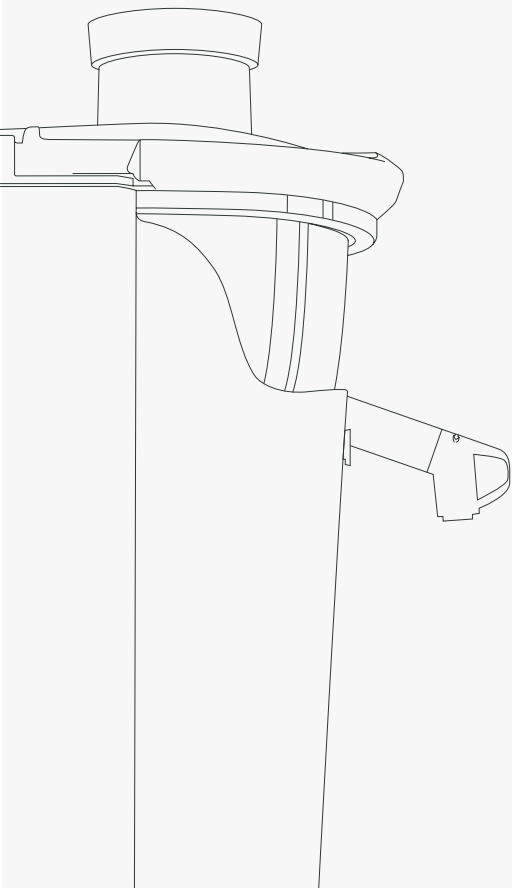
POWER BECOMES HEALTHY

MULTIFRUIT



User's manual · Manual de usuario · Manuel de l'utilisateur
Bedienungsanleitung · Manuale d'uso





ENGLISH. USER'S MANUAL 06

ESPAÑOL. MANUAL DE USUARIO 24

FRANÇAIS. MANUEL DE L'UTILISATEUR 42

DEUTSCH. BEDIENUNGSANLEITUNG 60

ITALIANO. MANUALE D'USO 78

POWER BECOMES HEALTHY
MULTIFRUIT

ANNEX

Drawing and description

Figuras y descripción general

Figures et vue d'ensemble

Abbildung und Beschreibung

Figure e descrizione generale



Fig. 1

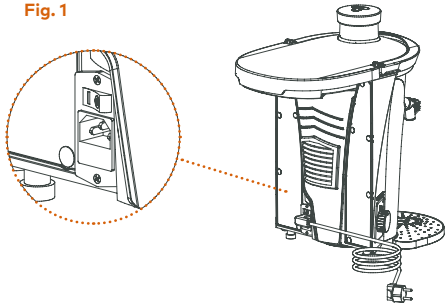


Fig. 2

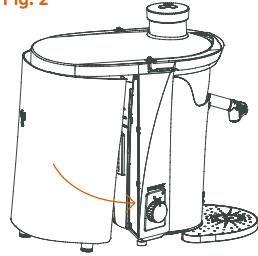


Fig. 5

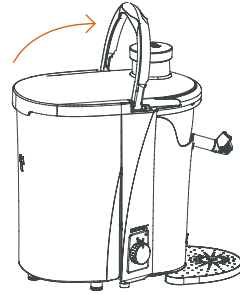


Fig. 6

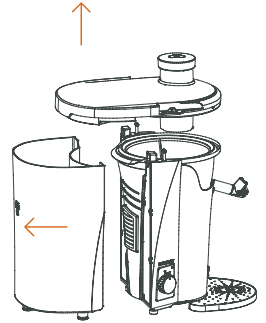


Fig. 3

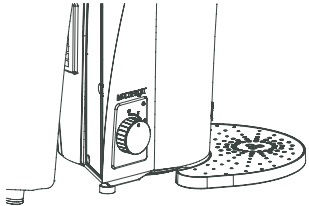


Fig. 4

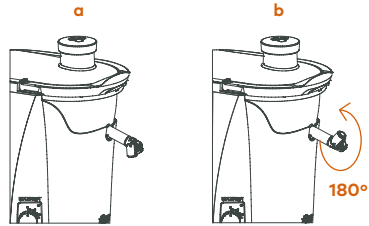


Fig. 7

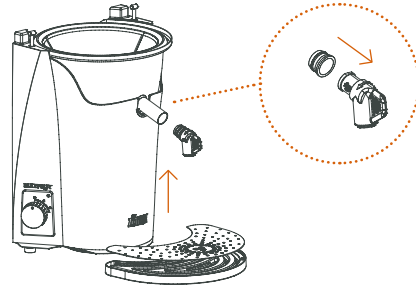
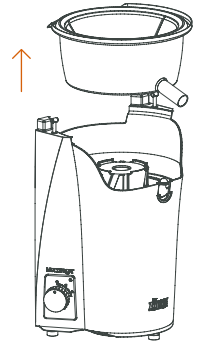


Fig. 8





ZUMEX PRESENTS Power Becomes Healthy

Multifruit is the perfect multi-juicer to extract the most juice possible from any type of fruit or vegetable. This multi-juicer will enable you to enjoy considerable gastronomic versatility allowing you to prepare any type of juice, cocktail or smoothie imaginable, economising time, work and raw material.

Multifruit has the most powerful engineering on the market and it is as quick as it is silent. It incorporates new possibilities that will convert your juice cafe, cocktail bar or cafeteria into a fully-fledged Juice Bar.

The following Manual refers to the model Multifruit.



Register your
Multifruit here

Zumex Multifruit User's Manual

Please read the instructions carefully in order to make the most of your machine.

GENERAL INDEX

- 3** ANNEX
- 8** IMPORTANT GENERAL INFORMATION
- 11** TECHNICAL FEATURES
- 12** INSTRUCTIONS FOR USE
 - 12** GENERAL DESCRIPTION
 - 13** PREPARATION
 - 14** OPERATION
 - 16** CLEANING
 - 20** ACCESSORIES
- 22** FAULT DETECTION
- 98** EU DECLARATION OF CONFORMITY

Zumex reserves the right to modify the information contained in this manual without prior notice.



Important General Information

- The specific particulars about your Zumex juicer (voltage, frequency and other data of interest) are stated on the Identification Label on the machine itself.
 - Remember that for any technical consultation you should get in touch with your usual Distributor/ Official Technical Assistance Service, always stating the Serial number of the machine's Identification Label.
 - In Spain Zumex adopts the measures required to ensure that the machines put into the market are subject to selective collection and have correct environmental management. Please get in touch with your authorised Zumex distributor to dispose of these machines correctly.
-
- If the power cable is damaged, it must be replaced by its manufacturer, by its after-sales service or by similar qualified personnel to avoid hazards.
 - Before cleaning the machine or carrying out any maintenance, always unplug from the mains.
 - This is not a toy, so prevent children from playing with the appliance.
 - This appliance can be used by children over the age of 8 or older, if they are supervised or if they have received instructions relating to the safe use of the appliance and they can understand the risks entailed. User cleaning and maintenance

must not be carried out by children, unless they are 8 years of age or older and they are supervised. Keep the appliance and its cable out of reach of children under the age of 8.

- This appliance can be used by people with impaired physical, sensorial or mental capacities or who lack experience or knowledge, if they are supervised or have received adequate training with respect to the safe operation of the appliance and they understand the risks entailed.
- Do not spray the appliance with water to clean it.
- When you clean, perform maintenance or replace parts, make sure that you have always unplugged the power cable from the socket and it is visible.
- Use the cutting elements with great care, to avoid possible cuts.
- The parts that are in contact with food must be cleaned according to the instructions that you can read in the cleaning chapter.
- Do not manipulate the machine in such a way that it works without safety elements.



· This appliance is intended to be used in household and similar applications such as:

- Staff kitchen areas in shops, offices and other working environments;
- Farm houses;
- By clients in hotels, motels and other residential type environments;
- Bed and breakfast type environments.

If you have any suggestion or comment to improve our machines or service network, please get in touch with Zumex directly at the address below:

 **ZUMEX GROUP, S.A.**

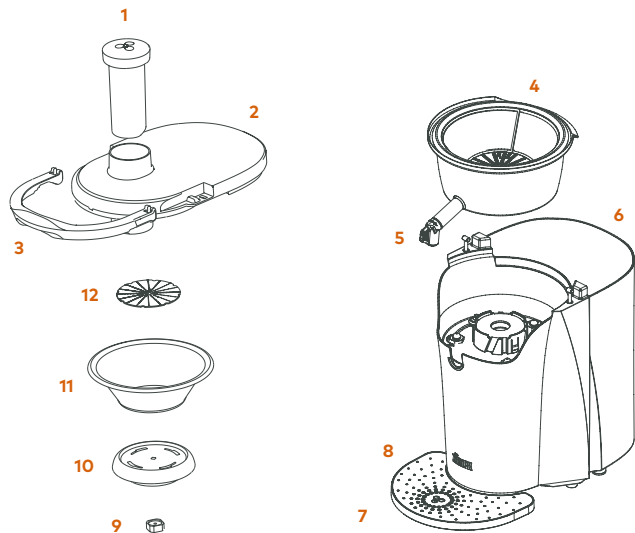
Polígono Ind. Moncada III C/Molí 2. 46113 Moncada. Valencia. Spain.
Tel. +34 961 301 251 Fax: +34 961 301 255
zumex@zumex.com / www.zumex.com

Technical features

Performance	120 Kg/h - 1.8 L/min
Speed	3.500 rpm 4.500 rpm
Power	870 W
Consumption	1.8 A
Voltage	220-240 V 50/60 Hz 115 V 60 Hz
Dimensions	29 x 50 x 51 cm 12" x 19" x 20"
Net weight	15 Kg 33 lb
Anti-humidity protection	IPX1
Sound pressure level	Less than 70 dB
Safety	Safety System and thermal protection
Maximum fruit size	75 mm



General Description



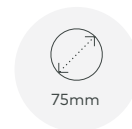
1 Pusher	5 Anti-drip Tap	9 Filter Driver Nut
2 Cover	6 Peel Bucket	10 Filter Driver
3 Locking Handle	7 Coaster	11 Filter
4 Stainless Steel Tank	8 Coaster Inox Trim	12 Grating Disk

Preparation

Setting up the juice extractor:

- 1 Remove the packaging and place the juice extractor on a flat surface.
- 2 Connect the supplied cord to the appliance and plug into a standardised earthed socket. **Fig.1**
- 3 Place the peel bucket as shown in **Fig.2**. To keep the peel bucket from getting dirty, you can line it with a bin bag, leaving the top of the bag hanging over the edges of the container.
- 4 Check that all parts affected by the safety cut-offs are correctly positioned otherwise the safety cut-offs will stop the appliance from working.

- ⚠ **Remember:** Given that the diameter of the fruit feeding tube is 75 mm, larger fruits should be cut up into smaller pieces. When the pieces of fruit are very much smaller than the conduct's diameter, you may process several together.





Operation

Preparing the fruit and vegetables:

- Always wash fruit and vegetables before processing them.
- Peel fruits with inedible or thick skins, such as melons, mangoes or kiwis, before juicing.
- Stone large-stoned fruits, such as peaches, plums or cherries, before juicing.
- Given that the diameter of the fruit feeding tube is 75mm., larger fruits should be cut up into smaller pieces. When the pieces of fruit are very much smaller than the feeding tube's diameter, you may process several together.
- Before using the multi-juicer for the first time, we recommend cleaning it. See "Cleaning" section.



Soft fruits and vegetables



Hard fruits and vegetables

Operation

- 1 Switch the machine on by putting the rear power switch on "I" (Fig 1). Place the waste bucket in the correct position, next to the rear of the machine. Take care! If your machine works at 115V and the LED flashes, the container has been placed incorrectly. Return to the "O" position and place the waste container on the rear wall of the blender. If the flashing continues, please get in contact with Technical Support (Fig 2).
- 2 Place a container under the juice outlet and select the required speed (1 or 2). In order to get the highest performance, the speed 1 is the one for soft fruit (e.g. apples, pineapples, watermelon, strawberries, grapes). The speed 2 is perfect for hard fruit or vegetables such as carrots, broccoli, celery, beetroot, etc. Once you have selected the speed, the machine will start to operate and the LED will stay on. (Fig 3).

- 3 Insert the fruit in the tube and press it with the pusher. You'll get juice instantly.
- 4 To stop the machine, turn the switch to the position "O". Remember that the machine will remain on stand-by until the rear power switch is "O" position.
- 5 To prevent the juice from dripping when not blending, activate the anti-drip tap by turning it 180° (Fig 4).

ⓘ **NOTA:** After the machine remains on "O" for a longtime, the internal cooling fan may start up and will make a quiet noise. This operation is completely normal.

ⓘ If the locking handle is lifted or the peel bucket removed during operation, the appliance will automatically stop (for 115V machines only). The appliance will also not work if the cover and locking handle are assembled without fitting the stainless steel tank.

If there is a power cut whilst the appliance is running, it will not automatically start up again once the power comes back on. To start up the machine, put the selector and the rear power switch on the "O" position. After re-connecting it or restoring the electrical power supply, you must start up the switching on process, returning to step 1.

To avoid accidents do not manipulate the machine in order to make it work without the security devices: handle, cover and peel bucket (for 115V machines only).

ⓘ **Attention!** Whenever there is an emergency stop, once the problem is solved, you must put the speed selector on "O" and then select the required speed.




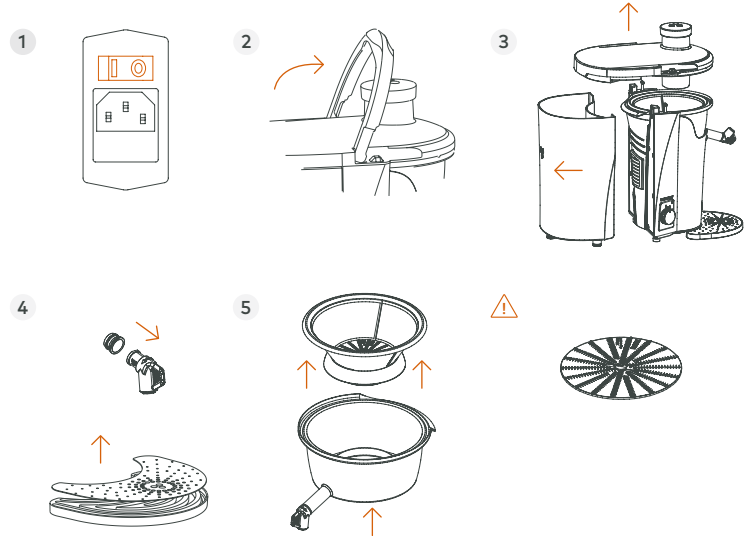
Cleaning

Zumex recommends cleaning the machine at least once or twice a day, depending on how much it is used in order to maintain optimal food hygiene conditions.

The following are the steps for correctly cleaning the juice extractor:

- 1 Put the rear switch on "0" and disconnect the machine from the power supply, by pulling the plug (do not pull the cable).
- 2 Remove the handle lifting it up from the front.
- 3 Remove the cover lifting it upwards and separate it from the peel bucket.
- 4 Dismantle the anti-drip tap and coaster.
- 5 Dismantle the grater-filter and the stainless steel tank assembly, by pulling the bucket upwards, following which they should come apart easily.

 **Attention!** Handle the grater-filter assembly carefully. Do not touch the sharp points of the grater as they could cut you.

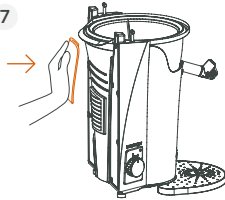




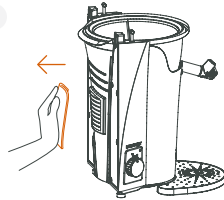
6



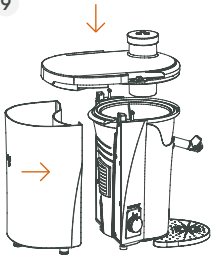
7



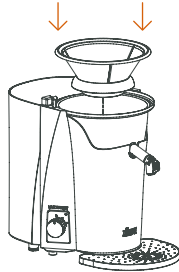
8



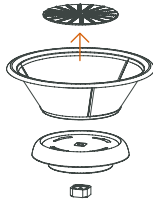
9



10



11



- 6 All these components are dishwasher safe. If pulp has dried on any component, we recommend you soak it in water and soap suitable for tableware until the pulp softens, after which it can be washed in the dishwasher.
- 7 Clean the outside of the appliance (motor housing) and the rubber areas that support the stainless steel tank, using a wet wipe. Afterwards, rinse with a damp cloth and clean water to remove all traces of soap.
- 8
- 9 When putting the grater-filter back, make sure it is correctly mounted, pushing it down firmly as far as it will go.
- 10 It is recommended to take apart the grating disk from the filter for an in depth cleaning procedure.
- 11 It is recommended to take apart the grating disk from the filter for an in depth cleaning procedure. To assemble, we recommend tightening the nut firmly help if needed with a spanner.

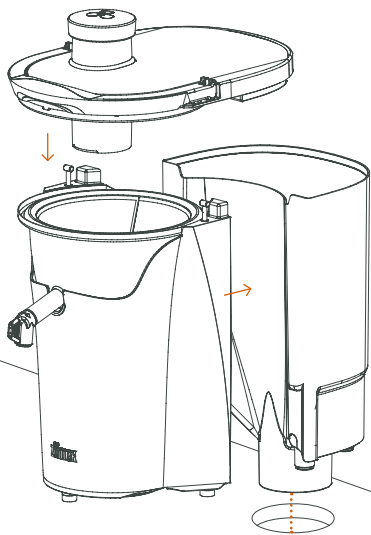
ATTENTION

To avoid dry pulp accumulating between uses, thus making cleaning more complicated, pour a jug of water through the fruit input opening with the appliance still running. This procedure can also be used to prevent flavours mixing when processing different fruits.



Accessories

What needs does your business have?



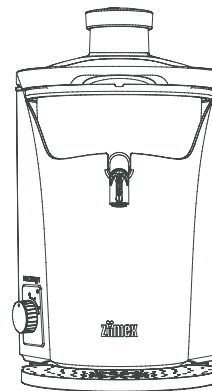
COUNTERTOP KIT

With the intensive use Countertop Kit, you will be able to continuously remove waste, **without having to empty the bin**. This makes is easier to use your multi-juicer and also offers greater autonomy.

Recipes

Multifruit recipes

Discover all the available recipes. Combine fruit and vegetables to obtain energy, antioxidant, detox cocktails, etc. Let your imagination fly and discover new cocktails, full of colour and flavour.



Discover the Multifruit recipe book
at www.zumex.com



Detecting faults and problems

FAULT	POSSIBLE CAUSE	CORRECTIVE MEASURE
THE MACHINE IS NOT WORKING. LED OFF	The machine is unplugged	Connect the machine to the power supply
	No power reaches the plug	Check the plug
	The fuse has blown	Replace (the machine includes a spare one next to the first one). Figure 1 detail
	The cover is not placed correctly	Make sure that it is placed correctly
	The handle is not placed correctly	Make sure that it is placed correctly
	Internal damage	Please contact Technical Support
THE MACHINE DOESN'T WORK THE LED IS FLASHING. (for 115V machines only)	The waste bucket is separated from the machine body	Put the waste bucket next to the machine, in the correct position
	Internal damage	Please contact Technical Support

FAULT	POSSIBLE CAUSE	CORRECTIVE MEASURE
THE MACHINE WORKS BUT THE LED IS OFF	Anomaly inside the machine	Please contact Technical Support
THE MACHINE OFTEN GETS BLOCKED WHEN JUICING	Not enough voltage	Check that the voltage is the one stated in the manual
THE MACHINE VIBRATES A LOT WHEN JUICING	Unbalanced filter because of the fruit	Disassemble the filter and clean it
THE JUICE HAS TOO MUCH PULP	The cover is full of waste	Disassemble the cover and clean it
	Blending soft fruit on speed 2	Use speed 1 for soft fruit and speed 2 for hard fruit
THE ANTI-DRIP OUTLET GETS OBSTRUCTED	The juice has pips or too much pulp	Remove the anti-drip and clean it. Use speed 1 for soft fruit and speed 2 for hard fruit

IMPORTANT

Always unplug the appliance from the power supply before carrying out any operations to unblock it or remove any obstructions. If, after following the troubleshooting advice contained in this manual, the appliance still does not work, contact the Technical Support Service.

ZUMEX SERVICE Tel. +44 2035191292 · service.uk@zumex.com



ZUMEX PRESENTA Power Becomes Healthy

Multifruit es la licuadora perfecta para extraer el mayor jugo posible de cualquier tipo de fruta y verdura. Con esta licuadora disfrutarás de una gran versatilidad gastronómica en la preparación de cualquier zumo, cóctel o batido que puedas imaginar, economizando tiempo, trabajo y materia prima.

Multifruit cuenta con la ingeniería más potente del mercado y es tan rápida como silenciosa, incorpora nuevas posibilidades que convertirán tu zumería, coctelería o cafetería en un auténtico Juice Bar.

El siguiente Manual hace referencia al modelo Multifruit.



Registra aquí
tu Multifruit

Zumex Multifruit Manual de Usuario

Por favor, lea detenidamente las instrucciones para sacarle el máximo rendimiento a su máquina.

ÍNDICE GENERAL

- 3 ANEXO
- 26 INFORMACIÓN GENERAL IMPORTANTE
- 29 CARACTERÍSTICAS TÉCNICAS
- 30 INSTRUCCIONES DE UTILIZACIÓN
 - 30 DESCRIPCIÓN GENERAL
 - 31 PREPARACIÓN
 - 32 FUNCIONAMIENTO
 - 34 LIMPIEZA
 - 38 ACCESORIOS
- 40 DETECCIÓN DE AVERÍAS
- 98 DECLARACIÓN DE CONFORMIDAD UE

Zumex se reserva el derecho a modificar sin previo aviso la información contenida en este manual.

Información General Importante

- Los datos específicos de su exprimidora Zumex (tensión, frecuencia y otros datos de interés), se encuentran en la Etiqueta de Identificación que encontrará en la propia máquina.
- Recuerde que para cualquier consulta técnica, debe ponerse en contacto con su Distribuidor habitual / Servicio de Asistencia Técnica Oficial, mencionando siempre el Número de Serie de la Etiqueta de Identificación de la máquina.
- En el territorio español Zumex adopta las medidas necesarias para que las máquinas puestas en el mercado sean recogidas de manera selectiva y tengan una correcta gestión ambiental. Por favor póngase en contacto con su distribuidor autorizado de Zumex para desechar correctamente estas máquinas.
- Si el cable de alimentación está dañado, debe ser sustituido por su fabricante, por su servicio posventa o por personal cualificado similar con el fin de evitar un peligro.
- Antes de proceder a la limpieza de la máquina o realizar cualquier mantenimiento, desconéctela siempre de la red.
- Los niños no deben jugar con el aparato.
- Este aparato puede ser utilizado por niños de 8 años o mayores, a condición de que sea bajo supervisión o que hayan recibido instrucciones relativas al uso del aparato de forma segura y que puedan entender los riesgos que entraña. La limpieza y mantenimiento del usuario no deben ser realizados

por niños, a menos que sean de 8 años o mayores y que sean supervisados. Mantener el aparato y su cable fuera del alcance de los niños menores de 8 años.

- Este aparato puede ser utilizado por personas cuyas capacidades físicas, sensoriales o mentales estén reducidas o tengan falta de experiencia y conocimiento, si son supervisados o han recibido una instrucción adecuada en lo que respecta al funcionamiento seguro del aparato y entiendan los riesgos que entraña.
- El aparato no debe ser limpiado con chorros de agua.
- Utilice los elementos de corte con mucho cuidado, para evitar posibles cortes.
- Durante la limpieza, mantenimiento o sustitución de partes asegúrese que siempre tiene la clavija del cable de alimentación retirada de la toma de corriente y visible.
- Las partes que están en contacto con alimentos deben ser limpiadas según las instrucciones que podrá leer en el capítulo de limpieza.
- No manipule la máquina para hacerla funcionar sin ningún elemento de seguridad.

- Este aparato está destinado a ser usado en el ámbito doméstico y similares aplicaciones como:
 - Zonas de cocina para personal en tiendas, oficinas u otros lugares de trabajo;
 - Granjas;
 - Por clientes en hoteles, moteles y otros ambientes residenciales;
 - Establecimientos del tipo "Alojamiento y desayuno".

Si tienen cualquier sugerencia o comentario para mejorar nuestras máquinas o red de servicio, le agradeceríamos que contactase directamente con Zumex en la siguiente dirección:

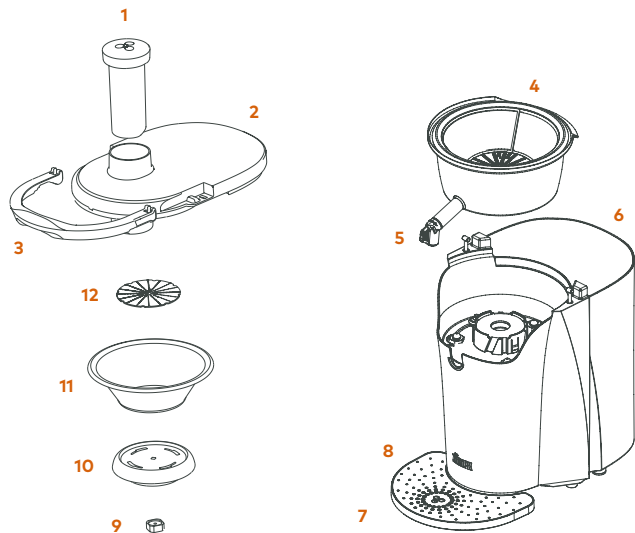
ZUMEX GROUP, S.A.

Polígono Ind. Moncada III C/Molí 2. 46113 Moncada. Valencia. España.
 Tel. +34 961 301 251 Fax: +34 961 301 255
 zumex@zumex.com / www.zumex.com

Características técnicas

Rendimiento	120 Kg/h - 1.8 L/min
Velocidad	3.500 rpm 4.500 rpm
Potencia	870 W
Consumo	1.8 A
Voltaje	220-240 V 50/60 Hz 115 V 60 Hz
Dimensiones	29 x 50 x 51 cm
Peso neto	15 Kg
Protección antihumedad	IPX1
Nivel presión acústica	Inferior a 70 dB
Seguridad	Sistema de detección de seguridad y protección térmica
Tamaño máximo de la fruta	75 mm

Descripción general



1 Empujador

5 Grifo Antigoteo

9 Tuerca arrastre filtro

2 Tapa

6 Cubo de residuos

10 Arrastre filtro

3 Asa cierre

7 Bandeja Posavasos

11 Filtro

4 Cubeta Inox

8 Embellecedor Inox
Bandeja Posavasos

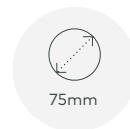
12 Disco rallador

Preparación

Para comenzar a licuar deberá seguir los siguientes pasos:

- 1 Desembale su licuadora y colóquela sobre una superficie lo más horizontal posible.
- 2 Conecte el cable suministrador a la máquina y a un enchufe normalizado provisto de toma de tierra, **Fig.1**
- 3 Sitúe el cubo de residuos tal como lo indica la **Fig. 2**. Para mantener el cubo de residuos limpio, se puede cubrir con una bolsa de basura, dejando que la parte superior de la bolsa cuelgue sobre los bordes del contenedor.
- 4 Asegúrese de que todos los elementos que actúan sobre los detectores de seguridad estén correctamente fijados, de lo contrario los detectores de seguridad de la máquina harán que esta no pueda ponerse en marcha.

! **Recuerde:** El tubo de alimentación de fruta tiene un diámetro 75 mm. En caso de utilizar fruta de mayor dimensión, deberá trocearla. Si el tamaño de la fruta es mucho menor que el diámetro del tubo, puede introducir varias a la vez.



Funcionamiento

Preparación de la fruta:

- Lave siempre la fruta y verdura antes de procesarla.
- Si utiliza fruta con piel o corteza no comestibles (p.e.: piña, sandía, mango, kiwi), se deberá pelar siempre antes de licuar.
- En frutas con huesos o pepitas de gran tamaño (p.e: melocotón, ciruela, cereza) estos se deben eliminar antes del licuado.
- Frutas de mayor tamaño que el orificio de alimentación (75 mm.) se deben trocear antes de licuar. Las de menor tamaño (75 mm.) se pueden licuar varias a la vez.
- Antes del primer uso te recomendamos que limpie la licuadora. Ver apartado de "Limpieza".



Funcionamiento

- 1 Encienda la máquina colocando el interruptor de encendido trasero en su posición "I" (**Fig 1**). Coloque el cubo de residuos en su posición correcta, pegada a la parte trasera de la máquina. ¡Atención! Si su máquina funciona a 115V, y el LED parpadea, el cubo está mal colocado. Vuelva a la posición de "O" y coloque el cubo de residuos pegado a la pared trasera de la licuadora. Si aún así persiste el parpadeo, consulte con el servicio técnico (**Fig 2**).
- 2 Ponga un recipiente bajo la salida de zumo y seleccione la posición deseada (1 o 2). Con el fin de obtener el máximo rendimiento, la velocidad 1 es la indicada para frutas blandas (por ejemplo: manzana, piña, sandía, fresa, uva). Mientras que la posición 2 para verduras duras como la zanahoria, el brócoli, el apio, la remolacha, etc. Una vez seleccionada la posición, la máquina empezará a funcionar permaneciendo el LED encendido (**Fig 3**).

- 3 Introduzca la fruta a licuar por el orificio de la tapa y presiónela con el empujador. Obtendrá zumo al instante.
- 4 Para parar la máquina, gire el botón interruptor hasta la posición "O". Recuerde que la máquina permanecerá en stand-by hasta que se coloque el interruptor de encendido trasero en posición "O".
- 5 Para evitar el goteo de zumo cuando no se esté licuando, accione el grifo antigoteo girándolo 180° (**Fig 4**).

⚠ **NOTA:** Es posible que, en ocasiones, tras permanecer la máquina durante un periodo prolongado de tiempo en posición "O", se produzca la activación del ventilador interior de refrigeración traduciéndose en un pequeño ruido. Este comportamiento es considerado un proceso normal de la máquina.

⚠ Cuando la máquina esté en funcionamiento, se producirá una parada de emergencia si se levanta el asa de cierre o se retira el cubo de residuos (sólo en 115V), la máquina tampoco se pondrá en marcha si se intenta hacer funcionar sin cubeta.

En caso de estar funcionando y producirse un corte en el suministro eléctrico, la máquina no se pondrá en marcha al restablecerse el fluido eléctrico. Para ponerla en funcionamiento ponga tanto el selector como el interruptor de encendido trasero en posición "O". Tras volverla a conectar o reestablecer el suministro eléctrico, iniciaremos de nuevo el proceso de encendido volviendo al paso 1.

⚠ Para evitar accidentes no manipule la máquina para hacerla funcionar sin los elementos de seguridad: asa, tapa y cubo de residuos (sólo en 115V).

⚠ **¡Atención!** En todos los casos de paro de emergencia, una vez subsanada la causa que provocó el paro, deberá poner el selector de velocidad en posición "O" y a continuación seleccionar la velocidad deseada.

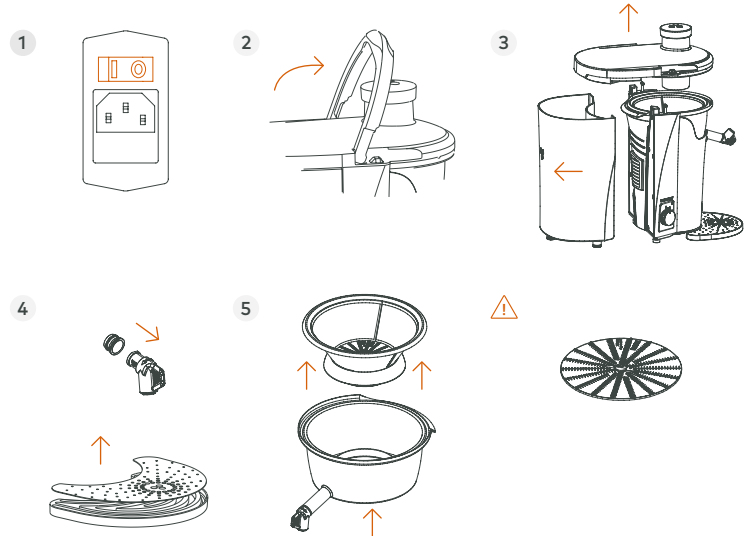
Limpieza

Zumex recomienda limpiar la máquina al menos 1 o 2 veces al día, dependiendo de su uso, para mantener las condiciones de higiene alimentarias.

Para una correcta limpieza deberá seguir los siguientes pasos:

- 1 Colocamos el interruptor trasero en posición "0" , desconéctela de la red tirando de la clavija (no tire nunca del cable).
- 2 Retire el asa levantándola de la parte delantera.
- 3 Desmonte la tapa levantándola hacia arriba y separe el cubo de residuos.
- 4 Desmonte el grifo y la bandeja antigoteo.
- 5 Desmonte el conjunto formado por el filtro rallador y la cubeta, para ello tire de la cubeta hacia arriba. Una vez desmontado el conjunto, podrá separar fácilmente ambos elementos.

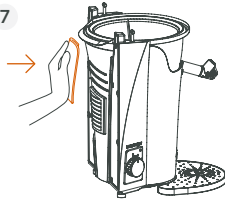
⚠ ¡Atención! Maneje el conjunto filtro rallador con extremo cuidado. No toque la puntas afiladas del rallador, ya que podría cortarse.



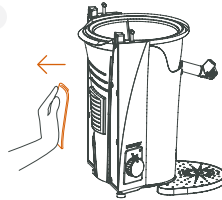
6



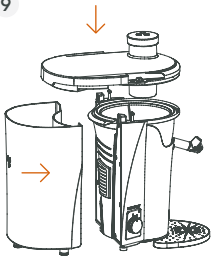
7



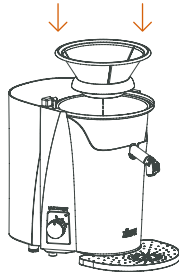
8



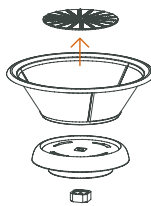
9



10



11



- 6 Todas las piezas pueden introducirse en lavavajillas. En caso de que la pulpa esté seca y adherida a las piezas, es recomendable sumergirlas en una solución de agua y jabón apto para vajillas hasta que los restos de pulpa se reblandezcan. A continuación podrá introducir las piezas en el lavavajillas.
- 7 La limpieza del exterior de la máquina (grupo motor) y de la zona de goma donde apoya la cubeta, deberá hacerla usando una bayeta húmeda.
- Después aclare con un paño humedecido con agua limpia hasta que no queden restos de jabón y asegúrese de dejar la superficie de la goma completamente seca.
- 8 Una vez terminado el proceso de limpieza, deberá montar todos los elementos en orden inverso a su desmontaje. Asegúrese de que todas las piezas están correctamente ensambladas y sujetas.
- 9 Cuando coloque el filtro rallador, asegúrese de que encaje correctamente presionando fuertemente hacia abajo, hasta que note que llega hasta fondo.
- 10 Se recomienda separar regularmente el rallador del filtro para una limpieza más a fondo de éstos. Al montarlo de nuevo, se recomienda apretar firmemente la tuerca ayudándose si fuera necesario con una llave inglesa.
- 11

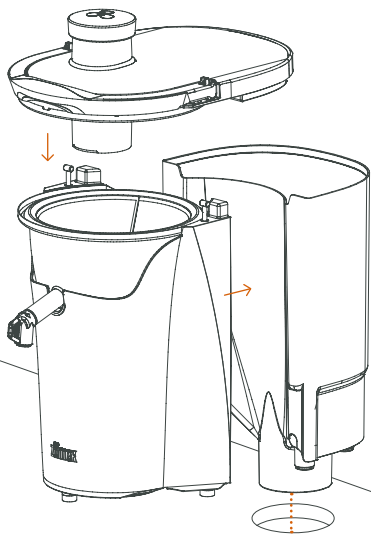
RECUERDE

Para evitar que la pulpa se seque entre los periodos de utilización de la máquina, complicando así la limpieza de las piezas, vierta lentamente una jarra de agua por el orificio de entrada de la fruta con la máquina en funcionamiento. Este procedimiento lo puede aplicar también para evitar la mezcla de sabores cuando licue distintas variedades de frutas.



Accesorios

¿Cuáles son las necesidades de tu negocio?



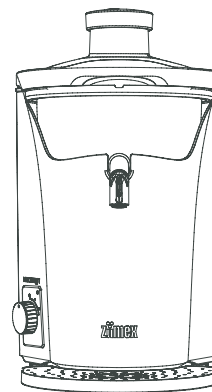
KIT CONTRABARRA

Con el Kit Contrabarra para un uso intensivo, podrás desalojar los desechos de forma continuada, **sin necesidad de vaciar la cubeta**, facilitando el uso de tu licuadora y ofreciéndote una mayor autonomía.

Recetas

Recetas Multifruit

Descubre todas las recetas a tu alcance. Combina frutas y verduras para obtener combinaciones energéticas, antioxidantes, detox... Deja volar tu imaginación y descubre nuevas combinaciones llenas de color y sabor.



Descubre el recetario de Multifruit
en www.zumex.com



Detección de averías

AVERÍA	CAUSA POSIBLE	CORRECCIÓN
LA MÁQUINA NO FUNCIONA. EL LED ESTÁ APAGADO	Máquina desenchufada	Conéctela a la red
	No llega corriente al enchufe	Compruebe el enchufe
	Fusible fundido	Sustituir (la máquina incluye uno de reserva junto al otro) Detalle Fig. 1
	Tapa mal colocada	Asegúrese de su correcta colocación
	Asa mal colocada	Asegúrese de su correcta colocación
	Avería interma	Avisar al Servicio Técnico
LA MÁQUINA NO FUNCIONA. EL LED PARPADEA (Sólo para máquinas de 115V)	Cubo de residuos separado del cuerpo de la máquina	Poner cubo de residuos junto a la máquina en su posición correcta
	Avería interma	Avisar al Servicio Técnico

AVERÍA	CAUSA POSIBLE	CORRECCIÓN
LA MÁQUINA SI FUNCIONA PERO EL LED ESTÁ APAGADO	Anomalía en el interior de la máquina	Avisar al Servicio Técnico
LA MÁQUINA SE BLOQUEA A MENUDO EN EL MOMENTO DE LICUAR	Tensión de red insuficiente	Comprobar que la tensión sea la indicada en el manual
LA MÁQUINA VIBRA MUCHO AL LICUAR	Filtro desequilibrado por fruta	Desmontar filtro y limpiar
ZUMO CON EXCESO DE PULPA	Tapa llena de residuos	Desmontar tapa y limpiar
	Licando fruta blanda con velocidad 2	Utilizar velocidad 1 para fruta blanda, y velocidad 2 para fruta dura
EL GRIFO SE OBSTRUYE/ GOTEA	El zumo tiene semillas o exceso de pulpa	Extraer antigoteo y limpiar. Utilizar velocidad 1 para fruta blanda y velocidad 2 para fruta dura

ATENCIÓN

Cualquier acción para desbloquear la máquina debe realizarse desconectando la misma de la red. Si después de realizar las comprobaciones aquí mencionadas la máquina no funciona, llame al servicio técnico.

ZUMEX SERVICE Tel.+34 96 080 0999 · service@zumex.com



ZUMEX PRÉSENTE Power Becomes Healthy

Multifruit est la centrifugeuse idéale qui extrait tout le jus de n'importe quel fruit ou légume. Grâce à cette centrifugeuse, vous profiterez de multiples possibilités culinaires pour préparer tous les jus, cocktails ou smoothies imaginables, et ce, en économisant du temps, du travail et des matières premières.

Multifruit est dotée de la technologie la plus puissante du marché. Aussi rapide que silencieuse, elle présente des nouveautés qui feront de votre bar à jus, à cocktails ou de votre cafétéria un véritable Juice Bar.

Le Manuel suivant se réfère aux modèles suivants Multifruit.



Enregistrez votre
Multifruit ici

Zumex Multifruit Manuel de l'utilisateur

Veillez lire attentivement les instructions pour tirer maximum de profit de votre machine.

INDEX GÉNÉRAL

- 3** ANNEXE
- 44** IMPORTANTE INFORMATION GÉNÉRALE
- 47** CARACTÉRISTIQUES TECHNIQUES
- 48** INSTRUCTIONS D'UTILISATION
 - 48** DESCRIPTION GÉNÉRALE
 - 49** PRÉPARATION
 - 50** FONCTIONNEMENT
 - 52** NETTOYAGE
 - 56** ACCESSOIRES
- 58** DÉTECTION DE PANNES ET CONSEILS
- 98** EU DÉCLARATION DE CONFORMITÉ

Zumex se réserve le droit de modifier sans avis préalable l'information contenue dans ce manuel.

Information Générale Importante

· Les données spécifiques de votre presse-agrumes Zumex (tension, fréquence et autres données intéressantes) se trouvent sur l'étiquette d'identification que vous trouverez sur la machine en question.

· Rappelez-vous qu'en cas de contrôle technique, vous devrez entrer en contact avec votre Distributeur habituel / Service d'Assistance Technique Officiel, en lui précisant bien le Numéro de Série de l'Étiquette d'Identification de la machine.

· Zumex adopte, sur le territoire espagnol, les mesures nécessaires pour que les machines mises sur le marché soient recueillies de façon sélective et aient une bonne gestion de l'environnement. Veuillez entrer en contact avec votre distributeur autorisé de chez Zumex pour qu'il se débarrasse correctement de ces machines.

· Si le câble d'alimentation est endommagé, veuillez le faire remplacer par le fabricant, le service après-vente ou du personnel qualifié afin de prévenir tout danger.

· Avant de nettoyer la machine ou de procéder à son entretien, veuillez à la débrancher.

· Les enfants ne doivent pas jouer avec l'appareil.

· Cet appareil peut être utilisé par des enfants de 8 ans ou plus, à condition que ce soit sous surveillance ou qu'ils aient reçu des instructions sur l'utilisation de l'appareil en toute sécurité et qu'ils puissent comprendre les risques encourus. Le nettoyage

et l'entretien ne doivent pas être réalisés par des enfants à moins qu'ils aient 8 ans ou plus et qu'ils soient sous surveillance. Tenir l'appareil et son câble d'alimentation hors de portée des enfants de moins de 8 ans.

· Cet appareil peut être utilisé par des personnes dont les capacités physiques, sensorielles ou mentales sont réduites ou par des personnes manquant d'expérience et de connaissances pourvu qu'elles soient sous surveillance ou qu'elles aient reçu les instructions adéquates quant au fonctionnement de l'appareil en toute sécurité et qu'elles comprennent les risques encourus.

· L'appareil ne doit pas être nettoyé au jet d'eau.

· Pendant le nettoyage, l'entretien ou le remplacement des éléments de la machine, veillez à ce que le câble d'alimentation soit toujours débranché et bien visible.

· Manipulez les éléments de coupe avec soin afin d'éviter toutes coupures.

· Les éléments en contact avec les aliments doivent être nettoyés conformément aux instructions indiquées dans le chapitre "nettoyage".



- Ne manipulez pas la machine pour la faire fonctionner sans aucun élément de sécurité.
- Cet appareil est destiné à être utilisé dans un espace domestique et pour des applications similaires comme :
 - Espaces de cuisine pour le personnel des magasins, bureaux ou autres lieux de travail.
 - Exploitations agricoles.
 - Par des clients dans les hôtels, motels et autres établissements résidentiels.
 - Établissements de type "Bed & Breakfast".

Si vous avez des suggestions ou des commentaires à faire pour améliorer nos machines ou notre réseau de services, nous vous prions de vous adresser directement à Zumex à l'adresse suivante:

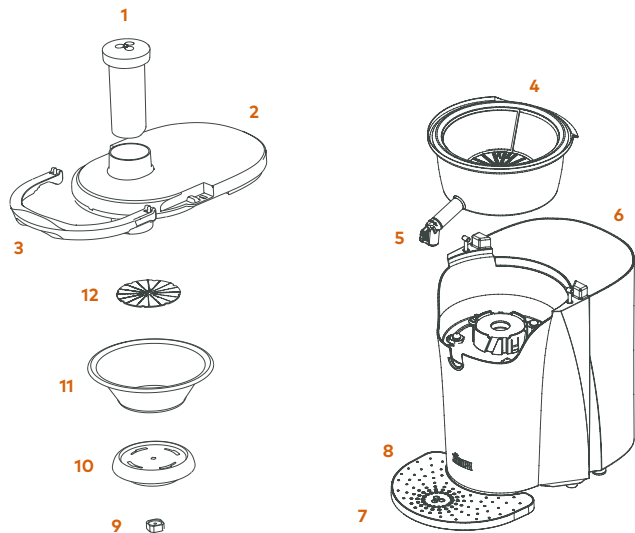
 **ZUMEX GROUP, S.A.**

Polígono Ind. Moncada III C/Molí 2. 46113 Moncada. Valencia. Espagne.
Tel. +34 961 301 251 Fax: +34 961 301 255
zumex@zumex.com / www.zumex.com

Caractéristiques Techniques

Performance	120 Kg/h - 1.8 L/min
Vitesse	3.500 rpm 4.500 rpm
Puissance nominale	870 W
Consommation	1.8 A
Tension	220-240 V 50/60 Hz 115 V 60 Hz
Dimensions	29 x 50 x 51 cm 12" x 19" x 20"
Poids Net	15 Kg 33 lb
Protection anti-humidité	IPX1
Niveau de pression acoustique	inférieur à 70 dB
Sécurité	Système de détection de sécurité et protection thermique
Taille maximale du fruit	75 mm

Description Générale



1 Poussoir	5 Robinet anti-goutte	9 Vis fixation filtre
2 Couvercle	6 Poubelle	10 Fixation filtre
3 Anse de fermeture	7 Plateau repose-verres	11 Filtre
4 Cuve inox	8 Enjolveur inox Plateau repose-verre	12 Disque râpe

Préparation

Pour commencer à centrifuger, effectuer les opérations suivantes:

- 1 Déballiez votre centrifugeuse et placez-la sur une superficie la plus horizontale possible.
- 2 Branchez le fil électrique à l'appareil et à une prise normalisée pourvue d'une prise de terre. **Fig.1**
- 3 Situez la poubelle à déchets comme indiqué sur la **Fig. 2**. Vous pouvez introduire un sac dans la poubelle, qui dépasse sur les côtés. Cela vous évitera de la laver ensuite.
- 4 Vérifiez que tous les éléments qui agissent sur les détecteurs de sécurité sont correctement fixés, dans le cas contraire les détecteurs de sécurité de l'appareil feront en sorte que celui-ci ne se mette en marche.

- !** **N'oubliez pas:** Le tube d'alimentation de fruits a un diamètre de 75 mm. En cas d'utilisation des fruits de plus grande dimension, vous devrez les couper en morceaux. Si la taille des fruits est beaucoup plus petite que le diamètre du tube, vous pouvez en introduire plusieurs à la fois.



Fonctionnement

Préparation des fruits et légumes:

- Lavez toujours les fruits et les légumes avant de les utiliser.
- Si vous utilisez des fruits dont la peau ou l'écorce n'est pas comestible (comme la pastèque, la mangue ou le kiwi), épluchez-les toujours avant de les centrifuguer.
- Pour les fruits à noyau ou pépins de grande taille (comme la pêche, la prune ou la cerise), retirez les noyaux ou pépins avant de centrifuguer les fruits.
- Les fruits dont la taille est supérieure à la taille de l'orifice d'alimentation (>75mm.) doivent être coupés avant d'être centrifugés. Pour les fruits plus petits (<75mm.), vous pouvez en centrifuguer plusieurs à la fois.
- Nous vous recommandons de laver la centrifugeuse avant la première utilisation. Consultez le paragraphe « Nettoyage »



Operation

- 1 Mettre en marche la machine en mettant l'interrupteur de mise en marche situé dans la partie l'arrière dans la position "I". Placez le seau à déchets dans sa position correcte, dans la partie arrière de la machine. Attention! Si votre appareil fonctionne sous 115V et que la LED clignote, le bac est mal positionné. Revenez à la position "O" (Fig.3) et positionnez le bac à déchets correctement plaqué contre la paroi arrière de la centrifugeuse. Si le clignotement continue, consultez le service technique.
- 2 Mettez un récipient au niveau de la sortie du jus et sélectionnez la position souhaitée (1 ou 2). Afin d'obtenir le rendement maximal, la position 1 est celle indiquée pour les fruits tendres (par exemple: pomme, ananas, pastèque, fraise, raisin). Tandis que la position 2 est celle pour les légumes durs comme la carotte,

le brocoli, le céleri, la betterave, etc. Une fois la vitesse sélectionnée, la machine commencera à fonctionner et le LED restera allumé en permanence.

- 3 Introduisez les fruits à mixer par l'orifice du couvercle et pressez-les avec le poussoir. Vous obtiendrez le jus instantanément.
- 4 Pour arrêter la machine, placez le bouton interrupteur sur la position "O". Notez que la machine restera en Stand-by jusqu'à ce que l'interrupteur de mise en marche situé à l'arrière soit placé en position "O".
- 5 Pour éviter l'égouttement de jus lorsque l'appareil n'est pas en train de mixer, actionnez le robinet anti-égouttement en le tournant à 180°(Fig 4).

- ⓘ **NOTE:** Après avoir laissé durant une période prolongée la machine en position "O", il est parfois possible que le ventilateur intérieur de réfrigération se mette en marche en produisant un petit bruit. Ce comportement est considéré comme un processus normal de la machine.
 - ⓘ Lorsque la machine est en marche, un arrêt d'urgence se produira si l'anse de fermeture est levée ou si le réservoir à déchets est retiré (115V uniquement). La machine ne se mettra pas non plus en marche si vous essayez de la faire fonctionner sans la cuve. Si la machine est en marche et qu'une coupure de courant survient, la machine ne se rallumera pas lorsque le courant sera rétabli. Pour la remettre en marche, positionnez le sélecteur sur la position OFF et après quelques secondes d'attente, sélectionnez la vitesse souhaitée. Pour la mettre en marche, mettez le sélecteur et l'interrupteur de mise en marche situé à l'arrière sur la position "O". Après l'avoir rebranchée ou avoir rétabli l'alimentation électrique, recommencez le processus de mise en marche en retournant à l'étape 1.
 - ⓘ Pour éviter des accidents, ne manipulez pas la machine pour la faire fonctionner sans les éléments de sécurité: anse, couvercle et réservoir à déchets (115V uniquement).
- Attention!** Dans tous les cas d'arrêt d'urgence, une fois résolue la cause qui a provoqué l'arrêt, vous devez mettre le sélecteur de vitesse dans la "O" et choisir ensuite la vitesse souhaitée.

Nettoyage

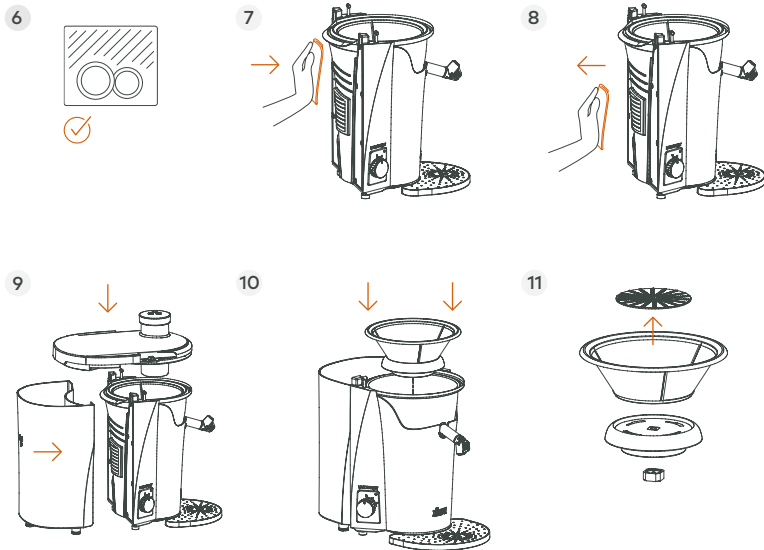
Zumex recommande de nettoyer la machine au moins 1 à 2 fois par jour, en fonction de son utilisation, afin de préserver les conditions d'hygiène alimentaire.

Pour un nettoyage correct, vous devez effectuer les opérations suivantes:

- 1 L'appareil étant à l'arrêt, débranchez-le en tirant sur la fiche électrique (ne tirez jamais sur le fil lui-même).
- 2 Retirez l'anse en la levant de la partie avant.
- 3 Soulevez le couvercle vers le haut et séparez la poubelle.
- 4 Démontez le robinet et le repose verre.
- 5 Démontez l'ensemble formé par le filtre-tamis et la cuve inox, pour cela tirez la cuve inox vers le haut. Une fois que l'ensemble est démonté, vous pourrez facilement séparer les deux éléments.

⚠ Attention! Maniez l'ensemble filtre-tamis avec beaucoup de soin. Ne touchez pas les pointes affilées du tamis, car vous pourriez vous couper.





- 6 Toutes les pièces peuvent être mises au lave-vaisselle pour être nettoyées. Si la pulpe est sèche et collée aux pièces, il est recommandé de les plonger dans une solution d'eau et de savon jusqu'à ce que les restes de pulpe se ramollissent. Ensuite, vous pourrez mettre les pièces dans le lave-vaisselle.
- 7 Le nettoyage de l'extérieur de l'appareil (bloc moteur) et de la zone de caoutchouc sur laquelle s'appuie la cuve inox, devra être réalisé avec un chiffon humide.
- 8 Ensuite, rincez avec un tissu humidifié dans de l'eau propre jusqu' à élimination des restes de savon.
- 9 Une fois le nettoyage terminé, vous devrez remonter tous les éléments dans l'ordre inverse à celui du démontage. Vérifiez que toutes les pièces sont correctement assemblées et fixées.
- 10 Quand vous placez le filtre-tamis, vérifiez qu'il s'emboîte correctement, en pressonnant vers le bas, jusqu'à ce que vous sentiez qu'il arrive jusqu'au fond.
- 11 Il est recommandé de séparer régulièrement la râpe du filtre pour nettoyer plus en profondeur ces éléments. Remontez ensuite les pièces en suivant les instructions. Lors du montage, il est recommandé de serrer fermement l'écrou à l'aide d'une clé si nécessaire.

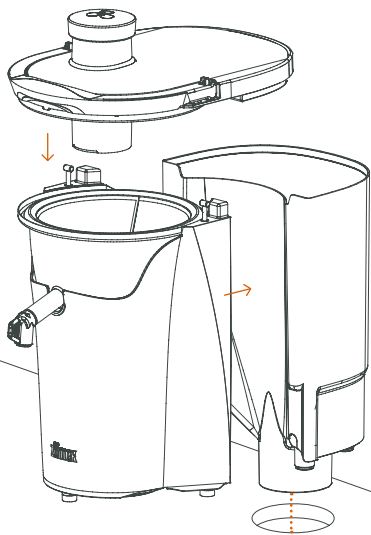
N'OUBLIEZ PAS

Pour éviter que la pulpe sèche entre les périodes d'utilisation de l'appareil, compliquant ainsi le nettoyage des pièces, versez lentement un pichet d'eau par l'orifice d'entrée des fruits avec l'appareil en marche. Ce processus peut être appliqué aussi pour éviter le mélange de goûts quand vous centrifugez différentes variétés de fruits.



Accessoires

Quels sont les besoins de votre activité ?



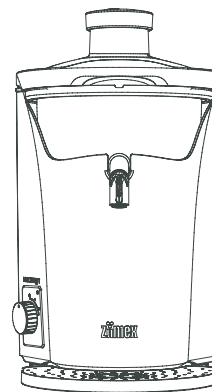
KIT COMPTOIR

Grâce à ce kit prévu pour un usage intensif, vous pourrez éliminer les déchets de façon continue **sans avoir à vider le bac**, ce qui facilitera l'utilisation de votre centrifugeuse et lui confèrera une meilleure autonomie.

Recettes

Recettes Multifruit

Découvrez toutes les recettes disponibles. Faites vos mélanges de fruits et de légumes pour obtenir des boissons énergétiques, antioxydantes ou détox... Donnez libre cours à votre imagination et découvrez de nouvelles alliances de couleurs et de saveurs.



Découvrez le livre de recettes Multifruit
sur www.zumex.com

Détection des pannes

PANNE	CAUSE POSSIBLE	SOLUTION
LA MACHINE NE FONCTIONNE PAS. LE VOYANT LUMINEUX EST ÉTEINT	Machine débranchée	La brancher sur le réseau
	Le courant n'arrive pas à la prise	Vérifiez la prise
	Fusible fondu	Remplacer (la machine comprend un fusible de réserve qui se trouve à côté du premier) Détail Fig. 1
	Poignée mal positionnée	Assurez-vous qu'elle soit correctement mise en place
	Couvercle mal positionnée	Assurez-vous qu'elle soit correctement mise en place
	Panne interne	Alerter le service technique
LA MACHINE NE FONCTIONNE PAS. LE VOYANT LUMINEUX CLIGNOTE (115V uniquement)	Seau à déchets séparé du corps de la machine	Mettre le seau à déchets sur la machine dans sa position correcte
	Panne interne	Alerter le service technique

PANNE	CAUSE POSSIBLE	SOLUTION
LA MACHINE FONCTIONNE, MAIS LE VOYANT LUMINEUX EST ÉTEINT	Panne à l'intérieur de la machine	Alerter le service technique
LA MACHINE SE BLOQUE SOUVENT AU MOMENT DE MIXER	Tension de réseau insuffisante	Vérifier que la tension indiquée est celle indiquée sur le manuel
LA MACHINE VIBRE BEAUCOUP LORS DE L'EXTRACTION DU JUS	Filtre déséquilibré par les fruits	Démonter le filtre et nettoyer
JUS AVEC EXCÈS DE PULPE	Couvercle rempli de déchets	Démonter le couvercle et nettoyer
	Mixage de fruits tendres en vitesse 2	Utiliser la vitesse 1 pour les fruits tendres et la vitesse 2 pour les fruits durs
LE JUS A DES GRAINES OU UN EXCÈS DE PULPE	Le jus a des graines ou un excès de pulpe	Extraire le robinet antiégouttement et le nettoyer. Utiliser la vitesse 1 pour les fruits tendres et la vitesse 2 pour les fruits durs

IMPORTANT

Toute action pour débloquer l'appareil doit être effectuée en débranchant l'appareil du courant électrique. Si après avoir réalisé les vérifications mentionnées cidessus l'appareil ne fonctionne pas, appelez le service technique.

ZUMEX PRÄSENTIERT
Power Becomes Healthy

Multifruit ist der perfekte Entsafter für jede Art von Obst und Gemüse. Dieser Entsafter bietet vielfältige Einsatzmöglichkeiten für die Zubereitung von Säften, Cocktails oder Shakes bei geringem Aufwand von Zeit, Arbeitsleistung und Rohstoffen.

Multifruit ist im Marktvergleich besonders leistungsstark, schnell und geräuscharm. Das Gerät bietet neue Möglichkeiten, die aus Ihrer Saftbar, Ihrer Cocktail-Bar oder Ihrem Café eine echte Juice Bar machen.

Diese Bedienungsanleitung bezieht sich auf das Modell Multifruit.



Multifruit hier
registrieren

Zumex Multifruit

Bedienungsanleitung

Bitte lesen Sie die Bedienungsanleitung sorgfältig durch, um die maximale Leistung Ihrer Maschine zu erzielen.

INHALTSVERZEICHNIS

- 3** ABBILDUNGEN
- 62** ALLGEMEINE WICHTIGE HINWEISE
- 65** TECHNISCHE EIGENSCHAFTEN
- 66** BEDIENUNGSANLEITUNG
 - 66** ALLGEMEINE BESCHREIBUNG
 - 67** VOR DER INBETRIEBNAHME
 - 68** BEDIENUNG
 - 70** REINIGUNG
 - 74** ZUBEHÖR
- 76** FEHLERSUCHE UND FEHLERBEHEBUNG
- 98** EU-KONFORMITÄTSERKLÄRUNG

Zumex behält sich das Recht vor, die in dieser Bedienungsanweisung angeführten Informationen ohne vorherige Ankündigung zu ändern.

Allgemeine Wichtige Hinweise

- Die für Ihre Zumex - Saftpresse spezifischen Daten (Spannung, Frequenz und andere wichtige Daten) befinden sich auf der Identifikationsetikette des Gerätes.
- Bitte wenden Sie sich für alle technischen Fragen an Ihren Vertragshändler / den offiziellen technischen Kundendienst und geben Sie dabei stets die Seriennummer des Identifikationsetiketts auf dem Gerät an.
- Innerhalb des spanischen Staatsgebietes trifft Zumex die erforderlichen Maßnahmen für eine selektive Rücknahme der auf den Markt gebrachten Geräte und sorgt für eine umweltfreundliche Weiterbehandlung. Setzen Sie sich bitte für eine korrekte Entsorgung der Geräte mit einem Vertragshändler von Zumex in Verbindung.
- Bei Beschädigung des Netzkabels ist dieses vom Hersteller, dem Kundendienst oder entsprechend geschulten Fachleuten auszutauschen, um mögliche Gefahren zu vermeiden.
- Vor Reinigungs- oder Wartungsmaßnahmen ist die Maschine immer vom Stromnetz zu trennen.
- Kinder dürfen mit dem Gerät nicht spielen.
- Dieses Gerät darf von Kindern ab 8 Jahren bedient werden, sofern sie von Erwachsenen beaufsichtigt werden oder eine Einweisung in die sichere Gerätebedienung unter verständlicher Erklärung der damit verbundenen Risiken erfolgt ist. Reinigungs- und Wartungsmaßnahmen dürfen

von Kindern unter 8 Jahren nicht und von Kindern ab 8 Jahren nur unter Aufsicht durchgeführt werden. Gerät und Kabel dürfen für Kinder unter 8 Jahren nicht zugänglich sein.

- Dieses Gerät darf von Personen mit eingeschränkten physischen, sensorischen oder mentalen Fähigkeiten oder mangelnder Erfahrung und fehlenden Kenntnissen nur unter Aufsicht bedient werden oder erst nachdem eine sachdienliche Einweisung in die sichere Gerätebedienung unter verständlicher Erklärung der damit verbundenen Risiken erfolgt ist.
- Das Gerät darf nicht mit Wasserstrahl gereinigt werden.
- Achten Sie darauf, dass bei Reinigung, Wartung oder Austausch von Teilen der Stecker des Netzkabels gut sichtbar vom Netzanschluss getrennt ist.
- Gehen Sie zur Vermeidung von Schnittverletzungen mit den Schneideteilen besonders vorsichtig um.
- Die Teile, die mit Nahrungsmitteln in Berührung kommen, sind nach den Anweisungen im Abschnitt Reinigung zu säubern.
- Nehmen Sie keine Eingriffe an der Maschine für eine Funktionsweise ohne Sicherheitsvorrichtungen vor.



· Dieses Gerät wurde für die Verwendung in Haushalten und ähnlichen Umfeldern entwickelt, zum Beispiel:

- Küchenbereiche für Arbeitnehmer von Geschäften, Büros oder sonstigen Arbeitsstätten
- Bauernhöfe
- Selbstbedienung durch Gäste in Hotels, Motels und sonstigen Unterkünften
- Einrichtungen vom Typ "Bed & Breakfast"

Falls Sie Empfehlungen oder Kommentare zur Verbesserung unserer Geräte oder des Servicenetzes haben, so wenden Sie sich bitte direkt unter der folgenden Anschrift an Zumex:

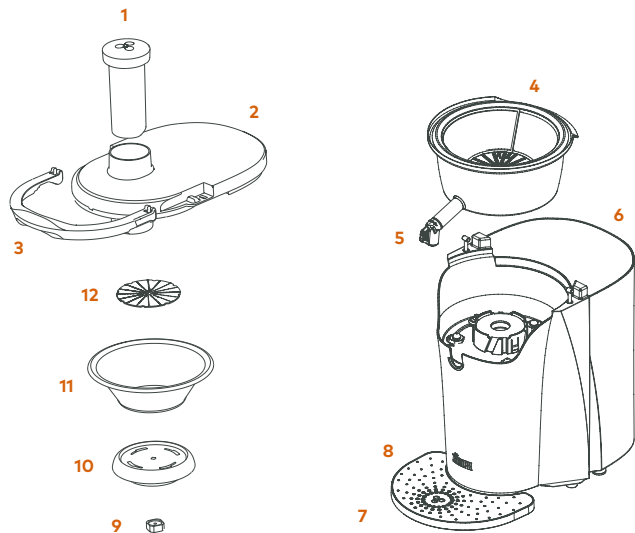
 **ZUMEX GROUP, S.A.**

Polígono Ind. Moncada III C/Molí 2. 46113 Moncada. Valencia. Spanien.
Tel. +34 961 301 251 Fax: +34 961 301 255
zumex@zumex.com / www.zumex.com

Technische Eigenschaften

Leistung	120 Kg/h - 1.8 L/min
Geschwindigkeit	3.500 UpM 4.500 UpM
Nominalleistung	870 W
Stromverbrauch	1.8 A
Spannung	220-240 V 50/60 Hz 115 V 60 Hz
Abmessungen	29 x 50 x 51 cm 12" x 19" x 20"
Nettogewicht	15 Kg 33 lb
Feuchtigkeitsschutz	IPX1
Geräuschpegel	Unter 70 dB
Sicherheit	Sicherheitserkennungs- und Hitzeschutzsystem
Maximale Fruchtgröße	75 mm

Allgemeine Beschreibung



1 Druckstab

5 Antitropf-Hahn

9 Schleppmutter des Filters

2 Deckel

6 Restbehälter

10 Filterlaufwerk

3 Verschlussgriff

7 Abstellplatte

11 Filter

4 Inox-Küvette

 8 Inox-Verkleidung
der Abstellplatte

12 Raspelscheibe

Vor der Inbetriebnahme

Bevor Sie mit dem Auspressen beginnen, führen Sie bitte folgende Schritte aus:

- 1 Packen Sie den Entsafter aus und stellen Sie ihn auf eine möglichst ebene Fläche.
- 2 Über das mitgelieferte Kabel verbinden Sie die Maschine mit einer geerdeten Standardsteckdose, Abb. 1.
- 3 Befestigen Sie den Abfallbehälter wie auf Abb. 2 dargestellt. Sie können in den Abfallbehälter einen Müllbeutel legen und zwar so, dass er an den Seiten leicht übersteht. So verhindern Sie, dass der Behälter schmutzig wird.
- 4 Vergewissern Sie sich, dass alle Elemente, die mit den Sicherheitsdetektoren verbunden sind, korrekt befestigt sind, da sonst die Sicherheitsdetektoren der Maschine verhindern, dass diese in Betrieb gesetzt wird.

- ⚠ **Beachten Sie:** Der Einfüllschacht hat einen \varnothing von 75 mm. Wenn Sie Früchte mit einem größeren Durchmesser verwenden möchten, schneiden Sie diese klein. Wenn die Früchte viel kleiner sind, können Sie mehrere Früchte gleichzeitig einfüllen.



75mm

Bedienung

Vorbereitung des Obsts oder Gemüses:

- Waschen Sie das Obst oder Gemüse vor der Verarbeitung.
- Entfernen Sie die Schale bzw. nicht essbare Teile des Obsts oder Gemüses (z. B.: Wassermelone, Mango, Kiwi) vor der Verarbeitung.
- Enthält das Obst oder Gemüse Kerne oder große Steine (z. B.: Pfirsiche, Pflaumen, Kirschen) müssen Sie diese vor der Verarbeitung entfernen.
- Obst oder Gemüse, das größer ist als die Zufuhröffnung (> 75 mm), muss vor der Verarbeitung zerkleinert werden. Bei kleinerem Obst oder Gemüse (< 75 mm) können Sie mehrere Stücke gleichzeitig verarbeiten.
- Vor der ersten Inbetriebnahme empfehlen wir, den Entsafter zu reinigen. Siehe Abschnitt "Reinigung".



Weichere Früchte
und Gemüse



Härteres Früchte
und Gemüse

Operation

- 1 Stellen Sie das Gerät an, indem Sie den Schalter an der Rückseite auf die Position "I" (**Abb. 1**) stellen. Bringen sie den Rückstandbehälter, der sich an der Rückseite des Geräts befindet, in die richtige Position. Achtung! Wenn Ihr Gerät mit 115V läuft und die LED Anzeige blinkt, ist der Behälter nicht richtig eingesetzt. Stellen Sie das Gerät in den 0 und setzen Sie den Behälter so ein, dass er an der Rückwand der Saftpresse anliegt. Sollte das Licht weiterhin blinken, so setzen Sie sich mit dem technischen Kundendienst in Verbindung (**Abb. 2**).
- 2 Stellen Sie ein Gefäß unter den Saftauslass und wählen Sie die gewünschte Position (1 oder 2). Damit die maximale Leistung erzielt werden kann, ist zu bedenken, dass die Position 1 für weichere Früchte geeignet ist (zum Beispiel: Äpfel, Ananas, Wassermelonen, Erdbeeren, Weintrauben). Dagegen eignet sich die Position 2 für härteres Gemüse, wie Möhren, Brokkoli, Sellerie, rote Bete, usw.

Nachdem die Geschwindigkeitsstufe gewählt wurde, setzt sich das Gerät in Betrieb und das Licht der Anzeige bleibt eingeschaltet (**Abb. 3**).

- 3 Führen Sie die zu entsaftenden Früchte durch die Öffnung im Deckel ein und pressen Sie mit dem Stößel darauf. Sie werden sofort Saft gewinnen.
 - 4 Um das Gerät anzuhalten, drehen Sie den Schalter bis zur Position "0". Denken Sie daran, dass das Gerät im Standby-Betrieb verweilen wird, bis der Schalter an der Rückseite auf die Position "0" gestellt wird.
 - 5 Um das Heruntertropfen von Saft zu verhindern, wenn nicht entsaftet wird, drehen Sie den Hahn der Antitropf-Funktion um 180° zur Seite (**Abb. 4**).
- ⓘ **HINWEIS:** Gelegentlich kann es bei einem längeren Verweilen des Geräts im Standby-Betrieb dazu kommen, dass sich der innere Kühlventilator einschaltet, der ein schwaches Geräusch bewirkt. Dieses Verhalten ist als normaler Vorgang des Geräts zu betrachten.
- ⓘ Wenn Sie während der Benutzung des Geräts den Griff anheben oder den Restbehälter entnehmen, schaltet sich das Gerät aus Sicherheitsgründen aus (Sicherheitsstopp). Das Gerät kann auch dann nicht betrieben werden, wenn die Auffangwannen nicht eingesetzt ist. Erfolgt während des Betriebs des Geräts ein Stromausfall, setzt sich das Gerät nach Wiederherstellung der Stromzufuhr nicht selbstständig wieder in Betrieb. Schalten Sie in diesem Fall den Geschwindigkeitsregler in die Position OFF (Aus) und wählen Sie nach einigen Sekunden die gewünschte Geschwindigkeit. Um das Gerät in Gang zu setzen, stellen Sie sowohl den Geschwindigkeitsregler als auch den Betriebsschalter an der Rückseite auf die Position "0" . Nach dem Einschalten oder der Wiederherstellung der Stromzufuhr, ist der Einschaltvorgang neuerlich zu befolgen, indem man zu Schritt 1 zurückkehrt.
- ⓘ Versuchen Sie nicht, das Gerät ohne die Sicherheitselemente (Griff, Deckel und Abfallbehälter) zu betreiben, da es anderenfalls zu Unfällen kommen kann.

Achtung! Nach allen Fällen, in denen ein Notstop erfolgte, muss der Geschwindigkeitswähler neuerlich auf "0" gestellt und die gewünschte Geschwindigkeitsstufe gewählt werden, nachdem die Ursache des Notfallstopps behoben wurde.

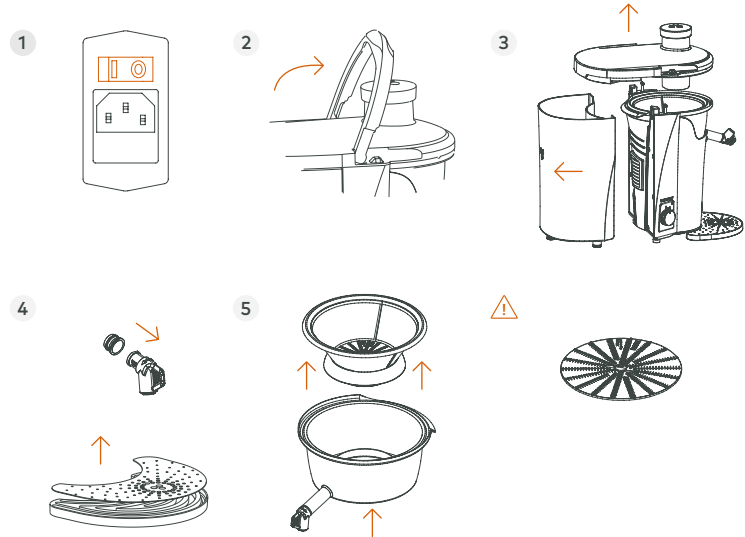
Reinigung

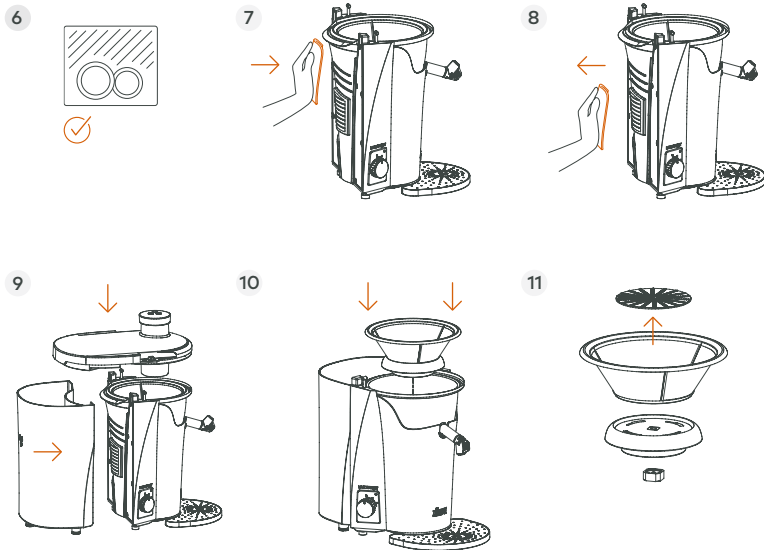
Zumex empfiehlt, die Maschine je nach Einsatz mindestens 1 bis 2 Mal täglich zu reinigen, um die Voraussetzungen für Lebensmittelhygiene zu erfüllen.

Für eine korrekte Reinigung führen Sie bitte folgende Schritte aus:

- 1 Der Schalter an der Rückseite ist auf die Position "0" zu stellen und das Gerät vom Netz zu trennen, indem der Stecker aus der Steckdose gezogen wird (ziehen Sie dabei nie am Kabel).
- 2 Entfernen Sie den Verschlussgriff, indem Sie ihn vorn anheben.
- 3 Montieren Sie den Deckel ab, indem Sie ihn anheben. Entfernen Sie den Abfallbehälter.
- 4 Montieren Sie den Antitropfhahn und den Tropfteller ab.
- 5 Montieren Sie die Einheit, bestehend aus dem Reibfilter und dem Inox-Behälter ab, indem sie den Behälter nach oben ziehen. Wenn die Einheit abmontiert ist, können Sie beide Elemente leicht trennen.

⚠ Achtung! Vorsicht bei der Handhabung der Reibfiltereinheit. Berühren Sie nicht die scharfen Spitzen der Reibe, Sie könnten sich schneiden!





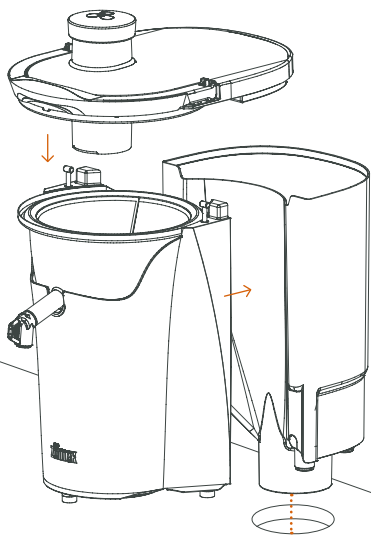
- 6 Alle Teile können in der Geschirrspülmaschine gereinigt werden. Falls Fruchtfleisch an den Teilen angetrocknet sein sollte, empfehlen wir, diese in einer Lösung aus Wasser und Geschirrspülmittel einzuweichen, bis sich die Fruchtfleischreste leicht entfernen lassen. Anschließend können die Teile in die Geschirrspülmaschine gegeben werden.
- 7 Um die Außenseite des Gerätes (Motorblock) und den Gummi, auf dem sich der Edelstahlbehälter befindet, zu reinigen, verwenden Sie ein feuchtes Tuch.
- 8 Anschließend mit einem mit klarem Wasser angefeuchteten Tuch nachreiben, um eventuelle Reste von Geschirrspülmittel zu beseitigen.
- 9 Nach Abschluss der Reinigung befestigen Sie alle Teile in der umgekehrten Reihenfolge, in der sie abmontiert wurden. Vergewissern Sie sich, dass alle Teile korrekt zusammengesetzt und befestigt sind.
- 10 Wenn Sie den Reibfilter einsetzen, vergewissern Sie sich, dass er korrekt einrastet, indem Sie ihn fest nach unten drücken bis Sie fühlen, dass der Boden erreicht ist.
- 11 Wir empfehlen, die Raspelscheibe des Filters regelmäßig abzunehmen, um den Filter vollständig reinigen zu können. Im Anschluss ist die Raspelscheibe entsprechend der Anleitung wieder einzusetzen. Bei der Montage, empfehlen wir die Mutter fest zu drehen, wenn nötig, helfen Sie sich mit einem Schraubenschlüssel.

BEACHTEN SIE

Um zu vermeiden, dass das Fruchtfleisch antrocknet, wenn das Gerät nicht verwendet wird, und so die Reinigung erschwert, gießen Sie langsam einen Krug Wasser durch die Einfüllöffnung während das Gerät in Betrieb ist. Auf diese Weise können Sie auch verhindern, dass sich Geschmacksrichtungen mischen, wenn Sie verschiedene Fruchtsorten entsaften.

Zubehör

Was benötigen Sie für Ihr Lokal?



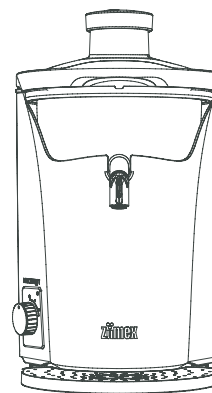
EINBAU-KIT

Mit dem neuen Einbau-Kit für intensiven Einsatz lassen sich Rückstände ohne Unterbrechungen entsorgen. Weil der **Behälter nicht entleert werden muss**, wird für problemlose Bedienung mit höherer Autonomie gesorgt.

Rezepte

Multifruit Rezepte

Entdecken Sie alle Rezepte. Kombinieren Sie Obst und Gemüse für eine Fülle von Saftkreationen: Energy, Antiox, Detox ... Lassen Sie Ihrer Fantasie freien Lauf und entdecken Sie neue Kombinationen voller Farbe und Geschmack.



Entdecken Sie das Multifruit-Rezeptbuch auf www.zumex.com



Fehlersuche und Fehlerbehebung

STÖRUNG	MÖGLICHE URSACHE	BEHEBUNG
DAS GERÄT FUNKTIONIERT NICHT. DAS LED IST AUSGESCHALTET	Das Gerät ist nicht ans Netz angeschlossen	Schließen Sie es ans Netz an
	Der Stecker wird nicht mit Strom versorgt	Überprüfen Sie den Stecker
	Die Sicherung ist durchgebrannt	Ersetzen Sie sie (im Lieferumfang des Geräts ist eine zusätzliche Reservesicherung eingeschlossen). Siehe Abb.1
	Henkel ist nicht richtig aufgesetzt	Vergewissern Sie sich, dass er sich in der richtigen Position befindet
	Deckel ist nicht richtig aufgesetzt	Vergewissern Sie sich, dass er sich in der richtigen Position befindet
	Innere Störung	Benachrichtigen Sie den technischen Kundendienst
DAS GERÄT FUNKTIONIERT NICHT. DAS LED DER ANZEIGE BLINKT (für 115V Maschinen)	Der Rückstandbehälter ist nicht richtig an den Maschinenkörper angepasst	Bringen Sie den Rückstandbehälter in die richtige Position
	Innere Störung	Benachrichtigen Sie den technischen Kundendienst

STÖRUNG	MÖGLICHE URSACHE	BEHEBUNG
DAS GERÄT FUNKTIONIERT, ABER DAS LED DER ANZEIGE SCHALTET SICH NICHT EIN	Anomalie im Inneren des Geräts	Benachrichtigen Sie den technischen Kundendienst
DAS GERÄT BLOCKIERT SICH OFT BEIM ENTSAFTEN	Ungenügende Netzspannung	Überprüfen Sie, ob die Netzspannung der in den Bedienungsanleitungen angegebenen entspricht
DAS GERÄT VIBRIERT WÄHREND DES ENTSAFTENS STARK	Reibfilter durch die Früchte verrutscht	Reibfilter abmontieren und reinigen
SAFT MIT ZUVIEL FRUCHTFLEISCH	Deckel ist voll mit Rückständen	Deckel abnehmen und reinigen
	Es wurden weiche Früchte auf der Position 2 entsaftet	Benutzen Sie die Position 1 für weiche und 2 für harte Früchte
DER TROPFSTOPP VERSTOPFT	Der Saft enthält Kerne oder zu viel Fruchtfleisch	Die Antitropf- Vorrichtung herausnehmen und reinigen. Benutzen Sie immer die Position 1 für weiche und 2 für harte Früchte

WICHTIG

Bevor Blockierungen des Geräts beseitigt werden, muss stets der Netzstecker gezogen werden. Wenn nach der Durchführung der hier genannten Überprüfungen das Gerät nicht funktionieren sollte, wenden Sie sich bitte an den Kundendienst.

ZUMEX PRESENTA
Power Becomes Healthy

Multifruit è la centrifuga perfetta per estrarre la maggior quantità di succo possibile da qualsiasi tipo di frutta e verdura. Con questa centrifuga avrai a disposizione una grande versatilità gastronomica nella preparazione di qualsiasi succo, cocktail o frullato che puoi immaginare, risparmiando tempo, lavoro e materia prima.

Multifruit è dotata dell'ingegneria più potente del mercato, è rapida e silenziosa, e incorpora nuove funzioni che trasformeranno il tuo bar, cocktail bar o caffetteria in un vero e proprio Juice Bar.

Il seguente Manuale fa riferimento ai seguenti modelli Multifruit.



Registra qui
 la tua Multifruit

Zumex Multifruit

Manuale dell'utilizzatore

Leggere attentamente le istruzioni per sfruttare al massimo tutte le potenzialità della macchina.

INDICE GENERALE

- 3** ALLEGATO
- 80** INFORMAZIONI GENERALI IMPORTANTI
- 83** CARATTERISTICHE TECNICHE
- 84** ISTRUZIONI PER L'USO
 - 84** DESCRIZIONE GENERALE
 - 85** PREPARAZIONE
 - 86** FUNZIONAMENTO
 - 88** PULIZIA
 - 92** ACCESSORI
- 94** INDIVIDUAZIONE DI GUASTI
- 98** DICHIARAZIONE DI CONFORMITÀ EU

Zumex si riserva il diritto di modificare senza preavviso le informazioni contenute in questo manuale.



Informazioni Generali Importanti

- I dati specifici della centrifuga Zumex (tensione, frequenza e altri dati di interesse), si trovano nell'Etichetta di Identificazione che si trova sull'apparecchio.
 - Per qualsiasi consulenza tecnica rivolgersi al Distributore abituale/Servizio di assistenza tecnica ufficiale, menzionando sempre il Numero di Serie dell'Etichetta di Identificazione dell'apparecchio.
 - Per smaltire correttamente questo apparecchio, una volta giunto al termine della sua vita utile, rivolgersi al distributore autorizzato Zumex.
- Onde evitare pericoli, se il cavo di alimentazione è danneggiato, deve essere sostituito dal produttore, dal suo servizio post-vendita o da personale qualificato.
- Prima di procedere alla pulizia della macchina o effettuare qualsiasi operazione di manutenzione, scollegarla sempre dalla rete elettrica.
 - I bambini non devono giocare con l'apparecchio.
 - Questo apparecchio può essere utilizzato da bambini maggiori di 8 anni, a condizione che siano sotto la supervisione di un adulto o che abbiano ricevuto istruzioni sull'utilizzo dell'apparecchio in sicurezza e che siano in grado di capire i rischi che comporta. Le operazioni di pulizia e manutenzione

a carico dell'utente non devono essere realizzate da bambini, a meno che siano maggiori di 8 anni e sotto la supervisione di un adulto. Tenere l'apparecchio e il cavo fuori dalla portata dei bambini minori di 8 anni.

- Questo apparecchio può essere utilizzato da persone con capacità fisiche, sensoriali o mentali ridotte o con mancanza di esperienza e conoscenza, purché siano supervisionate da un adulto o abbiano ricevuto istruzioni adeguate riguardo al funzionamento in sicurezza dell'apparecchio e capiscano i rischi che comporta.
- Non pulire l'apparecchio con getti d'acqua.
- Durante le operazioni di pulizia, manutenzione o sostituzione dei pezzi, assicurarsi che la spina del cavo di alimentazione sia sempre staccata dalla presa di corrente e ben visibile.
- Per evitare di tagliarsi, maneggiare gli elementi di taglio con particolare attenzione.
- I pezzi a contatto con alimenti devono essere puliti seguendo le istruzioni che si trovano nel capitolo dedicato alla pulizia.
- Non manipolare la macchina per farla funzionare senza un qualche elemento di sicurezza.



· Questo apparecchio è destinato all'uso in ambito domestico e applicazioni simili quali

- Zone di cucina per personale in negozi, uffici o altri posti di lavoro.
- Fattorie.
- Da clienti in hotel, motel e altre strutture residenziali.
- Stabilimenti tipo "Bed & Breakfast".

Per qualsiasi suggerimento o commento utile a migliorare i nostri apparecchi o la nostra rete di assistenza, la preghiamo di contattare direttamente Zumex al seguente indirizzo:

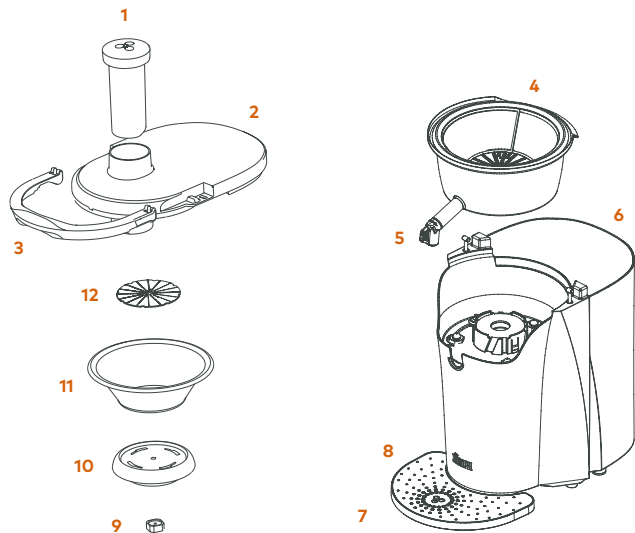
ZUMEX GROUP, S.A.

Polígono Ind. Moncada III C/Molí 2. 46113 Moncada. Valencia. Spagna.
Tel. +34 961 301 251 Fax: +34 961 301 255
zumex@zumex.com / www.zumex.com

Caratteristiche tecniche

Rendimento	120 Kg/h - 1.8 L/min
Velocità	3.500 rpm 4.500 rpm
Potenza	870 W
Consumo	1.8 A
Tensione	220-240 V 50/60 Hz 115 V 60 Hz
Dimensioni	29 x 50 x 51 cm
Peso netto	15 Kg
Protezione Anti-umidità	IPX1
Livello di pressione acustica	Inferiore a 70 dB
Sicurezza	Sistema di rilevamento di sicurezza e protezione termica
Calibro massimo del frutto	75 mm

Descrizione generale



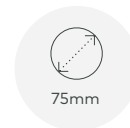
1 Pestello	5 Rubinetto antigoccia	9 Dado Guida filtro
2 Coperchio	6 Serbatoio dei residui	10 Guida filtro
3 Manico di chiusura	7 Vassoio portabicchieri	11 Filtro
4 Vaschetta inox	8 Decorazione inox vassoio portabicchieri	12 Disco grattugia

Preparazione

Per iniziare la spremitura seguire i seguenti passi:

- 1 Togliere la centrifuga dall'imballaggio e posizionarla su una superficie il più orizzontale possibile.
- 2 Collegare la spina alla macchina e ad una presa di corrente normalizzata provvista di messa a terra, **Fig. 1**
- 3 Collocare la vaschetta residui come indicato nella **Fig. 2**. È possibile introdurre un sacchetto per la spazzatura nella vaschetta residui. In questo modo si eviterà di sporcare eccessivamente la vaschetta.
- 4 Controllare che tutti gli elementi che agiscono sui dispositivi di sicurezza siano stati fissati correttamente, altrimenti i dispositivi di sicurezza dell'apparato impediranno il funzionamento dello stesso.

- ⚠ **Attenzione:** Il tubo di alimentazione della frutta ha un diametro di 75 mm. In caso di frutti più grandi, si consiglia di tagliarli a pezzetti. Se il frutto è molto più piccolo rispetto al tubo, è possibile introdurre vari alla volta.



Funzionamento

Preparazione di frutta e verdura:

- Lavare sempre la frutta e la verdura prima di lavorarla.
- Se si utilizza della frutta con buccia o scorza non commestibile (ad es.: anguria, mango, kiwi), la si dovrà sempre pelare prima di liquefarla.
- Nel caso di frutta con noccioli o semi di grandi dimensioni (ad es. pesca, prugna, ciliegia), questi dovranno essere eliminati prima di liquefarla.
- La frutta di dimensioni maggiori del foro di alimentazione (>75mm) deve essere tagliata prima di essere liquefatta. Nel caso della frutta di dimensioni più piccole (<75mm) se ne possono liquefare più pezzi contemporaneamente.
- Prima del primo utilizzo si raccomanda di effettuare la pulizia della centrifuga. Vedi sezione "Pulizia".



Funzionamento

- 1 Accendere la macchina mettendo l'interruttore di accensione posteriore nella sua posizione "I" (Fig 1). Collocare il secchiello dei residui nella sua posizione corretta, sulla parte posteriore della macchina. Attenzione! Se la macchina funziona a 115V, e il LED lampeggia, significa che il contenitore non è bene al suo posto. Tornare alla posizione 0 e collocare il contenitore dei residui perfettamente in appoggio contro la parete posteriore della centrifuga. Se anche così il lampeggiamento persiste, consultare il servizio di assistenza (Fig 2).
- 2 Collocare un recipiente sotto l'uscita del succo e scegliere la velocità posizione (1 o 2). Per ottenere il massimo rendimento, la velocità 1 è quella indicata per frutta e verdura molle (per esempio: mela, ananas, anguria, fragole, uva). Mentre la velocità 2 è più adatta per lavorare sul duro (carote, broccoli, sedano,

barbabietole, etc.). Una volta selezionata la velocità, la macchina inizierà a funzionare con la luce LED accesa (Fig 3).

- 3 Introdurre la frutta o verdura da centrifugare attraverso l'apertura del coperchio e premerla con lo spingitore. Si otterrà succo all'istante.
- 4 Per arrestare la macchina, ruotare l'interruttore fino alla posizione "0". Ricordarsi che la macchina rimarrà in Stand-by fino a che l'interruttore di accensione posteriore verrà messo in posizione "0".
- 5 Per evitare sgocciolamenti di succo quando non si sta centrifugando, azionare il rubinetto antigoccia girandolo a 180° (fig 4). (Fig 4).

⚠ **NOTA:** È possibile che, occasionalmente, dopo un periodo di tempo prolungato in posizione di "0" della macchina, si attivi il ventilatore interno di raffreddamento producendo un piccolo rumore. Questo comportamento è da considerare un processo normale della macchina.

⚠ Quando l'apparecchio è in funzione, scatterà un dispositivo di arresto di sicurezza nel caso in cui si sollevi il manico di chiusura o si estraiga il serbatoio dei residui (solo 115V); per lo stesso motivo, la macchina non si avvierà se si tenta di farla funzionare senza coperchio. Se durante il funzionamento si verifica un'interruzione dell'alimentazione elettrica, l'apparecchio non si avvierà al ripristino di quest'ultima. Per avviarlo, girare il selettore su Off e, dopo aver atteso alcuni secondi, selezionare la velocità desiderata. Per spegnerla, mettere sia il selettore che l'interruttore di accensione posteriore in posizione "0". Dopo averla nuovamente connessa o avere ristabilito la linea elettrica, iniziale da capo il processo di accensione tornando al passo 1.

⚠ Per evitare incidenti, non manomettere l'apparecchio con lo scopo di farlo funzionare senza gli elementi di sicurezza: manico, coperchio e serbatoio dei residui (solo 115V).

Attenzione! In tutti i casi di arresto di emergenza, una volta sanata la causa che ha provocato l'arresto, si dovrà mettere il selettore di velocità in posizione "0" e successivamente selezionare la velocità desiderata.

Pulizia

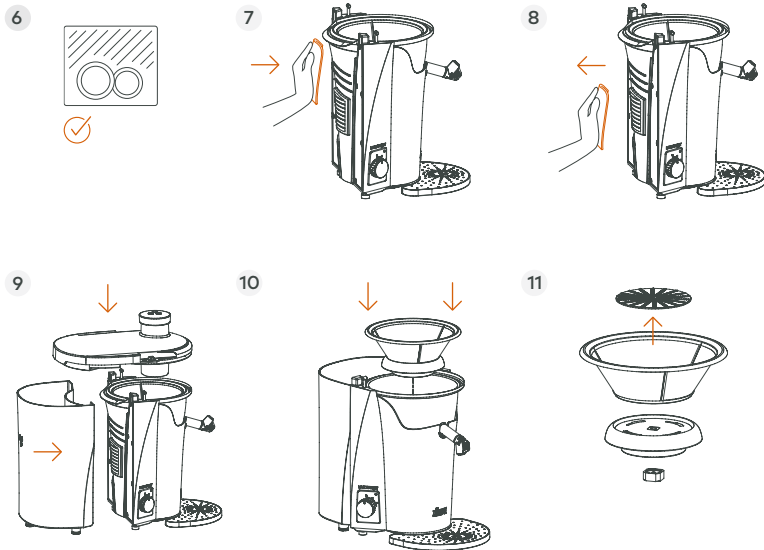
Per mantenere delle condizioni igienico-sanitarie ottimali, Zumex raccomanda di pulire la macchina minimo 1 o 2 volte al giorno, a seconda dell'uso.

Per una corretta pulizia è necessario seguire i seguenti passi:

- 1 Mettere l'interruttore posteriore in posizione "0" e collegare la macchina dalla rete tirando la spina (mai tirando il cavo).
- 2 Smontare il manico sollevandolo dalla parte anteriore.
- 3 Smontare il coperchio sollevandolo verso l'alto e separare la vaschetta residui.
- 4 Smontare il rubinetto e il sottobicchiere.
- 5 Smontare l'insieme composto dal filtro-grattuggia e la vasca, tirando verso l'alto quest'ultima. Dopo la fase di smontaggio, sarà possibile separare senza difficoltà entrambi gli elementi.

⚠ Attenzione! Fare molta attenzione al filtro-grattuggia. Non toccare le punte affilate della grattuggia, sono molto taglienti.





- 6 Tutti i pezzi possono essere lavati in lavastoviglie. Se la polpa si fosse seccata e aderendo così ai componenti, si consiglia di lasciarli a bagno in una soluzione di acqua e detersivo per stoviglie fino a che non si sia ammorbidita. In seguito, potrete introdurre il frullatore nella lavastoviglie.
- 7 La parte esterna del frullatore (gruppo motore) e la zona di gomma su cui appoggia la vasca devono essere pulite con un panno umido.
In seguito, sciacquare abbondantemente con acqua pulita ed eliminare ogni resto di sapone.
- 8 Terminata la manutenzione del frullatore, montare tutti gli elementi in ordine inverso rispetto allo smontaggio. Controllare che tutti i pezzi siano correttamente assemblati e ben fissi.
- 9 Quando montate il filtro-grattugia, controllare che coincida correttamente spingendolo verso il basso fino in fondo.
- 10 Si consiglia di smontare regolarmente la grattugia del filtro per permetterne una pulizia più profonda. Quindi, rimontarlo secondo le indicazioni. Quando riassembleo, si raccomanda di fissare il dado saldamente aiutando, se necessario, con una chiave.

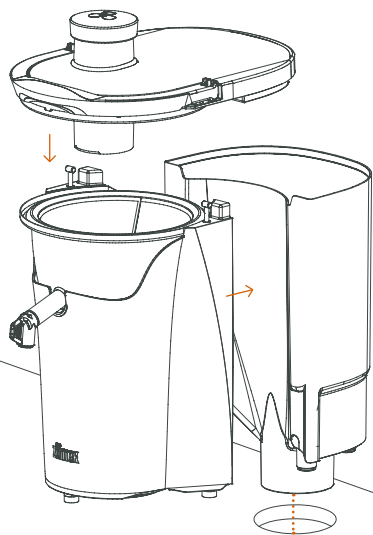
ATTENZIONE

Per evitare che la polpa si secchi tra un uso e un altro, rendendo più complicata la pulizia del frullatore, versare una caraffa d'acqua nel vano in cui si introducono i frutti mentre la centrifuga è accesa. Questo procedimento è utile anche per evitare il miscuglio di sapori quando vengono frullati diversi tipi di frutta.



Accessori

Quali sono le esigenze specifiche della tua attività?



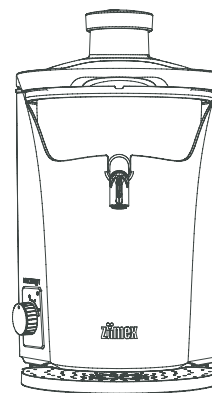
KIT SCARICO DIRETTO

Con il Kit Scarico Diretto di uso intensivo, potrai eliminare gli scarti in modo continuo, **senza bisogno di svuotare la vaschetta**, rendendo più facile l'utilizzo della tua centrifuga e offrendole una maggiore autonomia.

Ricette

Ricette Multifruit

Scopri tutte le ricette facili da realizzare. Abbinata frutta e verdura per ottenere combinazioni energetiche, antiossidanti, detox... Libera la tua fantasia e scopri nuove combinazioni ricche di colore e sapore.



Scopri il ricettario Multifruit
su www.zumex.com



Rilevazione di avarie

AVARIA	CAUSA POSSIBILE	CORREZIONE
LA MACCHINA NON FUNZIONA. IL LED È SPENTO	Macchina scollegata	Connetterla alla rete
	Non arriva corrente alla spina	Controllare che la spina sia inserita
	Fusibile bruciato	Sostituire (la macchina ne include uno di riserva) Dettagli Fig. 1
	Maniglia mal collocata	Controllarne la corretta collocazione
	Corpechio mal collocata	Controllarne la corretta collocazione
	Guasto interno	Contattare il Servizio Tecnico
LA MACCHINA NON FUNZIONA. IL LED LAMPEGGIA (solo per macchine 115V)	Secchiello dei residui separato dal corpo della macchina	Annettere il secchiello dei residui alla macchina nella sua posizione corretta
	Guasto interno	Contattare il Servizio Tecnico

AVARIA	CAUSA POSSIBILE	CORREZIONE
LA MACCHINA FUNZIONA, MA IL LED È SPENTO	Guasto all'interno della macchina	Contattare il Servizio Tecnico
LA MACCHINA SI BLOCCA SPESSO DURANTE LA CENTRIFUGAZIONE	Tensione di rete insufficiente	Controllare che la tensione sia quella indicata sul manuale
LA MACCHINA VIBRA MOLTO	Filtro squilibrato a causa della presenza di frutta	Smontare il filtro e pulirlo
SUCCO CON ECCESSO DI POLPA	Coperchio pieno di residui	Smontare il coperchio e pulire
	Licando frutta Centrifugazione di frutta molle a velocità 2	Utilizzare velocità 1 per frutta molle e velocità 2 per frutta dura
L'ANTIGOCCIA SI INTASA	Il succo contiene semi o eccesso di polpa	Estrarre l'antigoccia e pulire. Utilizzare la velocità 1 per la frutta molle e la velocità 2 per frutta dura

IMPORTANTE

Qualsiasi operazione di bloccaggio della macchina deve essere effettuata dopo aver disinnestato l'apparecchio dalla presa di corrente. Se, dopo aver effettuato le verifiche qui elencate, la macchina non funziona, chiamate il Servizio Tecnico.

ZUMEX SERVICE Tel.+34 96 080 0999 · service@zumex.com

POWER BECOMES HEALTHY
MULTIFRUIT

EU Declaration of Conformity

UE Declaration of Conformity

ZUMEX GROUP S.A., whose registered offices are situated at Polígono Industrial of Moncada III, C/ Moli, 2 - 46113 Moncada, Valencia (Spain) does here by declare, under its sole responsibility, that the **Multifruit** Blender machine models conform to the following harmonised standards:

EN 60335-1 + AC + A11	2012 2014 2014	Safety of household electrical appliances and similar. Part 1: General requirements.
EN 60335-2-14 + A11 + AC	2006 2012 2013	Household and similar electrical appliances - Safety - Part 2-14: Particular requirements for kitchen machines.
EN 62233	2008	Measurement methods for electromagnetic fields of household appliances and similar apparatus with regard to human exposure.
CISPR 14-1 + A2	2005 2011	Electromagnetic compatibility - Requirements for household appliances, electric tools and similar apparatus - Part 1: Emission.
CISPR 14-2 + A2	1997 2008	Electromagnetic compatibility - Requirements for household appliances, electric tools and similar apparatus - Part 2: Immunity - Product family standard.
IEC 61000-3-2 + A2	2005 2009	Electromagnetic compatibility (EMC) - Part 3-2: Limits - Limits for harmonic current emissions (equipment input current ≤ 16 A per phase).
IEC 61000-3-3	2013	Electromagnetic compatibility (EMC) - Part 3-3: Limits - Limitation of voltage changes, voltage fluctuations and flicker in public low-voltage supply systems, for equipment with rated current ≤ 16 A per phase and not subject to conditional connection.
NSF/ANSI 8	2012	National Sanitation Foundation - Commercial powered food preparation equipment.
NSF/ANSI 51	2014	National Sanitation Foundation - Food equipment materials.

Copying with the provisions of the European Directives set out below:

2006/42/UE	Security on machinery
2014/35/UE	Electrical equipment designed for use within certain voltage limits
2014/30/UE	Electromagnetic compatibility (EMC)
REG.(UE) Nº 10/2011	Plastic materials and articles intended to come into contact with foodstuffs
2011/65/UE	Restriction of the use of certain hazardous substances in electrical and electronic equipment (RoHS)
2012/19/UE	Waste electrical and electronic equipment (WEEE)
REG.(UE) Nº 2023/2006	Good manufacturing practice for materials and articles intended to come into contact with food
REG.(UE) Nº 1935/2004	Materials and articles intended to come into contact with food

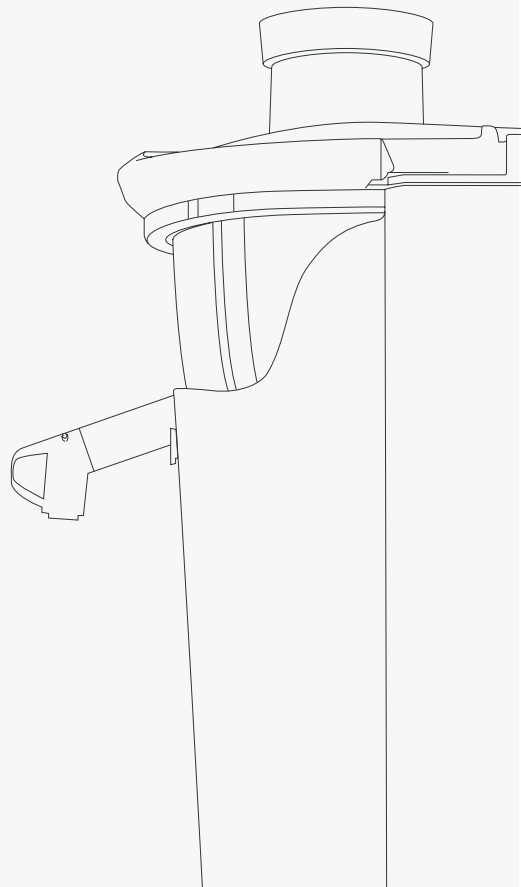
Moncada, February 06th, 2019



Francisco Serrano
Operations Manager



Warranty





Zumex Group | Headquarters

Tel. +34 961 301 251
zumex@zumex.com

Service:
Tel. +34 960 800 999
service@zumex.com

Zumex North America

Tel. +1 305 591 0061
zumexusa@zumex.com

Technical Assistance:
1-877-ZUMEX-TA (+1 877 986 3982)
service.usa@zumex.com

Zumex Mexico

Tel. +52 (55) 5212-0619
zumexmexico@zumex.com

Service:
Tel. +52 (55) 5212-0619
service.mx@zumex.com

Zumex UK

Tel. +44 20 3519 1292
zumexuk@zumex.com

Service:
Tel. +44 20 3519 1292
service.uk@zumex.com

Zumex France

Tel. +33 975 187 354
zumexfrance@zumex.com

Service:
Tel. +33 (0) 182 880 072
service@zumex.com

Zumex Deutschland

Tel. +49 211 418 73351
zumexdeutschland@zumex.com

Service:
Tel. +49 211 418 73351
service@zumex.com