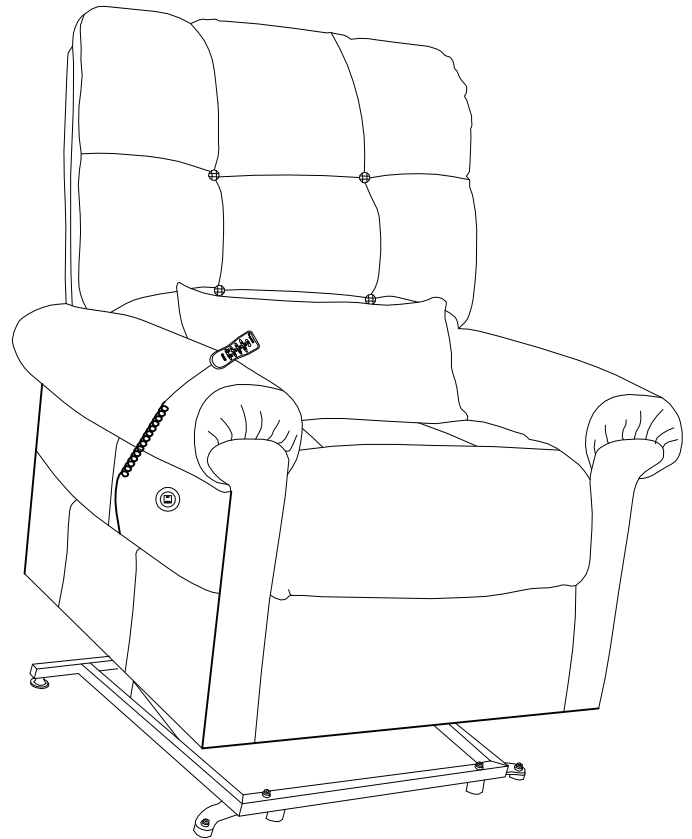
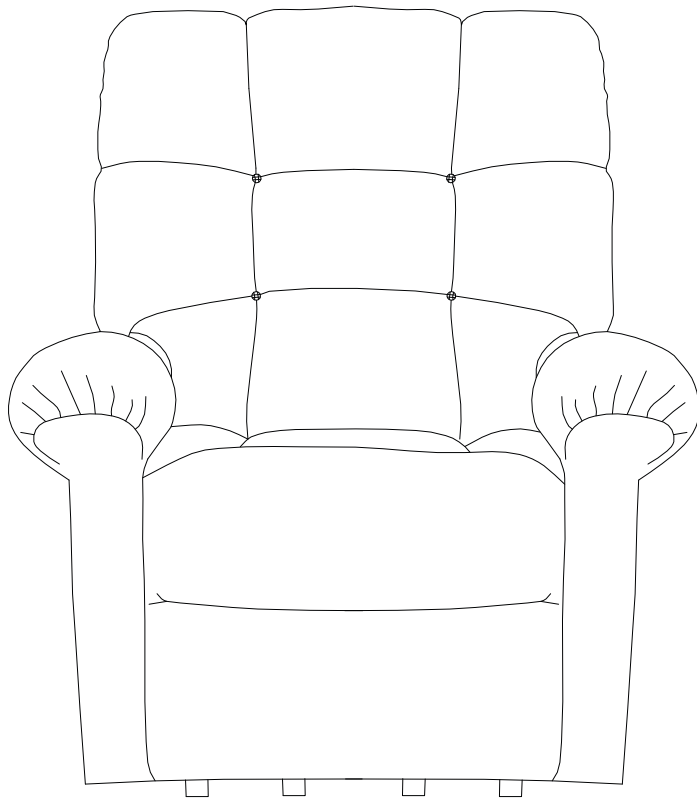


journey perfect sleep chair®

PRODUCT MANUAL



 **journey**
HEALTH & LIFESTYLE®
www.shopjourney.com

NOTE: If you ever lose or misplace your copy of this manual, you can access the manual at our website.

Welcome to Journey Health & Lifestyle!

Thank you for purchasing your Perfect Sleep Chair®. You have invested in a high quality product made of premium materials that will facilitate comfort and safety.



This appliance is not intended for use by persons (including children) with reduced physical, sensory or mental capabilities, or lack of experience and knowledge, unless they have been given supervision or instruction concerning use of the appliance by a person responsible for their safety.

Children should be supervised to ensure that they do not play with the appliance.

Purchaser's Agreement

By accepting delivery of this product, you promise that you will not change, alter, or modify this product or remove or render inoperable or unsafe any guards, shields, or other safety features of this product; fail, refuse, or neglect to install any retrofit kits from time to time provided to enhance or preserve the safe use of this product.

Modifications

You should not modify, add, remove, or disable any feature, part, or function of your lift chair. Unauthorized modifications may lead to personal injury and/or product damage and may also void your product's warranty.

NOTE: Use only manufacturer parts for all repairs and replacements.

Weight Limitations

Your lift chair is rated for a maximum weight capacity of 375 lbs.

Safety Warnings and Advice

- Do not allow children to play on the chair.
- Always leave the chair in an upright closed position.
- Keep hands and feet clear of the mechanism.
- Only the occupant should operate the chair.
- Please check under chair before lowering chair for small children and/or pets in the house.
- Do not sit or lean on the arms of the chair.
- Do not stand on the chair.
- Do not drag the chair. Always lift with the help of a second person.
- Do not allow items to be entangled with the mechanism (i.e. blankets, pillows, clothing).
- Please be aware that electricity flows from the power point to the transformer underneath the chair. This should be treated with respect and any liquid spilled may cause problems with the motor. If you are concerned that liquid has affected any electrical parts of the chair, do not reconnect it. Consult your local electrician for a safety check.
- The product you have purchased combines state-of-the-art components with safety, comfort, and styling in mind. Read and follow all instructions, warnings, and notes in this manual and all other accompanying literature before attempting to operate this product for the first time. If there is any information in this manual which you do not understand, or if you require additional assistance for setup or operation, please contact Journey Health & Lifestyle Customer Service. Failure to follow the instructions, warnings, and notes in this manual and those located on your product can result in personal injury or product damage and will void the product warranty.
- Your Perfect Sleep Chair has been engineered to provide the ultimate in strength and reliability. Great care has been taken to provide you with total comfort and safety.
- You are required to exercise caution when operating your chair to ensure your personal safety and that of others around you. The Safety Warning and Advice herein are rules for the safe operation of your Perfect Sleep Chair.
- Care should be taken in the unpacking of this unit, so as not to cause injury to persons or damage to the unit. Dispose of all plastic bags and covers, as they can be a smothering hazard to small children.

Safety Warnings and Advice

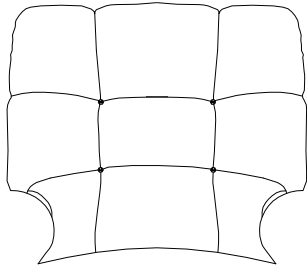
- Do not allow children or pets near the chair while the chair is operating.
- Do not allow children to play with or operate the chair at any time.
- Hand control should be unplugged and placed out of the reach of children when the chair is not in use.
- Do not flop down into the chair when getting into it, or while it is in its lift position. Flopping down into the chair will damage it and could cause personal injury.
- Do not allow anyone to sit on your lap, or on the arm of the chair, or on the footrest while in or operating the chair, as it may cause tipping and could result in personal injury.
- Do not place fingers or hands between the seat cushion and the inside arm of the chair while sitting in the chair or when the chair is in operation or plugged into a power source.
- Do not retrieve fallen objects from inside or under the chair while the chair is plugged into a power source.
- Do not operate the chair if there are any persons, pets or other obstructions under or in front of the footrest, under the chair or behind the chair.
- Do not position yourself, child and/or pet too high on the chair while the chair back is reclined. This can cause a tip over hazard. Make sure you are properly fitted for the lift chair prior to operating the chair.
- Do not smoke while operating, sitting or resting in the chair.
- To reduce risk of electrical shock, do not immerse any of the electrical components into a liquid, or spill any liquids onto electrical components. Do not open any of the electrical components.
- Warranty will be void if any of the electrical components are opened by other than a qualified service person.
- Make sure the chair is placed at a safe distance from a wall/ corner, so that when fully reclined it will not make contact with the wall. Failure to do so can damage the chair and will void the warranty.
- Do not use any type of electrical extension cord to plug your chair into an electrical outlet. Make sure that all electrical products and their wires are positioned away from your chair as the metal lift frame mechanism could crush them and create a fire hazard and/or may cause personal injury.
- Do not operate your lift chair while intoxicated or taking medications that impair your mental or physical abilities to operate the chair safely. Consult with your doctor about any medications you are taking that may affect the safe operation of the chair.

Safety Warnings and Advice

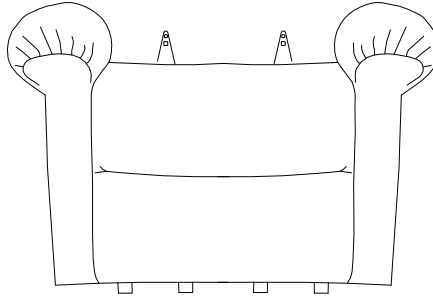
- Do not operate this product if you have any medical conditions that result in limited, debilitating mental or physical capacity. You should consult your doctor before using this product.
- Placing the lift chair in the center of a room or too far away from a wall will create a tripping hazard, because the power wires for the lift chair will be crossing main traffic areas in the residence.
- Leakage from the 9V DC backup batteries can result in property damage. Periodically inspect and replace the batteries.
- Store hand control in pocket to avoid it inadvertently becoming activated in a way that may force the user out of the chair.
- Should you ever encounter a problem with the operation of your Perfect Sleep Chair, discontinue all use of the product upon discovery of the problem. Contact Journey Health & Lifestyle Customer Service to arrange service.
- Exceeding the stated weight limit listed in this manual can result in instability of the chair, causing a potential tip over hazard.
- Consult this product manual and a physician to determine if you are capable of moving or lifting the chair, as this will cause serious injury if not done properly.
- Verify that all objects including hands and fingers are not between the arm of the chair and the seat cushion before operating the lift or recline as this will result in property damage or serious injury.
- This is an electrical device and will be impacted by any power failure.
- To operate this chair properly, you must read and understand the intended use of the product, and overall operation of the chair as misuse, or lack of proper training may lead to serious injury.
- Use extreme care when unpacking, assembling, and disassembling of this unit, so as not to cause injury to persons or damage to the unit.

I.	INTRODUCTION	2
II.	SAFETY WARNINGS	3
III.	PARTS CHECKLIST + PRE-ASSEMBLY	7
IV.	STEP BY STEP ASSEMBLY GUIDE	8
V.	OPERATION GUIDE	9
VI.	CONSUMER LIMITED WARRANTY	12
VII.	DIMENSIONS	13
VIII.	FOR YOUR RECORDS	14

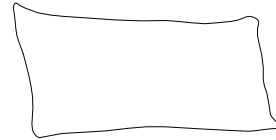
Parts Checklist



Backrest



Chair Base



Bolster Pillow

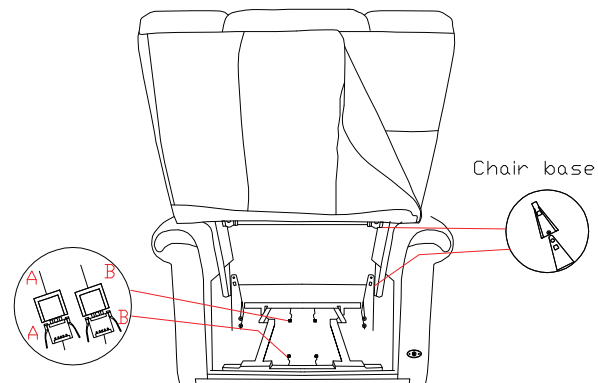
Pre-Assembly Preparation

Choose a location for assembly that is level, spacious, and clean.

To protect your floor surface and the product, we recommend the use of a soft clean blanket (or something similar) on your work space.

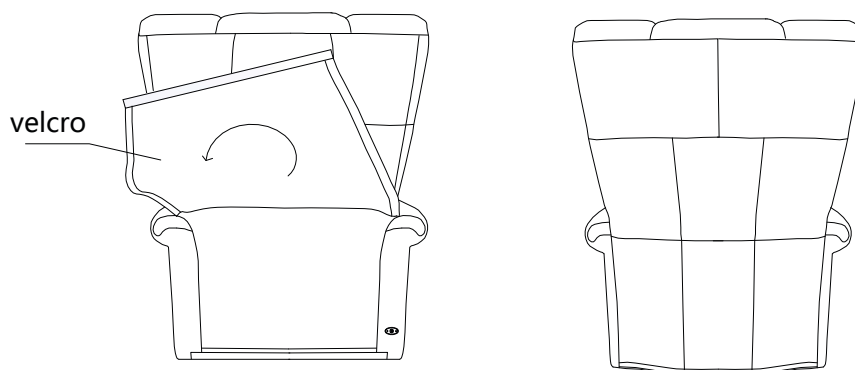
Step 1

1. Hold the back and connect the back to the base with 2 brackets.
2. Press the back from the top a little harder until you hear the “click”, means the back and base have engaged completely.
3. Connect the electric wire from base and back, electric wires are distinguished by colors, make sure to connect the same color wire.
4. Pick up the remote control from the side pocket and start enjoying the chair (Remote control is pre-assembled).



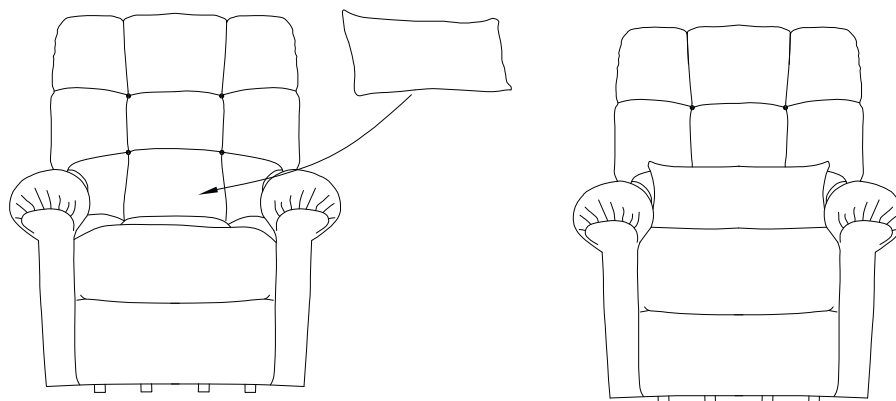
Step 2

Press the back of the chair at the top until you hear a click, ensuring the back and base are connected correctly.

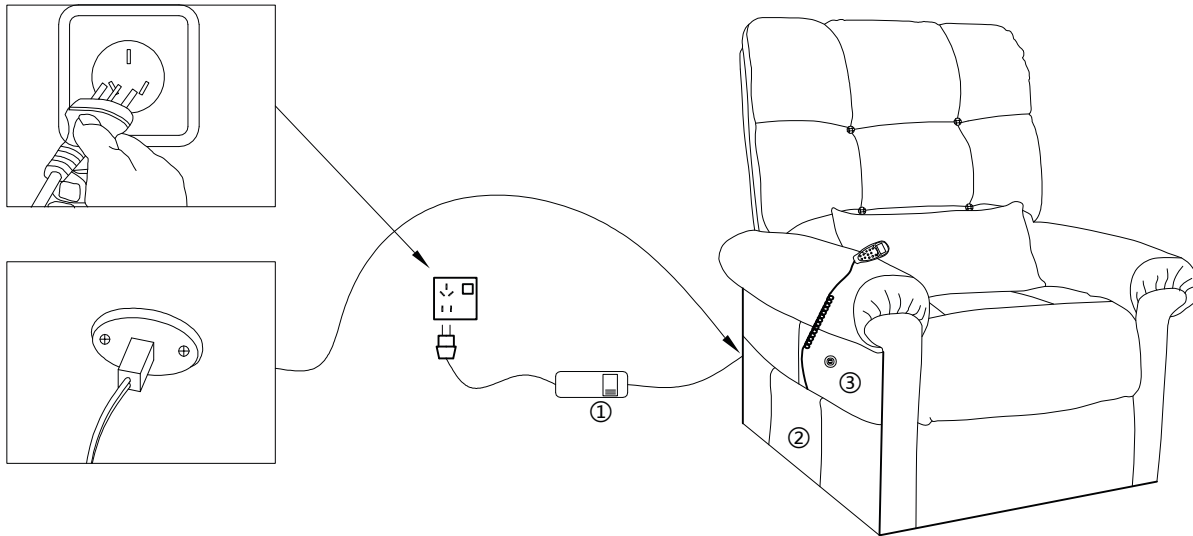


Step 3

Add the bolster pillow to support your back and to fully enjoy the chair.

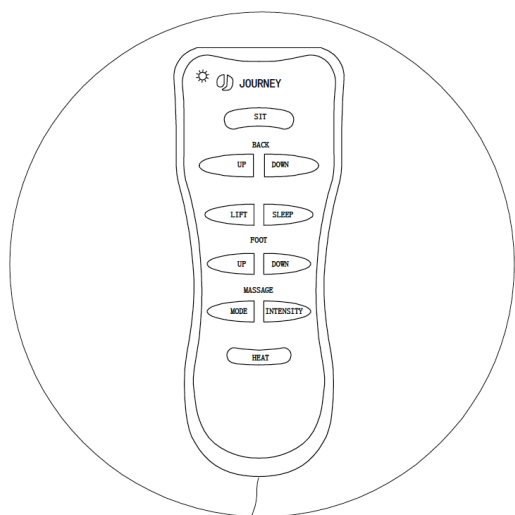


How to Operate The Perfect Sleep Chair®

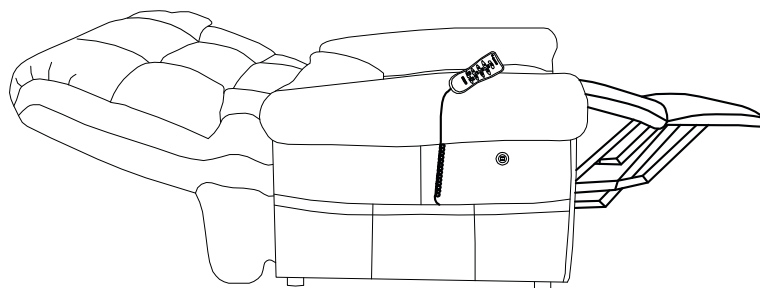


Plug & Play:

1. Power Plug and Cord located at the back of the seat cushion.
2. Hand controller located in pocket on side of chair base.
Ensure there are no tangles in cord before you plug in the chair.
3. Charging port located alongside armrest.



Hand Controller



Full Recline

Button Title	Functionality
Sit	Returns chair to a seated position
Back Up	Raises back
Back Down	Reclines back
Lift	Raises seat and back towards standing
Sleep	Lowers seat and back towards flat
Foot Up	Raises footrest
Foot Down	Lowers footrest
Massage Mode	Press 1x for PULSE (Blue) Press 2x for WAVE (Green) Press 3x for CONSTANT (Red) Press 4x to turn OFF
Massage Intensity	Low (Blue) Medium (Green) High (Red)
Massage Heat	Press 1x for LOW (Green) Press 2x for HIGH (Red)

Perfect Sleep Chair Positions

Your Perfect Sleep Chair offers a wide range of body positioning, so you can choose the position that best suits your needs. The Perfect Sleep Chair accomplishes this by providing multiple recline and lift options, allowing you to settle into your favorite comfort position. You may stop your Perfect Sleep Chair at a desired position just by releasing the buttons on the hand control when the chair reaches the position you desire.

Care and Maintenance

Your Perfect Sleep Chair will require routine maintenance checks. By following these maintenance checks, you can make sure your chair gives you years of trouble-free operation. If you have any questions or concerns regarding your chair's care and maintenance, contact Journey Health & Lifestyle Customer Service.

- Before cleaning your lift chair, consult customer service for the proper types of cleaner and cleaning methods.
- Keep all electrical components free from moisture and liquid spills. **Intended for indoor use only.**
- Periodically inspect all wiring harnesses to make sure they are not cut, damaged, frayed, or disconnected. If damage of any type is present, unplug the chair and contact your provider.
- Periodically check all fasteners for tightness, wear, and corrosion. If any of these are present, unplug the chair and contact your provider.

Warning: Be careful of pinch points and sharp metal parts (wear gloves).

- Replace the batteries after one use. Replace the batteries yearly, even if they were not used. **Batteries are intended for one use only!**

Three Year Parts Warranty

Journey Health & Lifestyle warrants the frame, lift mechanism, recline mechanism, and electrical parts of this chair against defects to original purchaser only, for a period of three years from the date of original purchase shipped. Labor to replace these parts is covered for one year on all models. We shall not be responsible or obligated to pay for any costs or expenses for examination of any warranted parts nor is Journey Health & Lifestyle to pay cost for transportation, handling and packaging of the parts or components.

Terms Applicable to Warranty

We will, at our option, repair and/or replace the defective parts and/or components provided that the warranty parts have not been subject to misuse, abuse or improper service by the consumer, have not been damaged in transit or handling and/or have not been altered or repaired by unauthorized representatives. This warranty does not include costs for unnecessary service calls, i. e., in-home service calls solely for the purpose of educating the consumer about the product, or finding an unsatisfactory power connection, etc. Exceeding the weight capacity of the chair will void the warranty. Fabric shading cannot be guaranteed for replacement parts or replacement chairs.

The Perfect Sleep Chair weight capacity is 375 lbs.

Warranty Exclusion

Journey Health & Lifestyle does not provide warranty for the batteries. Batteries are a consumable item that can drain, even without use, over time.

In the event that the product does not conform to this warranty at any time while this warranty is in effect, we will correct the defect in conformity with this warranty. THE WARRANTY SET FORTH ABOVE IS THE SOLE AND ENTIRE WARRANTY PERTAINING TO THE PRODUCT AND IS IN LIEU OF AND EXCLUDES ALL OTHER WARRANTIES OF ANY NATURE WHATSOEVER, WHETHER EXPRESSED, IMPLIED, OR ARISING BY OPERATION OF LAW INCLUDING, BUT NOT LIMITED TO ANY IMPLIED WARRANTIES OF MERCHANTABILITY OR FITNESS FOR A PARTICULAR PURPOSE. THIS WARRANTY DOES NOT COVER OR PROVIDE FOR THE REIMBURSEMENT OR PAYMENT OF INCIDENTAL OR CONSEQUENTIAL DAMAGES.

Some states do not allow this exclusion or limitation of incidental damages so the above limitation or exclusion may not apply to you.

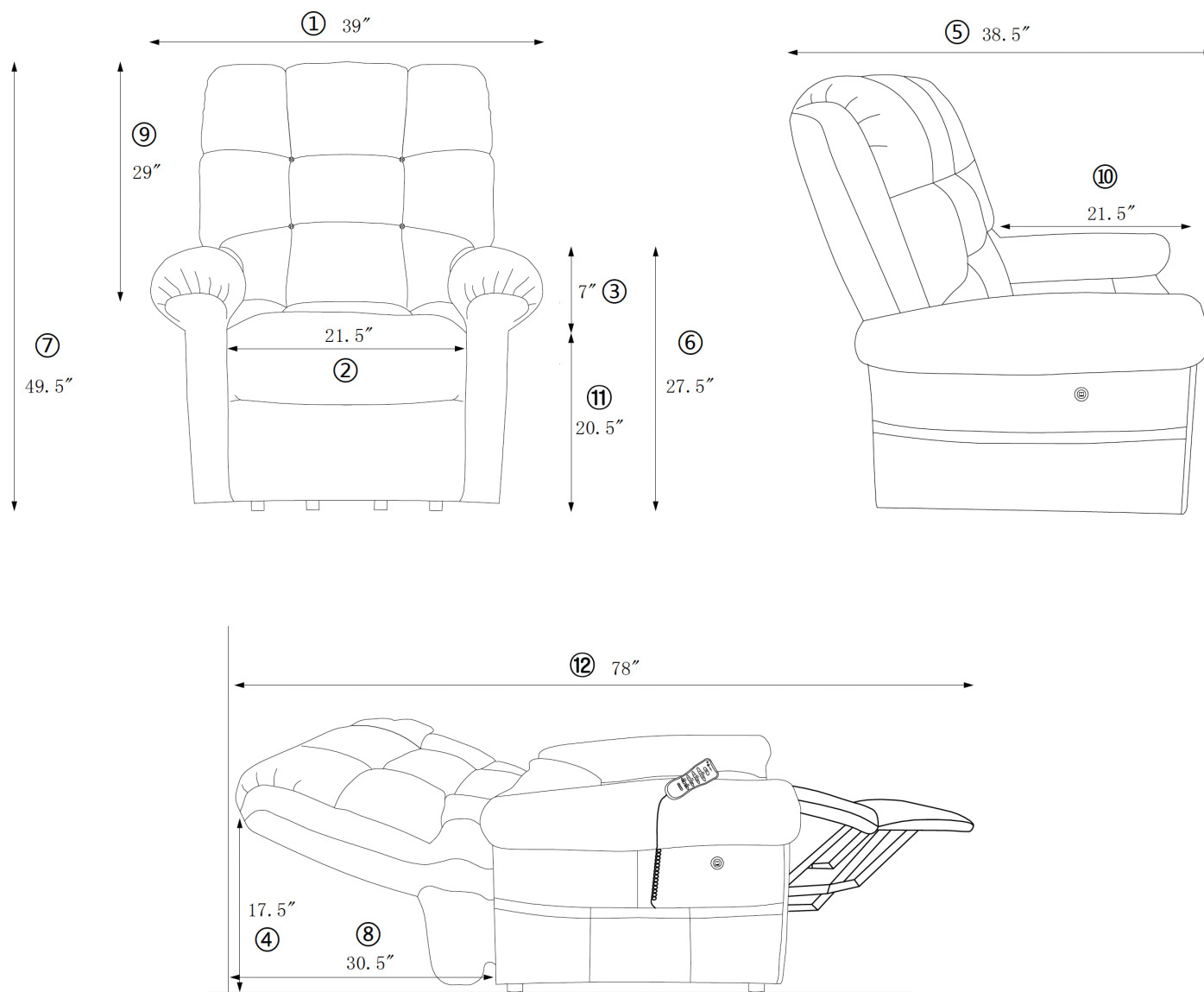
Journey Health & Lifestyle shall not be liable for any incidental or consequential damage or loss not contained in this Warranty.

This warranty gives you specific legal rights, and you may also have other rights, which may vary from state to state.

All warranty claims must be approved by Journey Health & Lifestyle before any service is performed.

Warranty is valid in all 50 U.S. states.

VII. DIMENSIONS



- ① : Overall Width ----39"
- ② : Seat Width-----21.5"
- ③ : Arm Height from Seat----7"
- ④ : Back Height to Floor----17.5"
- ⑤ : Overall Depth-----38.5"
- ⑥ : Arm Height to Floor----27.5"

- ⑦ : Overall Chair Height----49.5"
- ⑧ : Distance to Wall----30.5"
- ⑨ : Top of Back to Seat----29"
- ⑩ : Seat Depth-----21.5"
- ⑪ : Seat to Floor Height----20.5"
- ⑫ : Full Recline-----78"

VIII. FOR YOUR RECORDS

Please fill in your Perfect Sleep Chair information below. This information will be useful in the event that you should ever need to contact Customer Service concerning your chair.

Date of Purchase _____

Model _____

Serial Number _____



6800 Paragon Place, Ste. 520

Richmond, VA 23230

1-800-958-8324

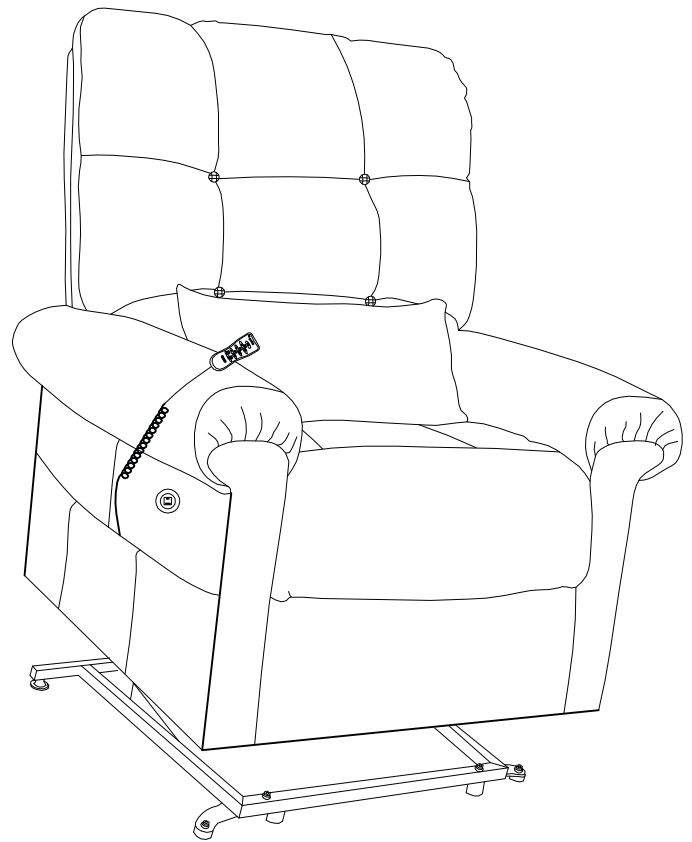
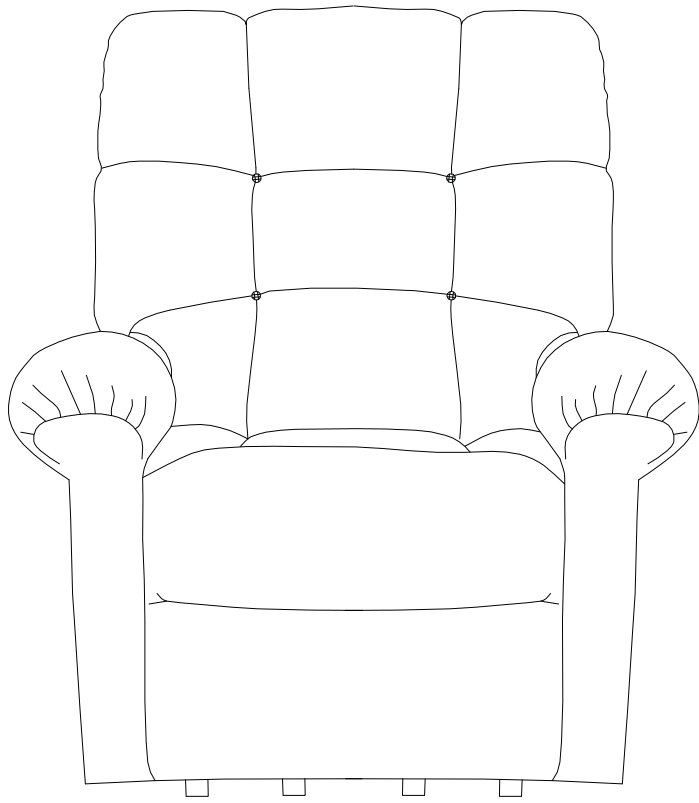
www.shopjourney.com

CAUTION

Do not allow children to play on this mechanized furniture or operate the mechanism.

Be careful when lowering the leg rest, because it folds down on closing such that a small child or pet could be injured if underneath.

Always leave chair in a sitting position. Keep hands and feet clear of mechanism. Only the occupant should operate it.



journey
**perfect
sleep chair®**

If you have any questions, call us at our toll free number:

1-800-958-8324

or visit www.shopjourney.com