

MAGENTA LINE INDICATES TRIM LINE _ **DO NOT PRINT**

CYAN DOTTED LINE INDICATED FOLD LINE _ **DO NOT PRINT**



Foot Massager Manual

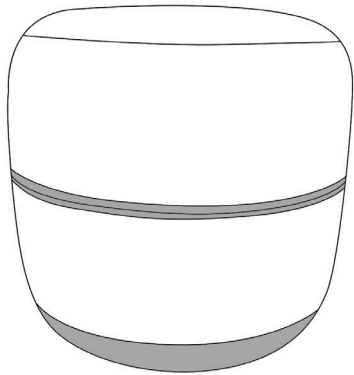
Please read this manual carefully before using
and store in a safe place

Ottossage

MAGENTA LINE INDICATES TRIM LINE _ **DO NOT PRINT**

CYAN DOTTED LINE INDICATED FOLD LINE _ **DO NOT PRINT**

● PRODUCTS AND ACCESSORIES



Main part
Upper and bottom cover



charger



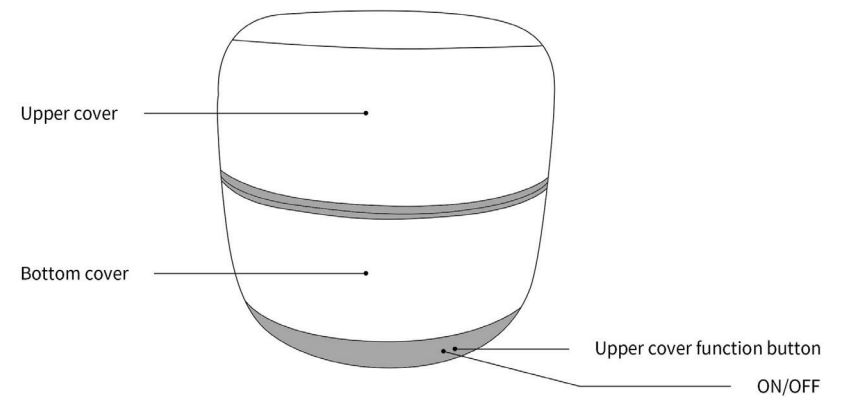
Manual



Screw nuts 5

● NAME AND FUNCTION OF EACH COMPONENT

EXTERNAL STRUCTURE

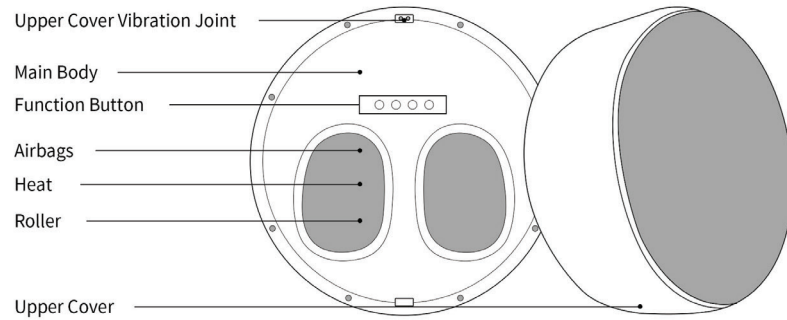


MAGENTA LINE INDICATES TRIM LINE **_ DO NOT PRINT**

CYAN DOTTED LINE INDICATED FOLD LINE **_ DO NOT PRINT**

● NAME AND FUNCTION OF EACH COMPONENT

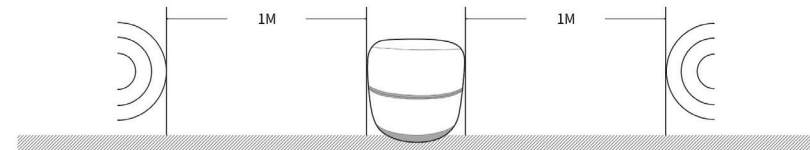
INTERNAL STRUCTURE



03

● PREPARATION BEFORE USING

INSTALLATION POSITION · In order to prevent signal interference, please Keep at least 1 m away from the IV, radio and other video and audio devices.



CAUTION

- When charging, straighten the adapter so that it does not get entangled and damaged
- Charging time shall not exceed 3 hours
- Do not charge with a non-original adapter

GROUNDING INSTRUCTIONS

- This product must be grounded to Avoid electric shock
- Do not place the product on uneven ground for use

SURROUNDING ENVIRONMENT

- Keep the foot massager away from damp places (for example: bathroom) to avoid electric shock
- Keep the foot massager away from high temperatures sources (for example: stove) to avoid fire or damage material

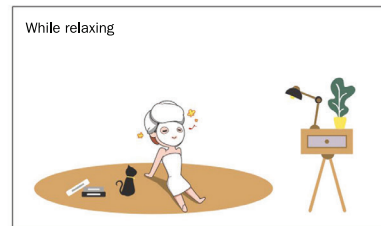
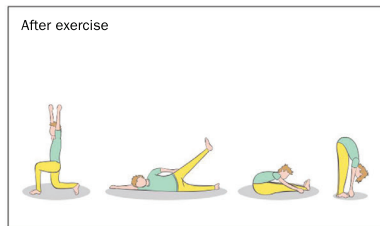
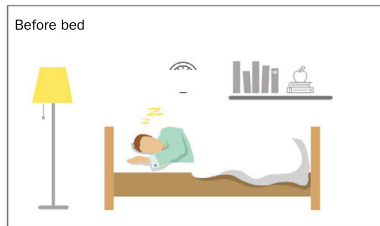


04

MAGENTA LINE INDICATES TRIM LINE _ **DO NOT PRINT**

CYAN DOTTED LINE INDICATED FOLD LINE _ **DO NOT PRINT**

● USAGE RECOMMENDATIONS



05

● OPERATION GUIDE OF MASSAGER



POWER CONNECTION

- Lithium battery design, in the case of sufficient power, no need to connect the adapter for use; If the power is low, it can be used after charging



Upper Body Function

- Under the condition that the upper cover is closed, the upper cover cushion can be used for massage



Foot massager

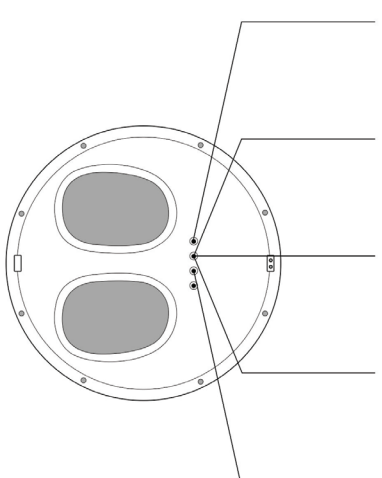
- After opening the top cover, you can use the foot massager

06

MAGENTA LINE INDICATES TRIM LINE _ DO NOT PRINT

CYAN DOTTED LINE INDICATED FOLD LINE _ DO NOT PRINT

● OPERATION GUIDE OF FOOT MASSAGER



ON/OFF

- Turn on/off foot massage and the red light flashes to indicate low power

Program Button

- Press the program button and the massage mode can be changed to show the green light, and the vibration airbag roller mode can be operated

Program Button

- Press the program button to switch the massage mode to display the yellow light and the airbag mode can be operated

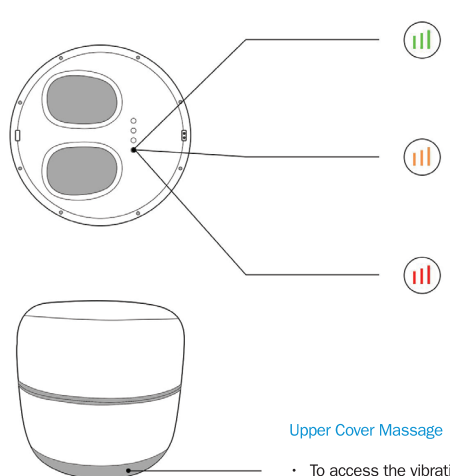
Program Button

- Press the program button, the massage mode can be changed to display red light, and the vibration roller mode can be operated

Heat Button

- ON/OFF Foot Heat Function

● OPERATION GUIDE OF FOOT MASSAGER



INTENSITY

- Press this button to switch the massage strength. The green light indicates the lowest massage intensity

INTENSITY

- Press this button, the massage intensity can be changed. The yellow light indicates that the massage intensity is medium

INTENSITY

- Press this button, the massage can be switched to the strong and weak display red light indicates the highest massage intensity

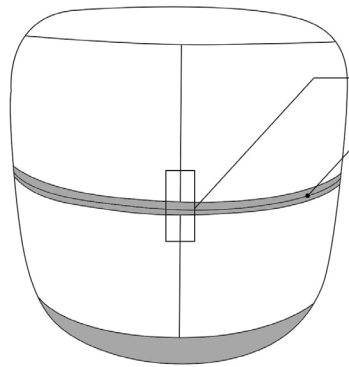
Upper Cover Massage

- To access the vibration plate, replace the upper cover so that it is properly seated, and press the button on the bottom of the machine by the plug port.

MAGENTA LINE INDICATES TRIM LINE _ **DO NOT PRINT**

CYAN DOTTED LINE INDICATED FOLD LINE _ **DO NOT PRINT**

● AFTER USE INSTRUCTION



Caution

- Align the joint of the top cover with the joint of the main engine base
- Make sure top cover and main engine base are fully closed

* the upper and lower cover is not fully closed, the machine and the finish will be damaged

● SAFETY PRECAUTIONS



CAUTION

- Before using, please read the "SAFETY PRECAUTIONS" carefully to ensure proper operation

CONTROLLER

- Do not use wet hands to operate the controller or pull the controller wire
- Do not splash water on the controller to avoid function failure
- Do not place heavy objects on the controller

CHARGER

- Do not use adapters outside of the original factory to avoid fire or damage to the product
- The charging time of the adapter shall not exceed 3 hours
- Do not plug the adapter with wet hands to avoid electric shock
- Remove the adapter by holding the plug of the adapter rather than the wire
- Do not squeeze adapter wires by products or other heavy objects
- Do not damage or damage excessive bending, pulling, twisting and knotting adapter wires
- When the adapter wire is damaged, do not disassemble or replace it without permission. A qualified professional should be contacted for replacement and repair

Usage environment

- Do not use in higher than 40°C

MAGENTA LINE INDICATES TRIM LINE _ DO NOT PRINT

CYAN DOTTED LINE INDICATED FOLD LINE _ DO NOT PRINT

● SAFETY PRECAUTIONS

- Usage environment
- Do not use in lower than 0 °C
 - Do not use this product in damp or dusty environment to avoid electric shock or machine failure
 - Do not use during a lightning strike and unplug the adapter from the power socket
 - Do not place the product on uneven ground for use
 - Do not place this product near a stove or in direct sunlight
- Prohibited Disassembly
- Do not disassemble the internal components of this product without permission to avoid the possibility of machine failure
 - In addition to the repair technician designated by the company, the product must not be disassembled, repaired or modified. If there is any problem, please contact the dealer in time
- Remove plug
- Remove the power plug from the socket during maintenance. In addition, do not pull the plug with wet hands to avoid electric shock and injury
 - Remove the power plug from the socket after use or when not in use
 - In case of power failure, please immediately cut off the power switch and unplug the power plug from the socket
- Attention
- Only people less than 265lb are acceptable

● SAFETY PRECAUTIONS

- Attention
- Do not use other therapeutic equipment in the same time of using this unit
 - This product can only be used by one person. Do not use two or more people at the same time
 - When using this product, please take off the ankle decorations
 - Before use, please confirm whether the fabric of all contact parts is damaged. If there is any damage, please stop using immediately and entrust to repair in time
 - Please stop using it immediately and consult your doctor if you feel any physical abnormalities during use
- CAUTION
- It is recommended to use this product for 10 minutes
 - Make sure there are no animals or other items in the main machine before use
 - If you do not use this product for a long time, please charge it every other month, otherwise it will damage the battery
 - Do not stand on this product to avoid injury or malfunction
 - Do not push or pull on floors and carpets that are easily damaged
 - This product must be kept in a well-ventilated place and not exposed to strong sunlight
- MEDICAL WARNINGS
- Not recommended for the following people.
- Patients with serious hyperostosis
 - Swollen lump and patient thrombosis
 - Patients with serious heart conditions

MAGENTA LINE INDICATES TRIM LINE _ DO NOT PRINT

CYAN DOTTED LINE INDICATED FOLD LINE _ DO NOT PRINT

● SAFETY PRECAUTIONS

MEDICAL WARNINGS

- Pregnant Women
- People that consume large amounts of alcohol
- People with diabetes
- People suffering from high fever
- Patients with malignant tumors or malignant abscesses
- People with distorted joints

● TROUBLE SHOOTING GUIDE

Problems/Issues	Possible Cause	Trouble Shooting Method
Sounds like tapping or hum sounds	The normal sound of the motor working normally or the friction between the massage wheel and the cloth cover	Normal
Unable to turn on	No Battery	Use after charging

If problems are not from above reasons, please turn off power supply and contact the retailer

Note : Do not dismantle the product by yourself, and our company shall shoulder no responsibility to the damage of the product or the inquiry of people caused by improper use. Thanks for your cooperation

● Kindly Remind

Be sure to check for the following symptoms during year-round use

- Burnt smell
- The electricity is abnormal
- The power cord heats up
- Other abnormal phenomenon
- If the above phenomenon occurs, in order to prevent the occurrence of faults and accidents, please stop using foot massager - cut off the power switch, unplug the power switch, and contact the dealer you bought this product

● SPECIFICATION

Name	Foot Massager	Rated Voltage	110-220v
Package Size	455X455X455mm	Rated Power	50/60Hz
Color choice	Grey/pink/blue	Noise	≤55dB
G. W	12Kg	Safety Design	Class I
N. W	9.96Kg	Weight Capacity	120Kg
Standard	GB4706.1-2005 GB4706.10-2008		