

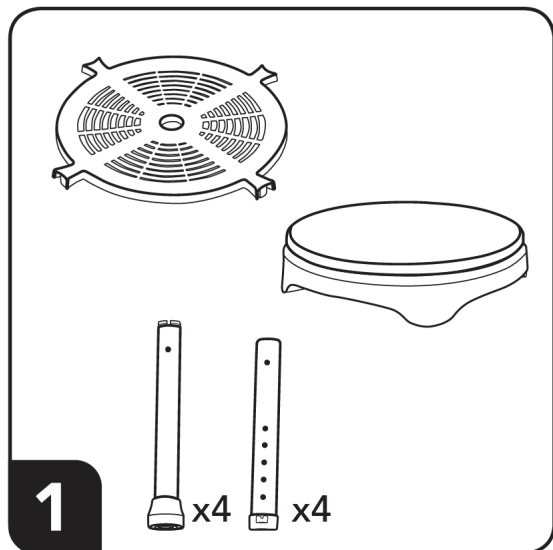
EZ Swivel Stool

PRODUCT MANUAL

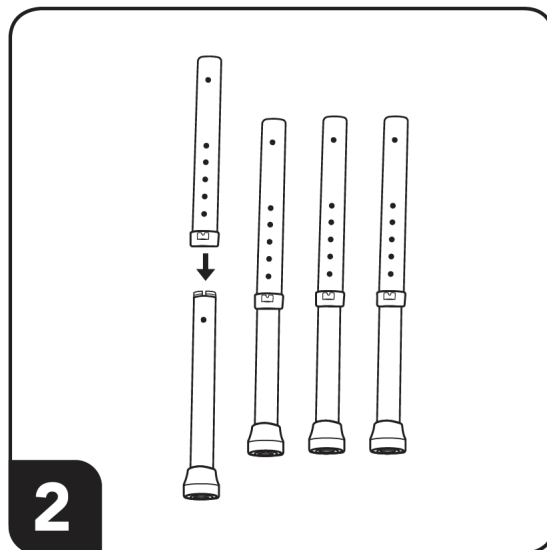




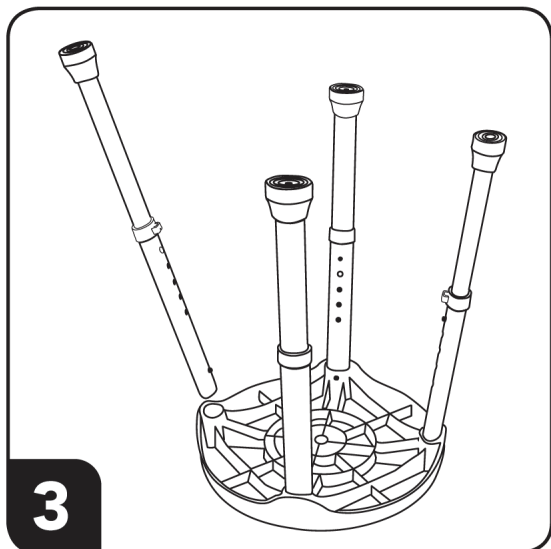
CAUTION: Always use caution entering and exiting the tub.



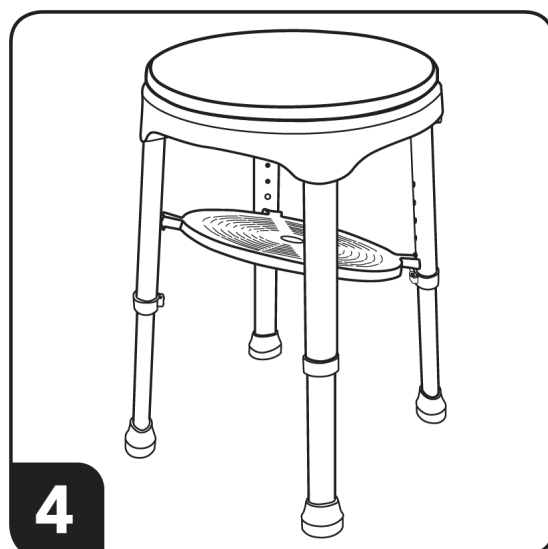
Check all parts.



Assemble legs.



Connect legs to seat base.



Attach storage shelf using slots on legs.

EZ Swivel Stool 12-Month Limited Warranty

Journey Health and Lifestyle warrants the frame and mechanical components to be free from defects in materials and workmanship for a period of twelve (12) months from the original purchase date. The originally supplied stool is all warranted to be free from defects in materials and workmanship for a period of six (6) months from the original purchase date. If within such warranty period the components or parts referenced in this paragraph shall be proven to Journey Health and Lifestyle's satisfaction to be defective, the product shall, at Journey Health and Lifestyle's option, be repaired or replaced with new or refurbished product components. In some cases, an installation kit with instructions may be provided to the owner to facilitate installation of a replacement product component. This warranty does not include any labor charges incurred in product component installation. The warranty period of the repaired or replaced product shall terminate with the termination of the warranty period for the original product. Journey Health and Lifestyle's sole obligation and your exclusive remedy under this warranty shall be limited to such repaired or replaced product.

Contact Journey Health and Lifestyle before sending any product for warranty repair or replacement. Do not send any product without our prior written consent.

Limitations and Exclusions:

This warranty does not cover damage, deterioration or malfunction resulting from accident, negligence, misuse, abuse, occupancy by more than one user and cargo weight above that specified in this Product Manual; improper storage; improper operation or failure to follow instructions according to this Product Manual; damage in shipment of the product (claims must be presented to the carrier); repair, attempted repair or modifications made by anyone other than Journey Health and Lifestyle; any unit on which the serial number has been defaced, modified or removed; normal wear items; any periodic maintenance; deterioration due to perspiration, corrosive atmosphere, or ground covering such as pine needles or crushed limestone dust, or other external causes such as punctures, extremes in temperature or humidity; damages related to lighting, flood or circumstances beyond Journey Health and Lifestyle's control; or products subjected to commercial or institution use.

This warranty applies in North America only and is extended only to the original purchaser of the EZ Swivel Stool product when purchased directly from Journey Health and Lifestyle (USA) or an authorized reseller. The warranty is nontransferable beyond the initial purchaser. This warranty gives you specific legal rights and you may also have other legal rights which vary from place to place.

The foregoing warranty is exclusive and in lieu of all other express warranties, implied warranties, including but not limited to the implied warranties of merchantability and fitness for a particular purpose, and shall not extend beyond the duration of the express warranty provided herein. Journey Health and Lifestyle shall not be liable for any consequential or incidental damages whatsoever and disclaims any liability beyond the initial purchase price of the EZ Swivel Stool product.

Copyright © 2022 Journey Health and Lifestyle

If you have any questions, call us at our toll-free number:

1-877-421-3724



EZ Swivel Stool

If you have any questions, call us at our toll free number:

1-877-421-3724