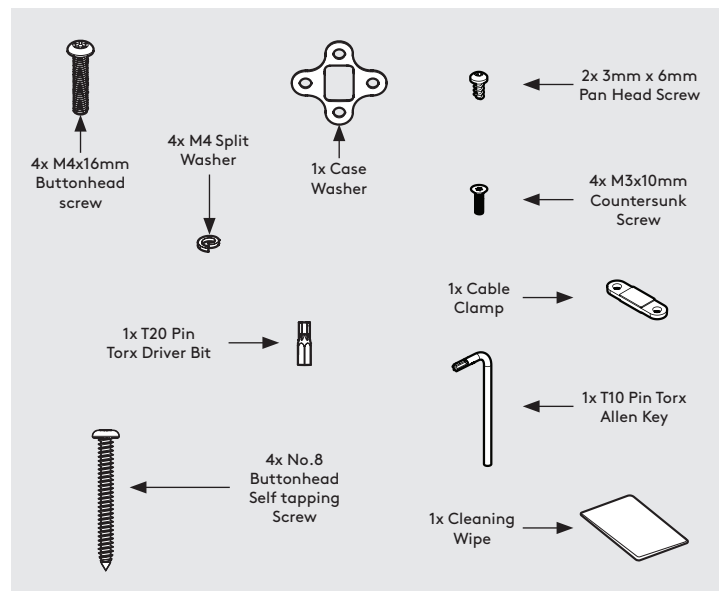
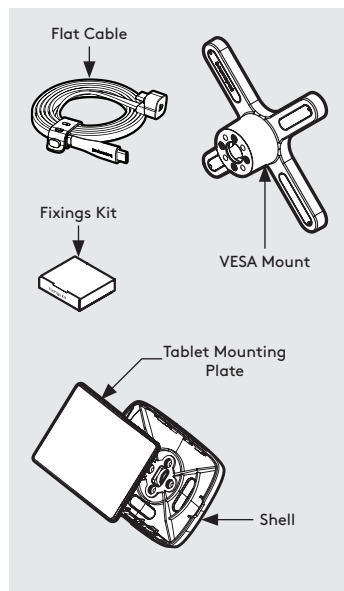


Core VESA

Assembly Instructions

Tools Required:

- Pencil
- Electric Drill
- 2.5mm Drillbit **if fixing to a surface*
- Socket Driver
- 16mm Holesaw **if routing the tablet cable through your mounting surface*



Sheet Code: BP-IM-085_REV2

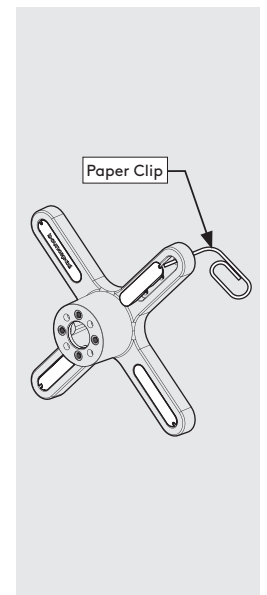
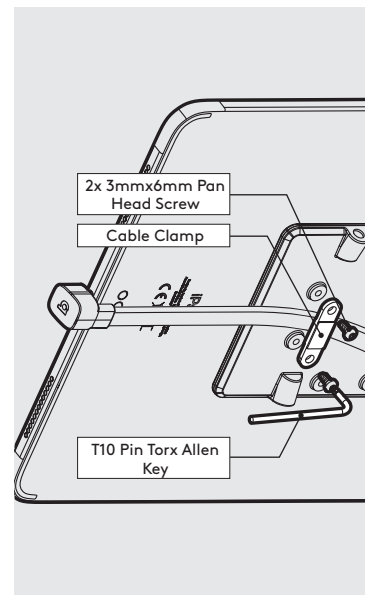
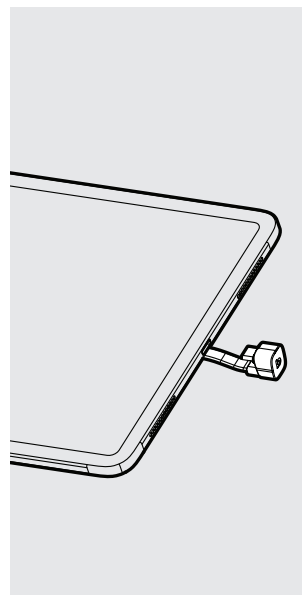
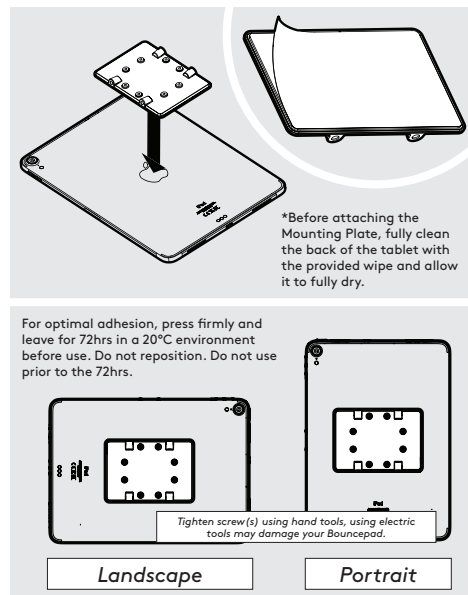
Release Date: 14/08/2024

Copyright 2024 Spotspot Ltd. (T/A Bouncepad) all rights reserved. Confidential, no part of this publication may be reproduced or transmitted in any form without the written permission of the copyright holder.

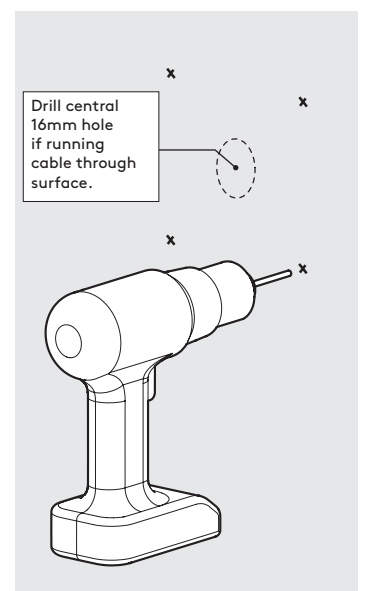
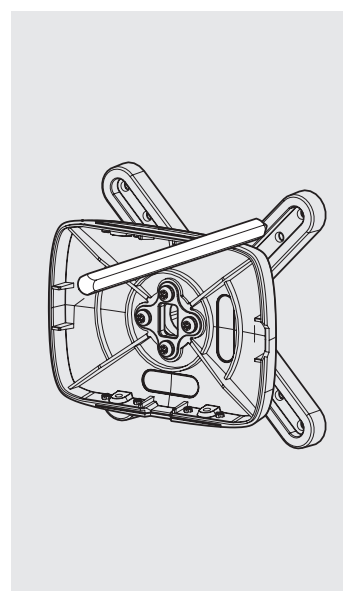
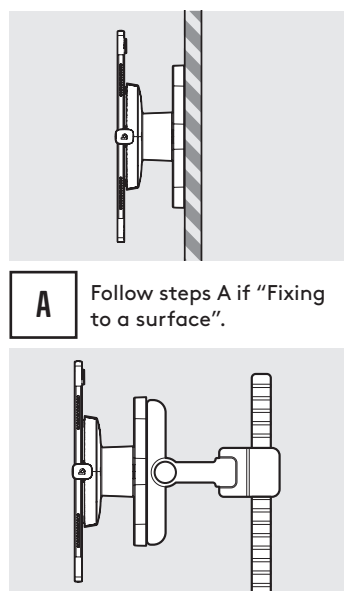
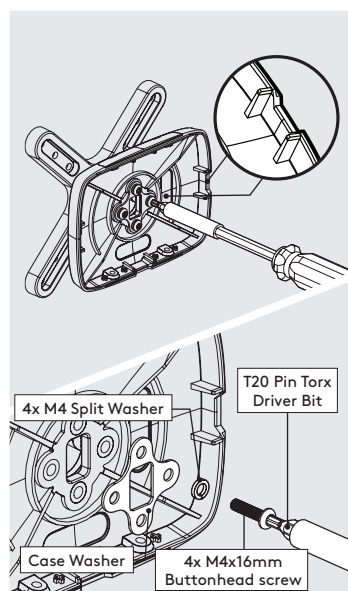


Fixings List

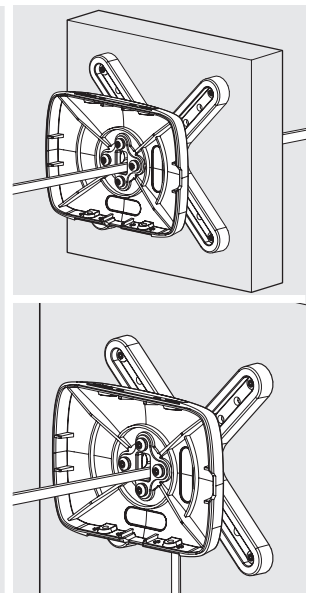
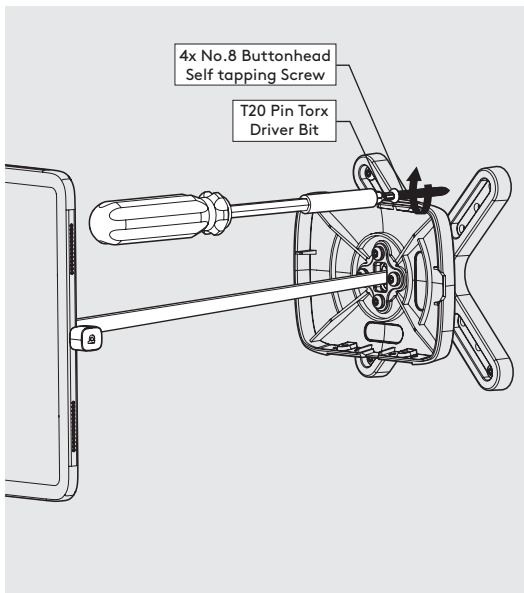
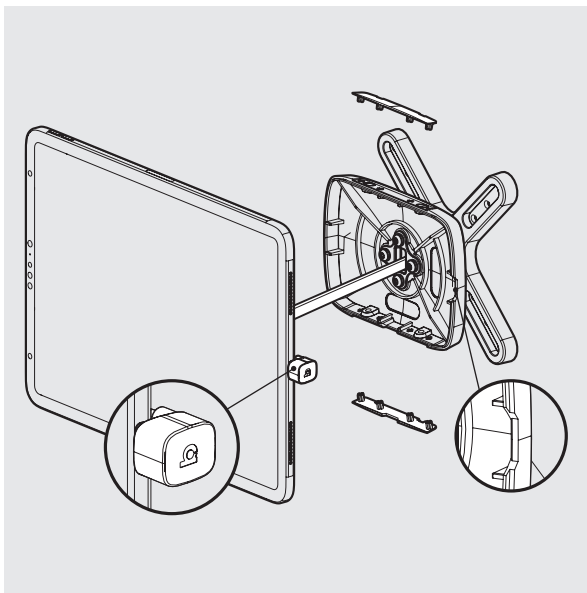
** Due to the modular nature of our product range you may receive additional fixings in the fixings kit*



- 1 Remove the Mounting Plate adhesive backing. Attach level & centrally to the Tablet back as shown.
- 2 Attach the Flat Cable to the Tablet with the U-Bend Head.
- 3 Secure the Flat Cable to the Mounting Plate with the Cable Clamp as shown.
- 4 Remove the VESA Fixing Covers with a Paper Clip.

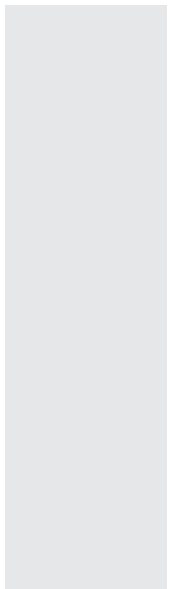
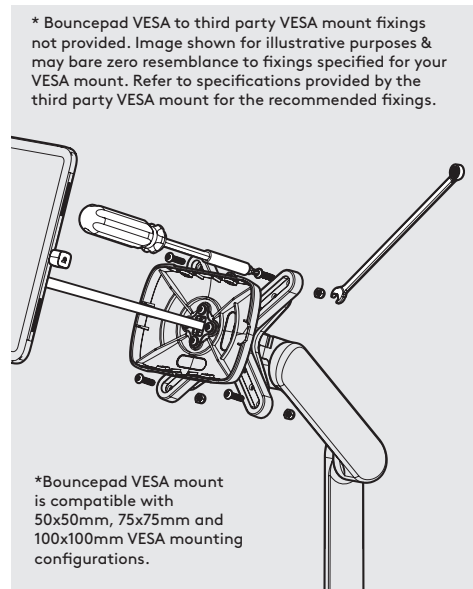
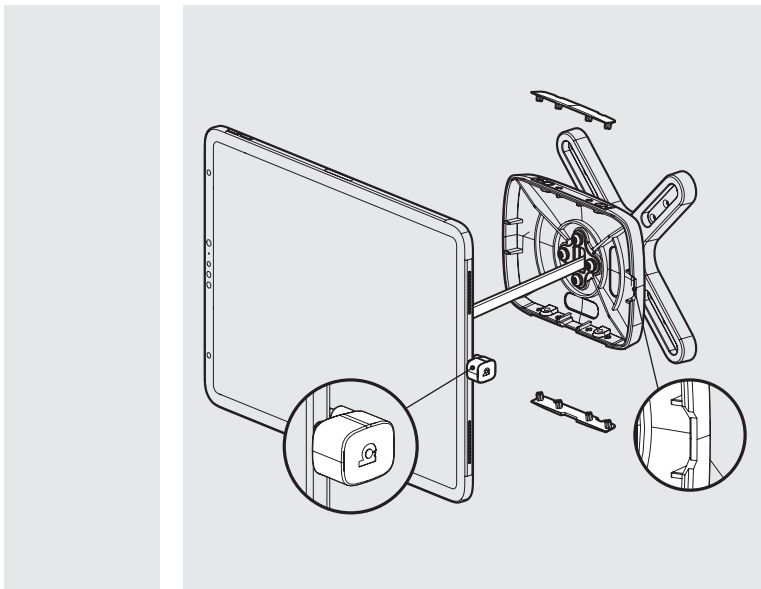


- 5 Locate & attach the Shell to the VESA in the correct orientation.
- A Follow steps A if "Fixing to a surface".
- B Follow steps B if "Fixing to a VESA Mount".
- A1 Position & mark where the VESA is to be located. Ensure the VESA is level.
- A2 Drill the fixing holes into your surface.



A3 Remove the Shell Fixing Covers. Feed the Flat Cable into the assembly & locate the Tablet in the chosen orientation.

A4 Attach the VESA to the surface with your chosen cable management.

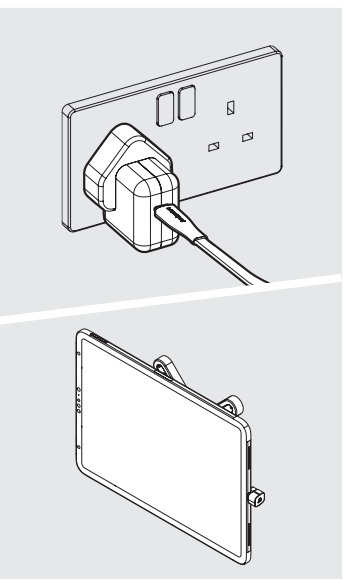
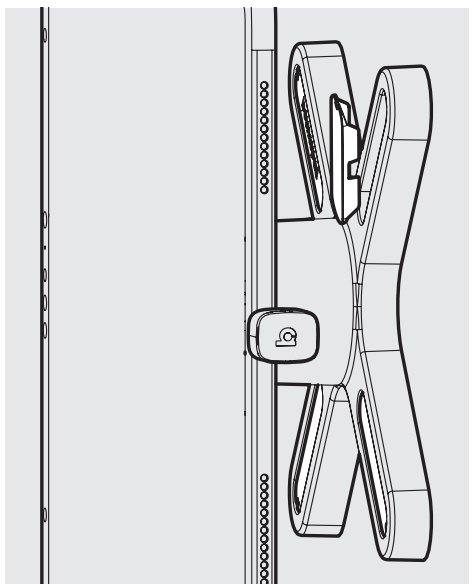
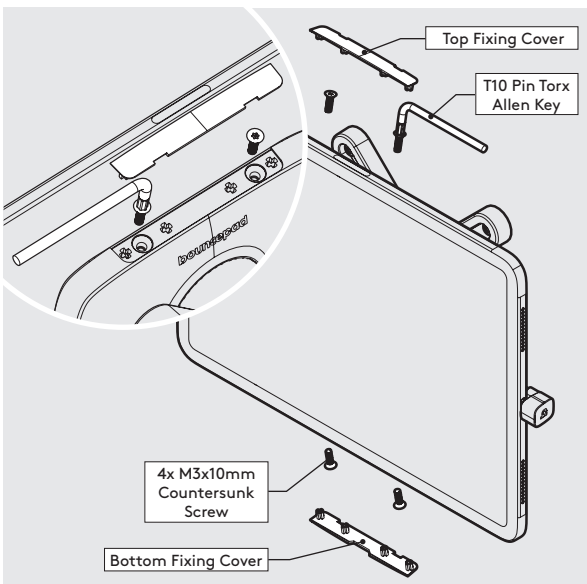


A5 Go to step 6.

B1 Remove the Shell Fixing Covers. Feed the Flat Cable into the assembly & locate the Tablet in the chosen orientation.

B2 Secure the Bouncepad VESA mount to VESA mounting bracket

B3 Go to Step 6.



6 Secure the Tablet to the Shell & attach the Shell Fixing Covers as shown.

7 Attach the VESA Fixing Covers to the VESA.

8 Connect tablet to power & installation is now complete.