

Utility Line

by bouncepad™

Utility Range - Grip

Assembly Instructions

Tools required for Desk/Wall Mount:

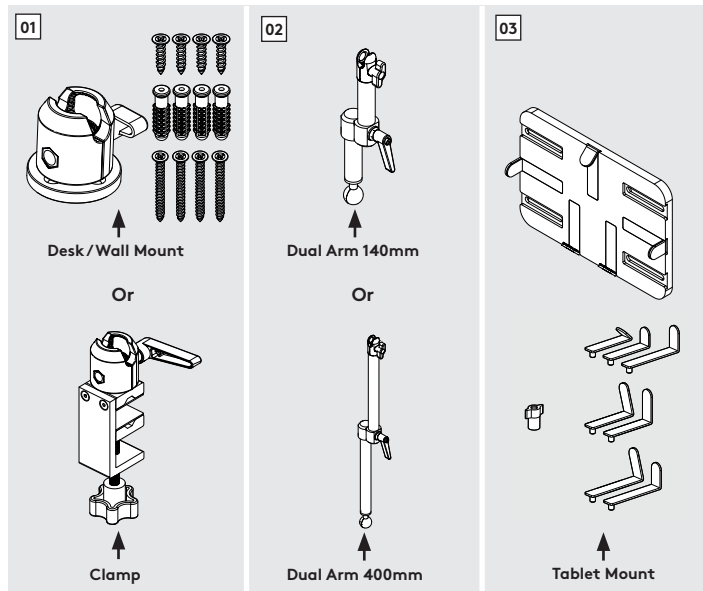
- Drill with 4mm and 6mm bits
- Screwdriver
- Pencil

* Other components do not require any tools

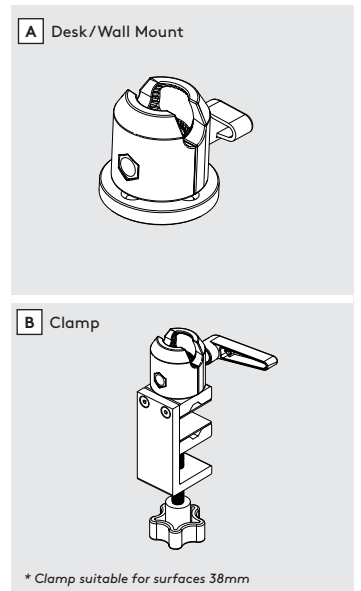
Sheet Code: BP-IM-076_REV3

Release Date: 22/11/2022

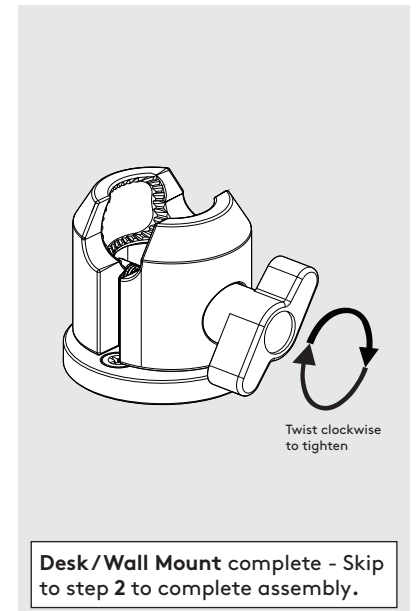
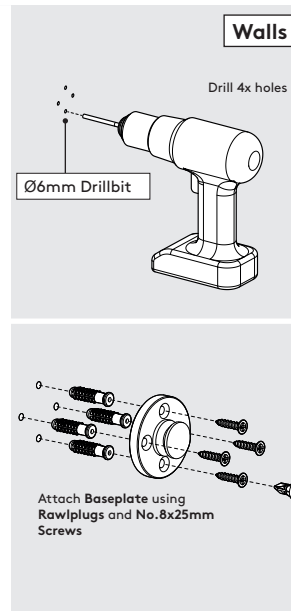
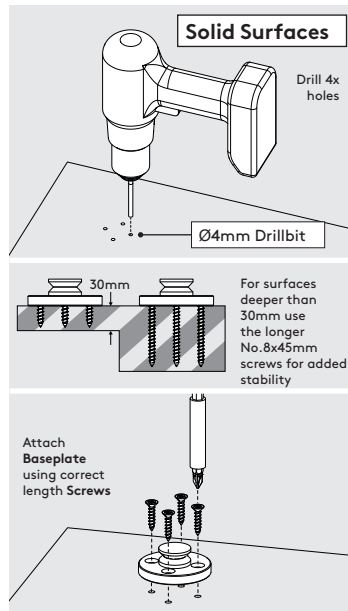
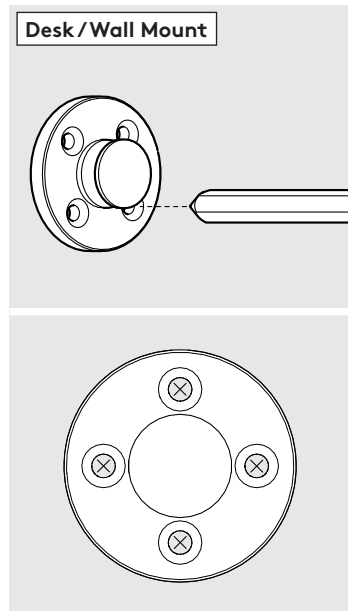
Copyright 2022 Spotspot Ltd. (T/A Bouncepad) all rights reserved. Confidential, no part of this publication may be reproduced or transmitted in any form without the written permission of the copyright holder.



In the Boxes



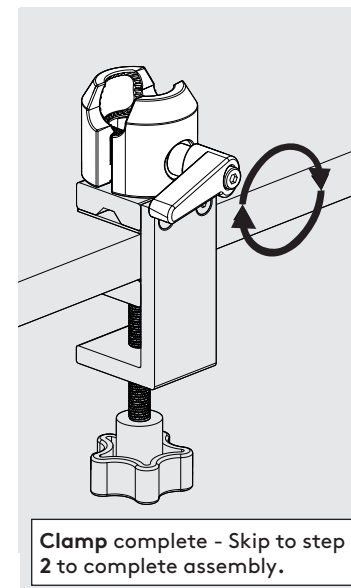
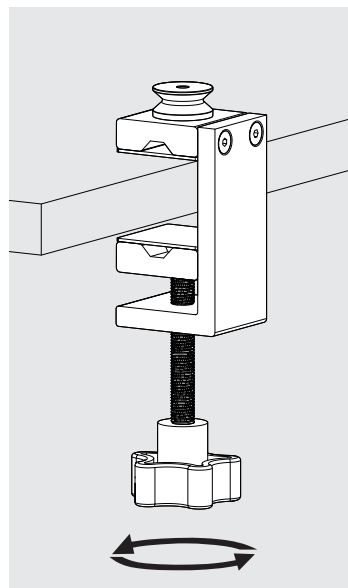
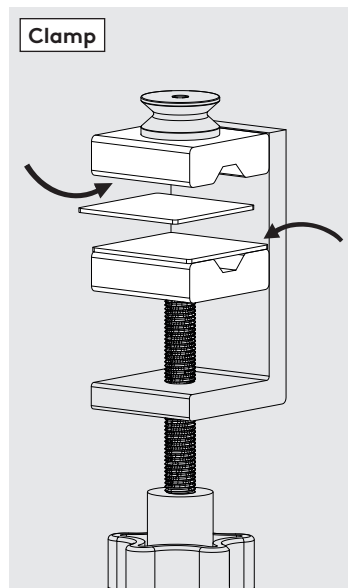
1 Follow instructions-A for Desk/Wall Mount and instructions-B for Clamp.



A1 Using the Baseplate as a guide, mark the drill holes.

A2 Drill 4x holes with a 4mm drill bit or a 6mm bit. Then fasten the Baseplate as detailed using a Screwdriver.

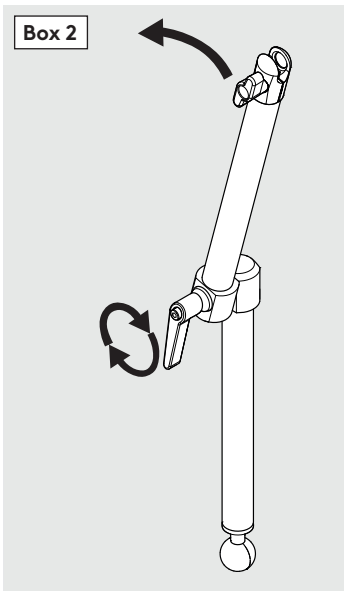
A3 Attach the Clamp to the Baseplate by twisting the Handle.



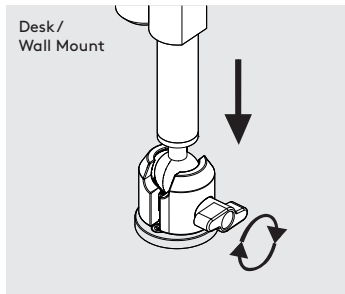
B1 Stick the Rubber Adhesive Pads onto the Clamp faces.

B2 Use the Handle to clamp the component onto the surface.

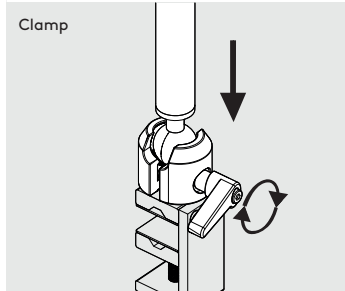
B3 Attach the upper Clamp to the Assembly by twisting the handle.



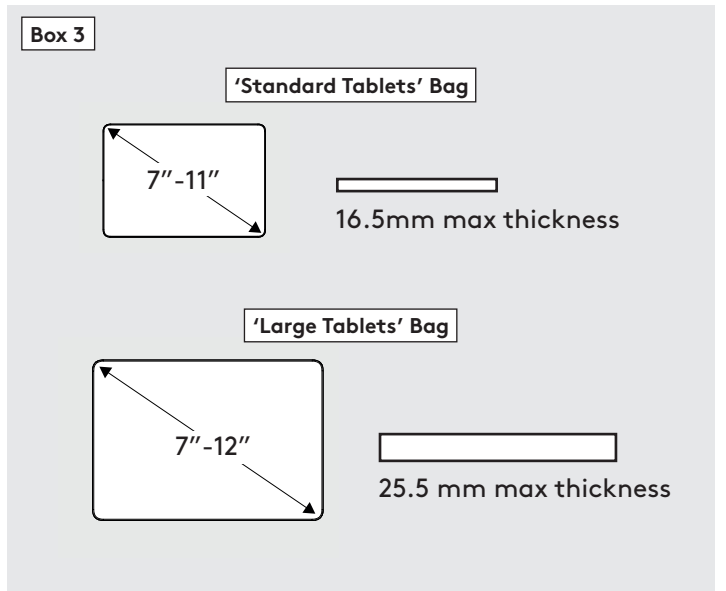
Box 2



Desk/
Wall Mount



Clamp



Box 3

'Standard Tablets' Bag

7"-11"

16.5mm max thickness

'Large Tablets' Bag

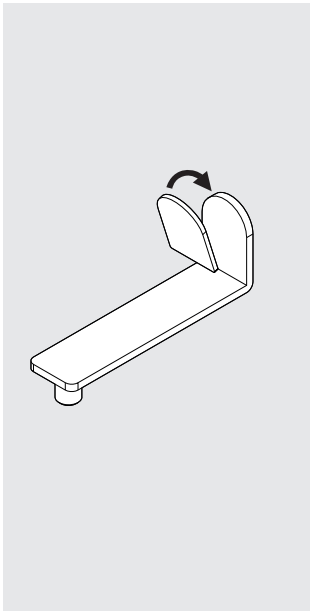
7"-12"

25.5 mm max thickness

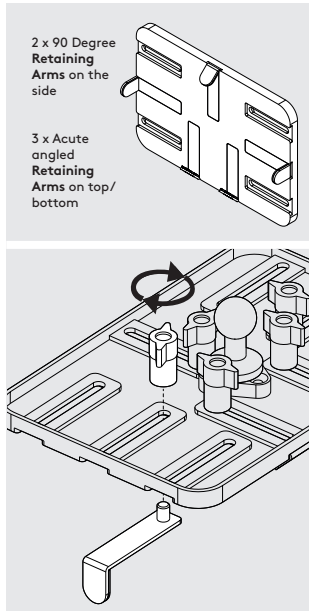
2 Straighten the Arm using the Handle at the joint.

3 Clamp the Arm to your Base as shown.

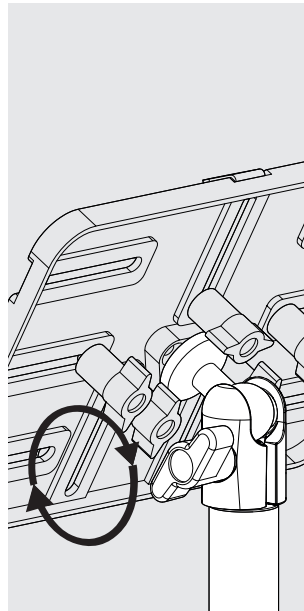
4 Select the correct Retention Arm Parts for your device.



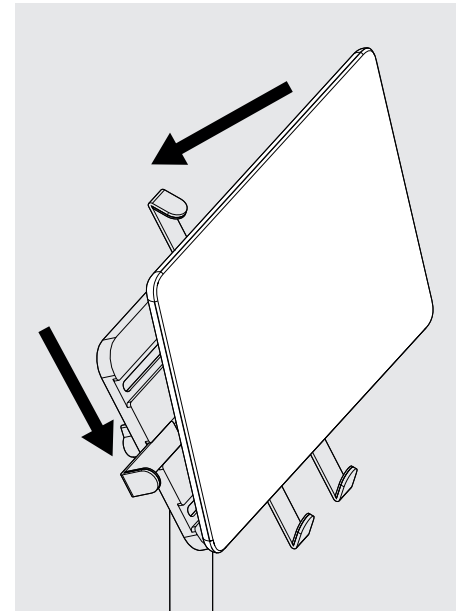
5 Attach Rubber Pads to the Retention Arms.



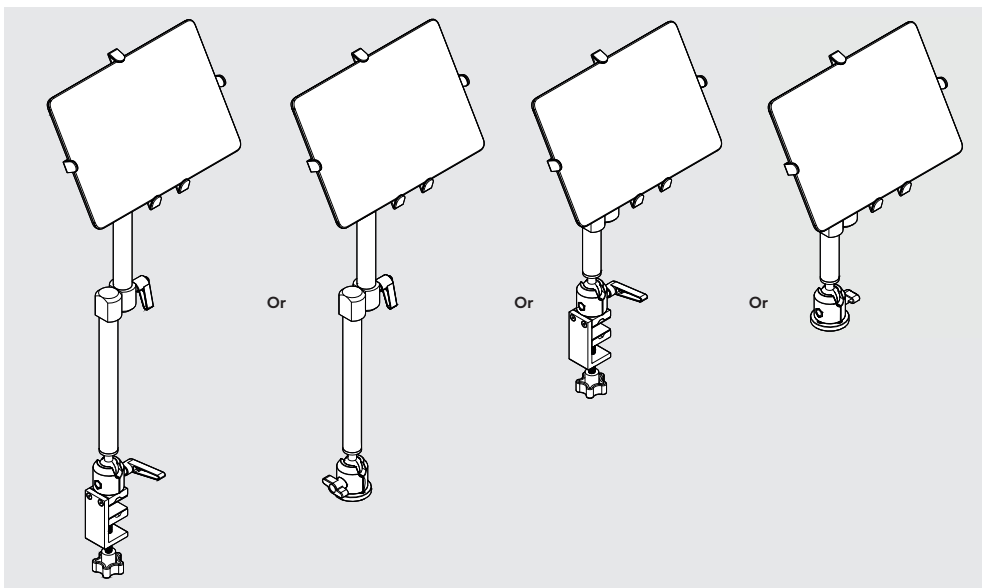
6 Attach Retention Arms to Tablet Mount as shown.



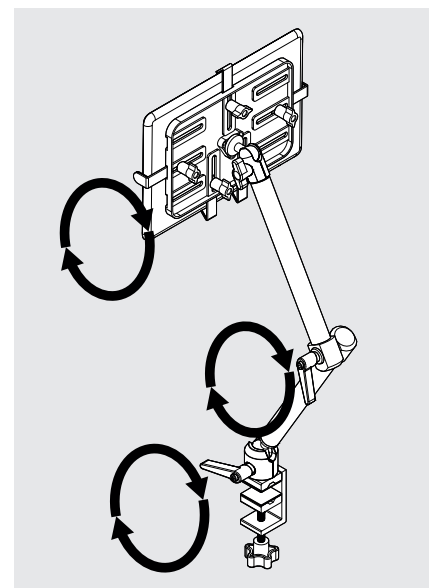
7 Clamp the Tablet Mount to the Arm.



8 Get your Tablet, loosen the Retention Arms and clamp them evenly around the Tablet.



9 Installation complete.



10 The device can be adjusted using the three handles.