

Wing - Slim

Assembly Instructions

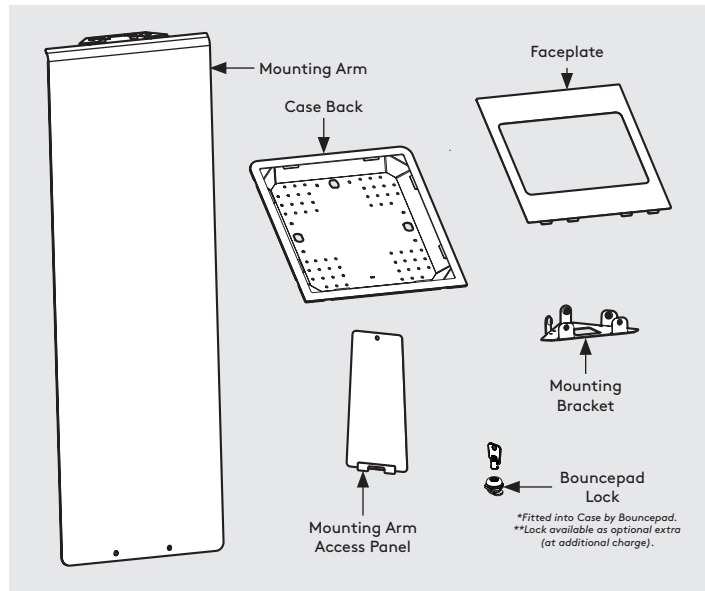
Tools Required:

- All tools provided

Sheet Code: BP-IM-071_REV1

Release Date: 24/05/2021

Copyright 2016 Spotspot Ltd. (T/A Bouncepad) all rights reserved. Confidential, no part of this publication may be reproduced or transmitted in any form without the written permission of the copyright holder.



8x M4x8mm
Buttonhead
screw

10x M6x10mm
Buttonhead
screw

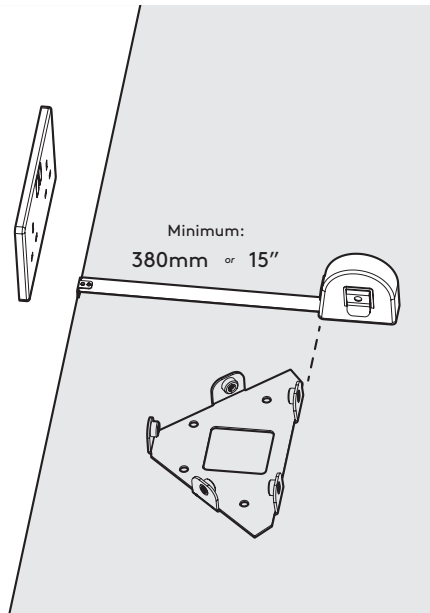
**fixings to attach the stand to the ground are not provided.*



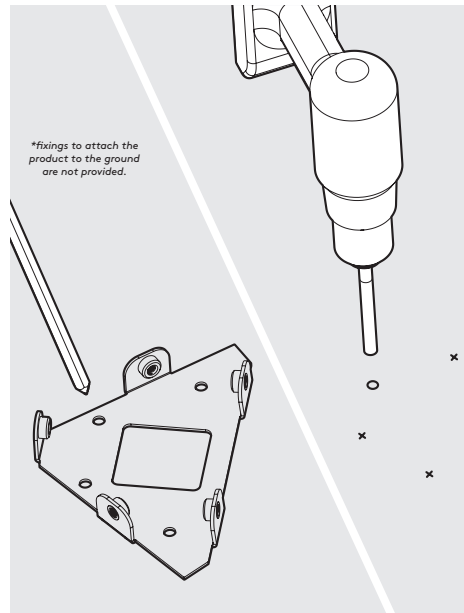
In the Box



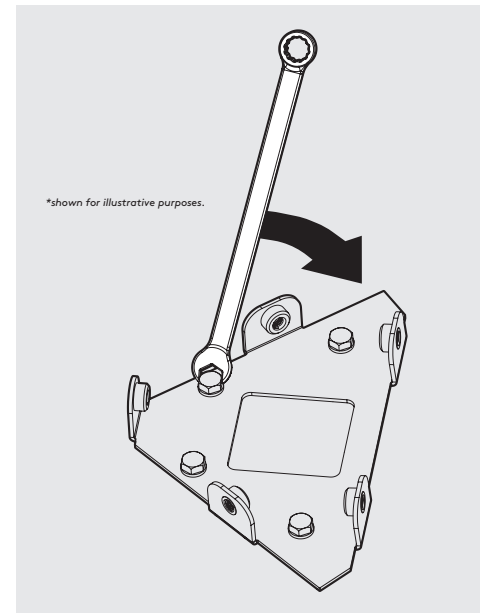
Fixings List



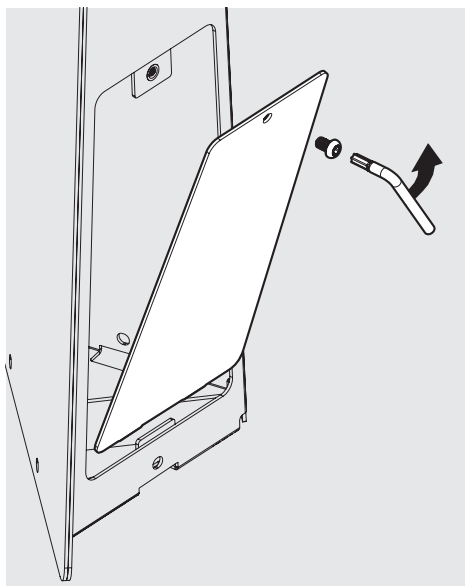
1 Position the Mount Bracket on the ground where the stand is to be located.



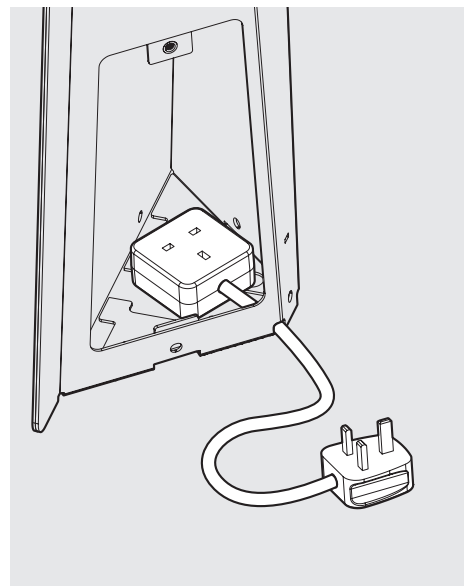
2 Mark your mounting surface, then drill (as appropriate to your chosen fixing method).



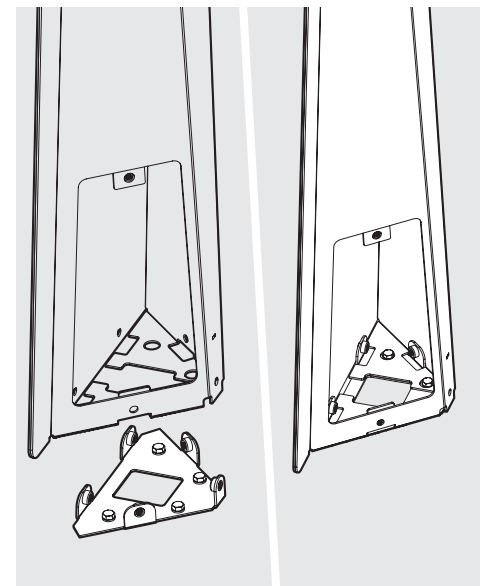
3 Secure the Mount Bracket to your mounting surface, with your chosen fixing method.



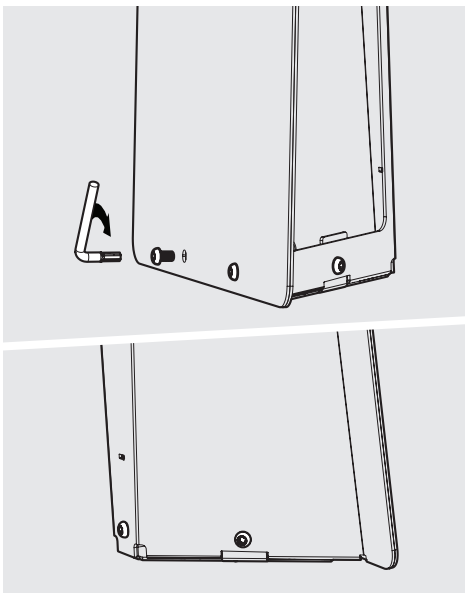
4 Remove the Access Panel from the Mounting Arm. Store all parts safely aside for use later.



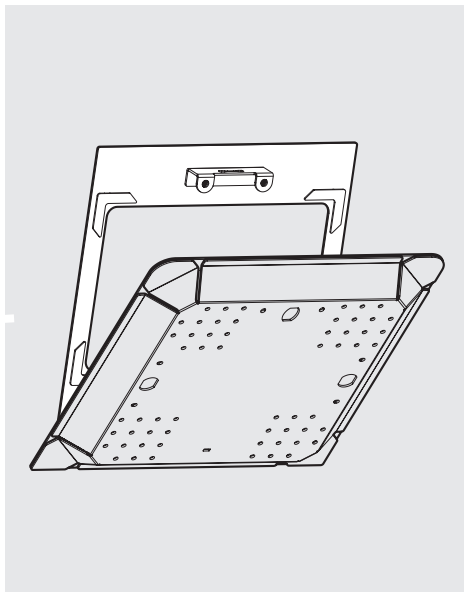
5 If using a hard-wired power supply, feed the cable into the Mounting Arm.



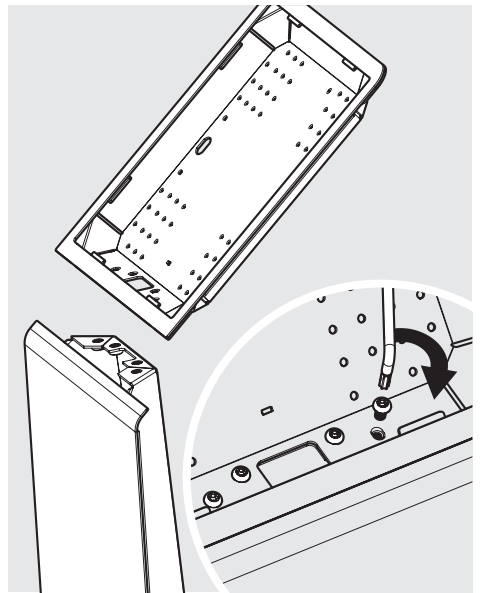
6 Locate the Mounting Arm onto the Mount Bracket as shown.



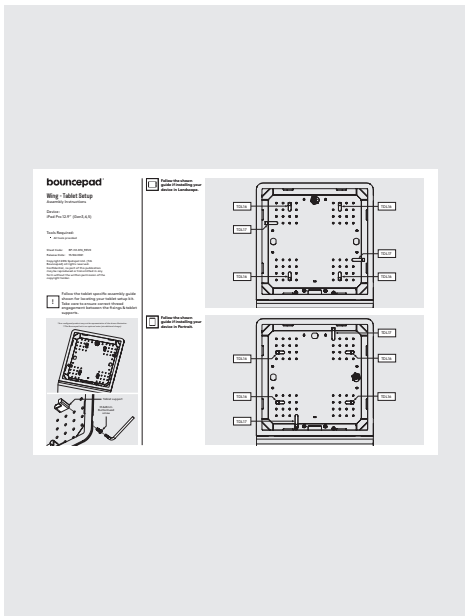
7 Secure the Mounting Arm to the Mount Bracket, with 5x M6x10mm screws.



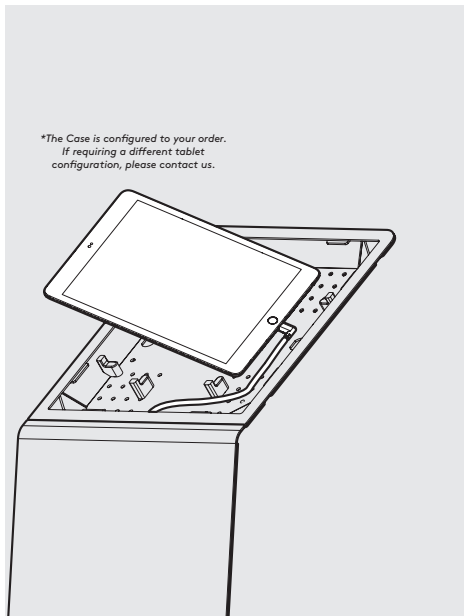
8 Remove the Faceplate from the Case Back. Store this aside.



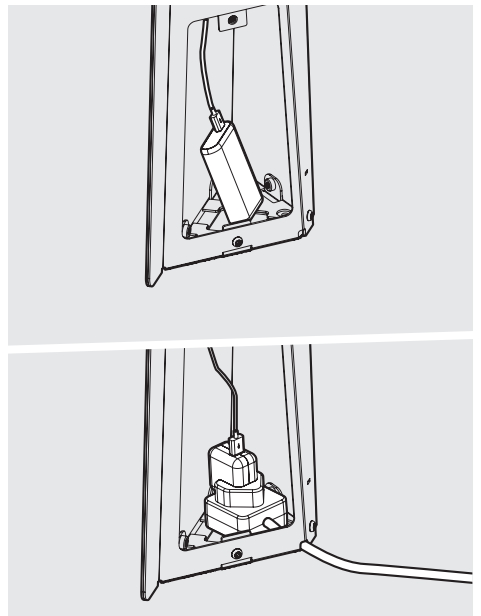
9 Locate and secure the Case Back to the Mounting Arm, with 4x M6x10mm screws. Ensure good Case alignment.



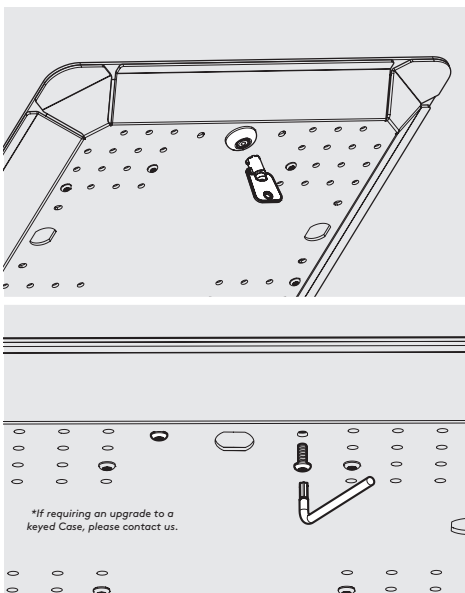
10 Complete the separate tablet setup document - specific to your tablet, device orientation & locking method.



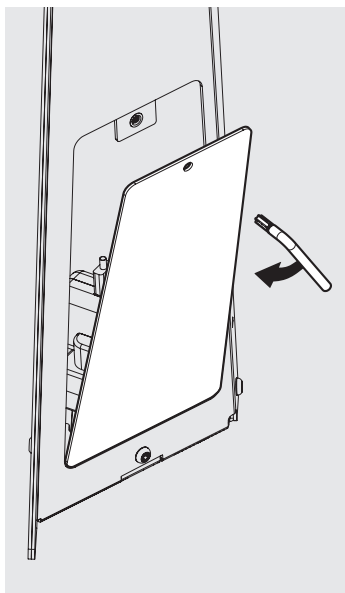
11 Install the tablet and the tablet power cable.



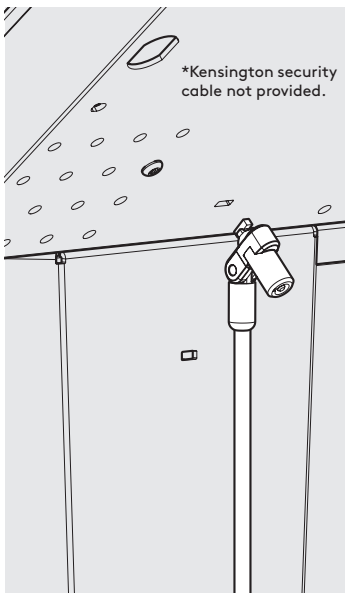
12 Connect the tablet to a power source.



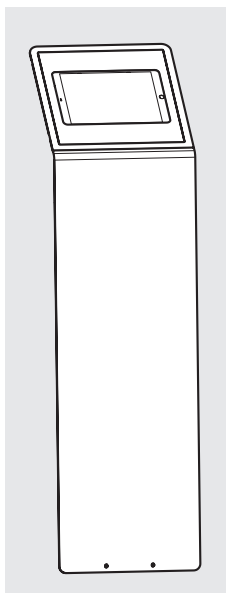
13 Secure the Faceplate shut with your chosen locking method.



14 Locate and secure the Access Panel to the Mounting Arm.



15 For added security, install a Kensington security cable.



16 Installation is complete.