

Floorstanding with Brother Printer Mount

Assembly Instructions

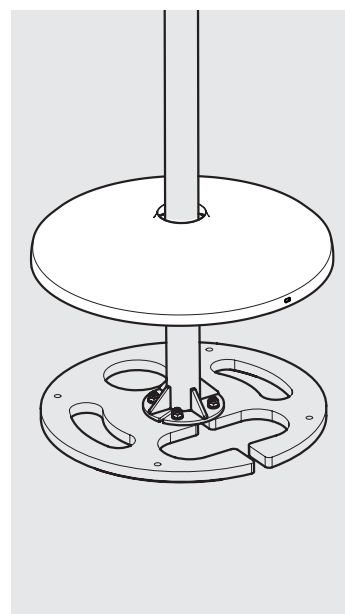
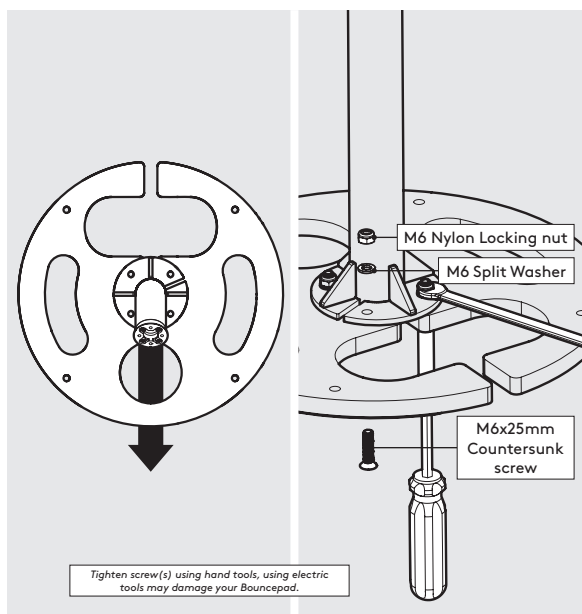
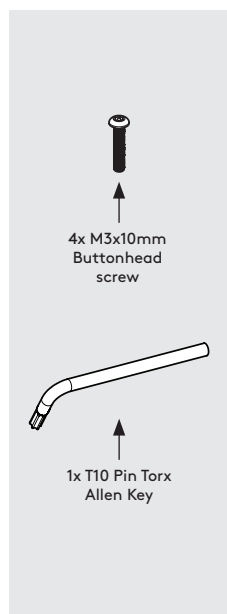
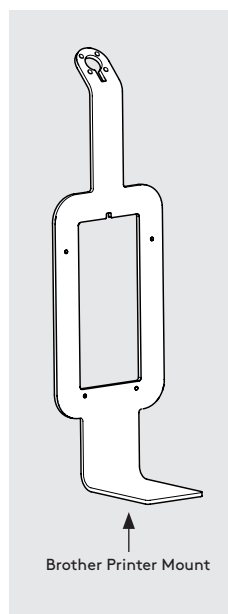
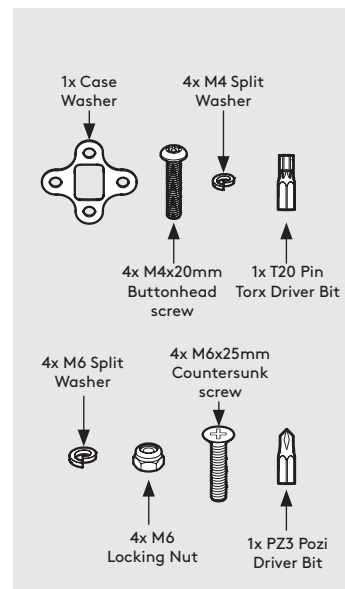
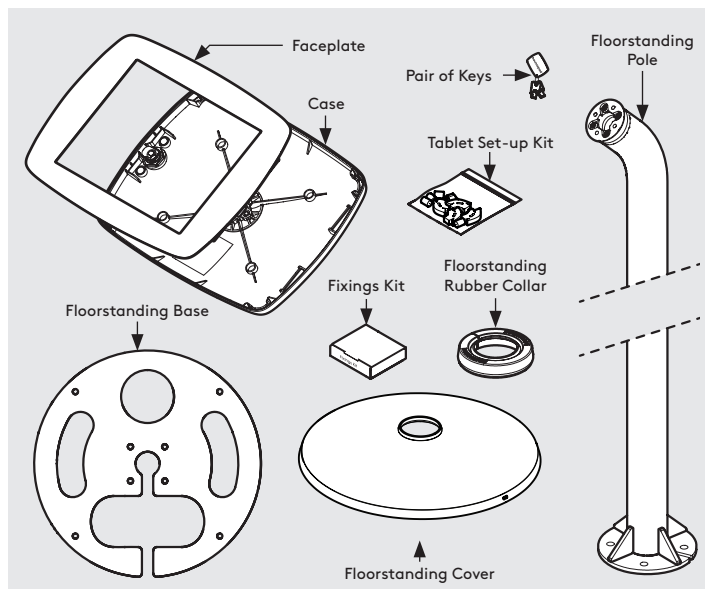
Tools Required:

- Socket Driver
- 10mm Spanner **or adjustable spanner*

Sheet Code: BP-IM-057_REV2

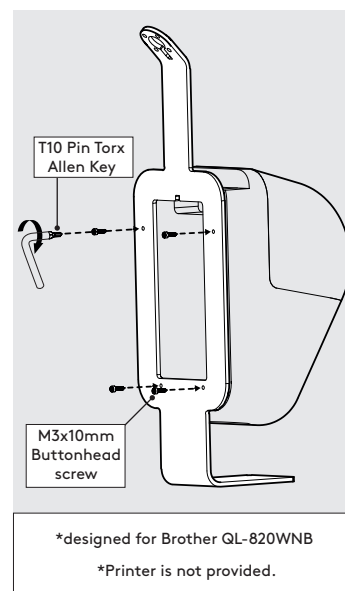
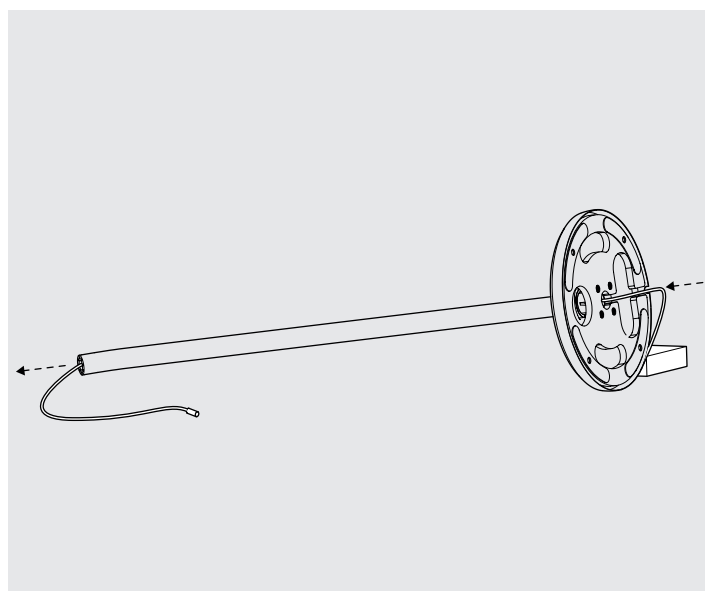
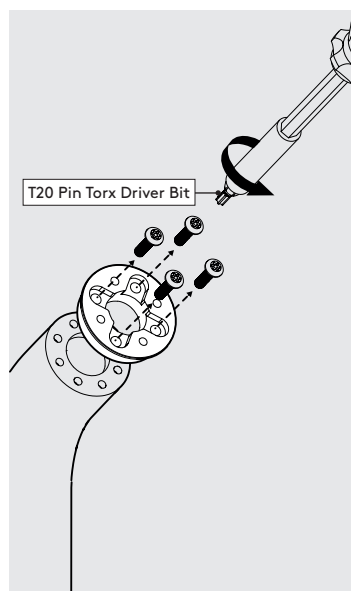
Release Date: 26/03/2024

Copyright 2016 Spotspot Ltd. (T/A Bouncepad) all rights reserved. Confidential, no part of this publication may be reproduced or transmitted in any form without the written permission of the copyright holder.



1 Orientate, locate and secure the Floorstanding Pole to the Floorstanding Base as shown. Ensure that all fixings are installed correctly.

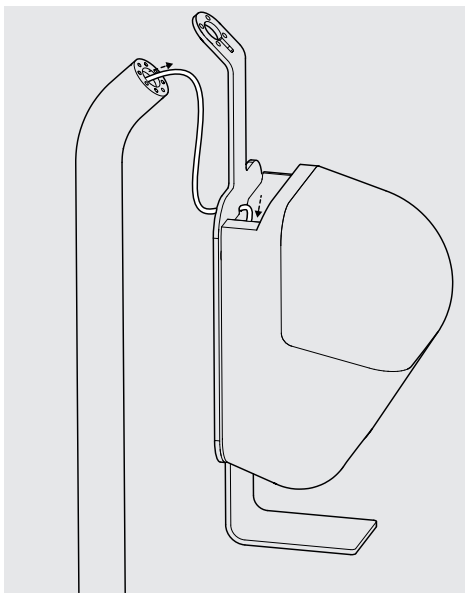
2 Locate the Floorstanding Cover over the Floorstanding Pole.



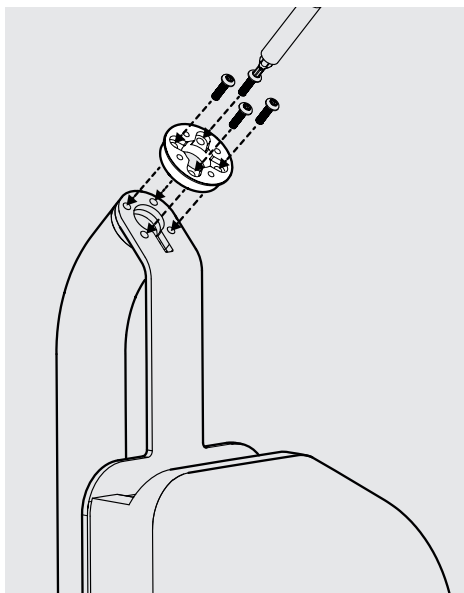
3 Remove Neck-Ring using T20 driver bit and Socket Driver

4 Feed the printer's power cable through the Floorstanding Pole

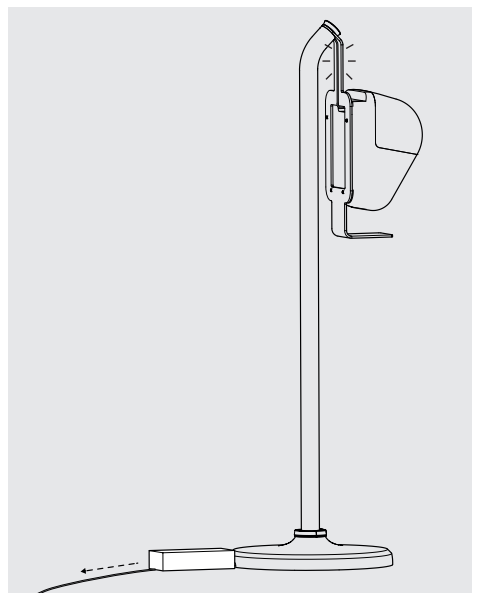
5 Attach the printer to the Printer Mount using M3x10mm Screws



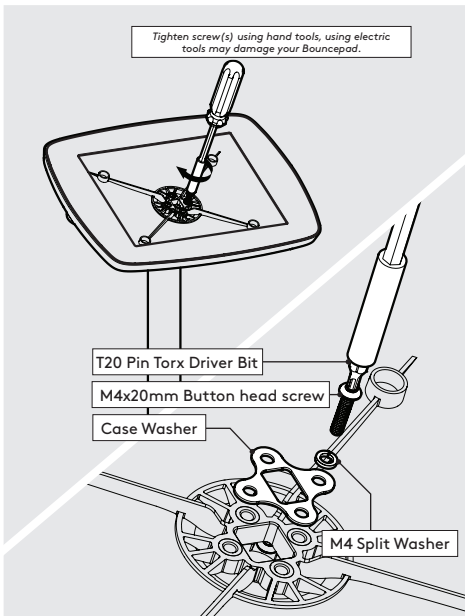
6 Feed power cable through Printer Mount and plug into Printer



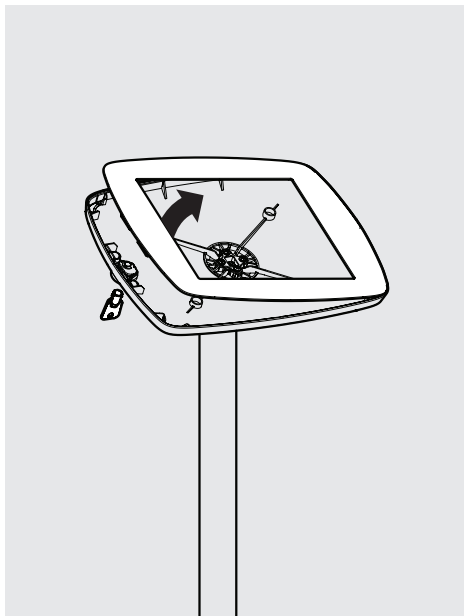
7 Re-attach Neck-Ring



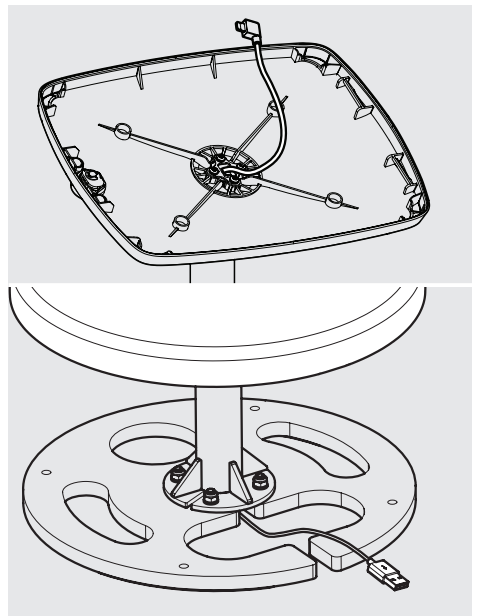
8 Pull cable back to remove any slack near the Printer Mount



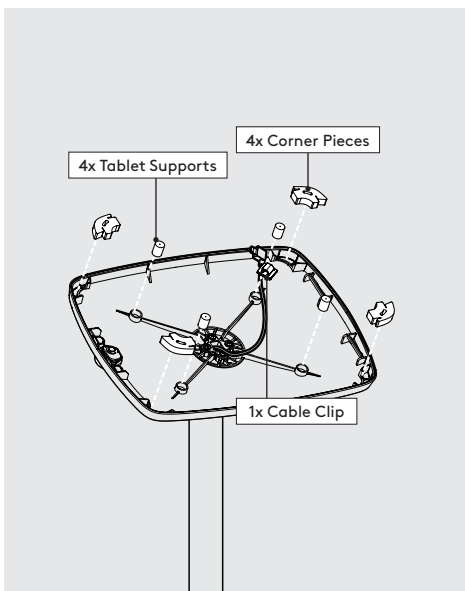
9 Locate and secure the Case onto the Mounting Arm as shown. Tighten by hand.



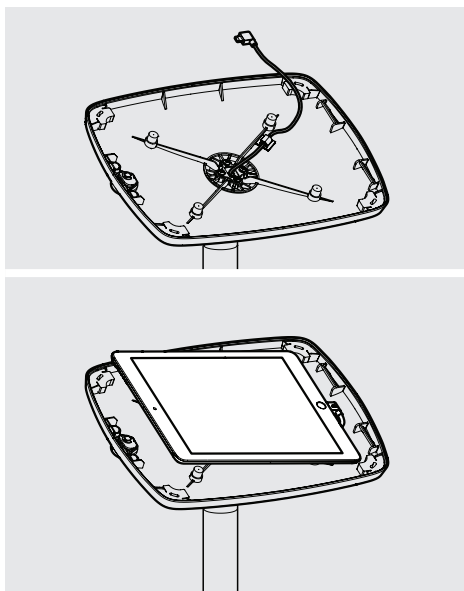
10 Unlock & remove the Faceplate from the Bouncepad Case.



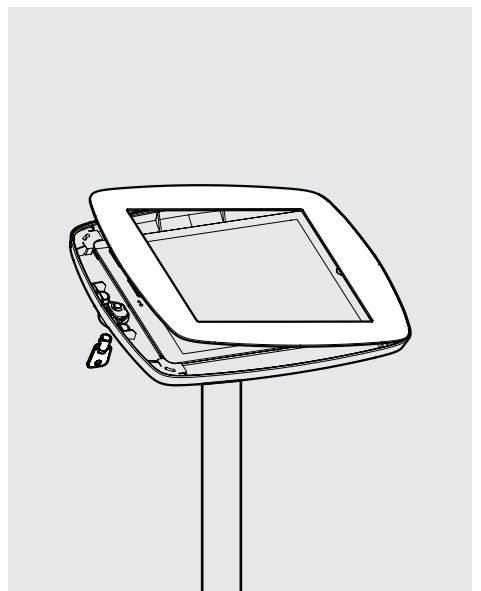
11 Feed the tablet power cable through the Case & Floorstanding Pole.



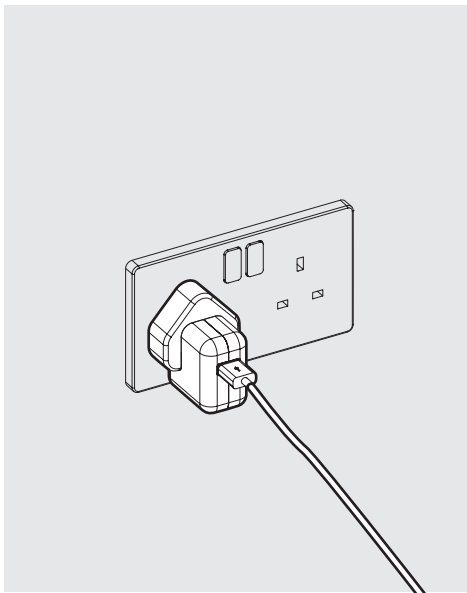
12 Install the Tablet Setup Kit. Each kit is specific per device & case.



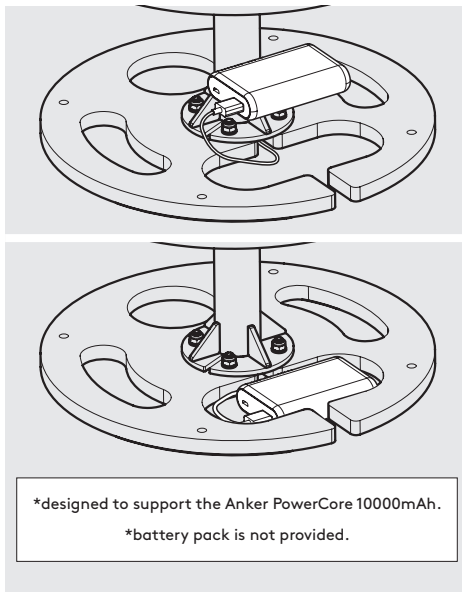
13 Install the tablet into the Case & connect to power.



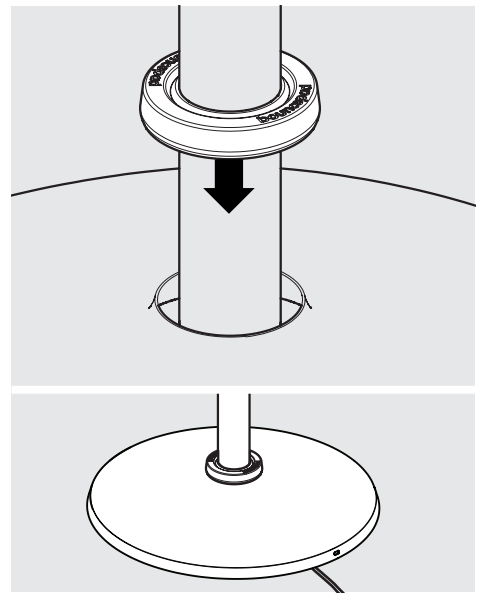
14 Locate and lock the Faceplate to the Case.



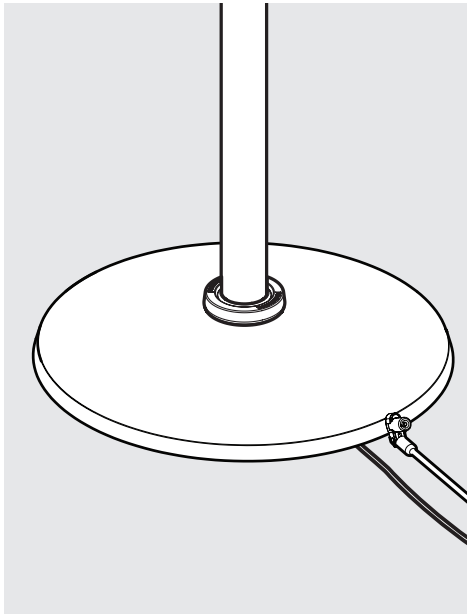
15.1 Connect the tablet power cable to its mains power source.



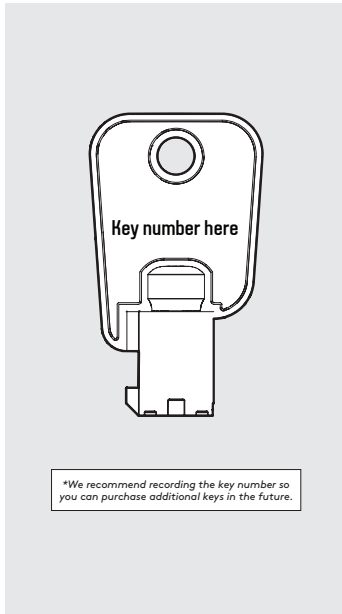
15.2 If installing a battery pack, connect the tablet cable and locate the pack into the Floorstanding Base.



16 With the Floorstanding Cover on the ground, locate and fit the Floorstanding Rubber Collar.



17 Use a Kensington® Microsaver product to tether to a secure object. (refer to your Kensington® instructions for full details)



18 Installation is now complete.

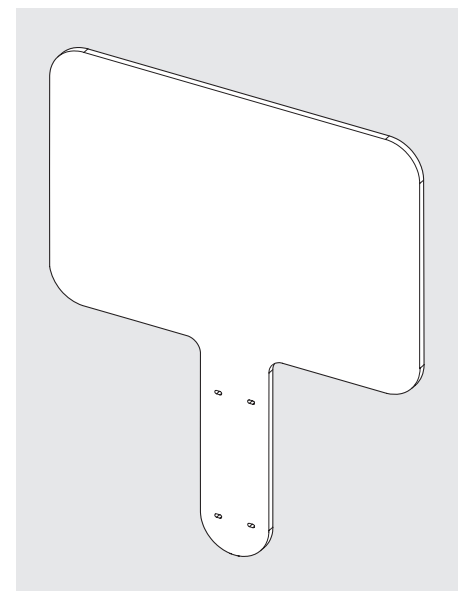
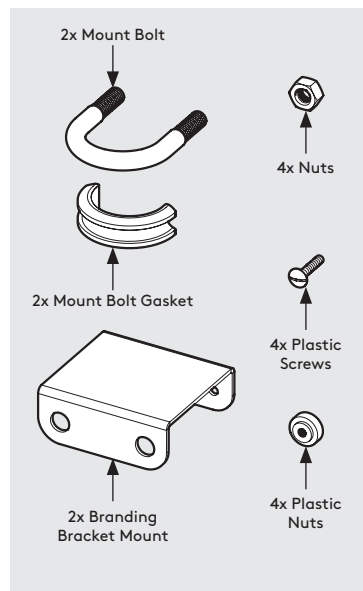
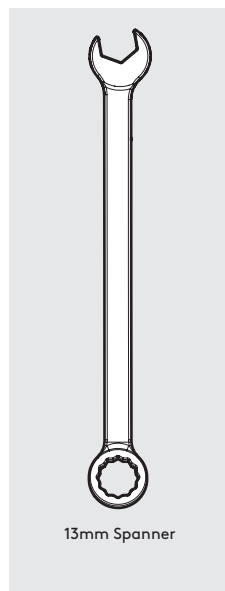
Branding Mount

Assembly Instructions

Follow these instructions for the successful assembly of your Branding board to your Floorstanding.

Sheet Code: BP-OR-IM-011_REV2
Release Date: 01/04/2019

Copyright 2016 Spotspot Ltd. (T/A Bouncepad) all rights reserved. Confidential, no part of this publication may be reproduced or transmitted in any form without the written permission of the copyright holder.



0

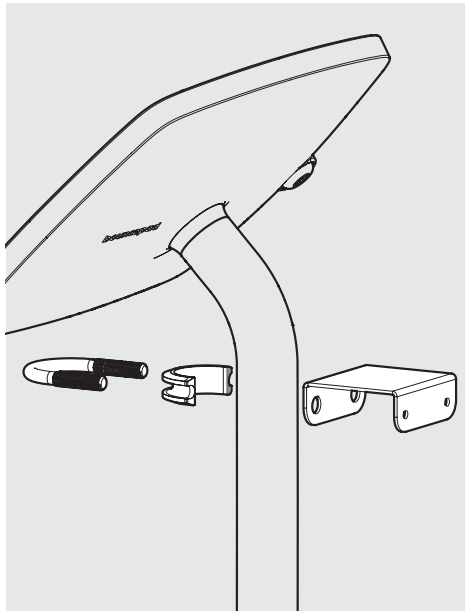
Tools required

0

Branding Mount - In the Box

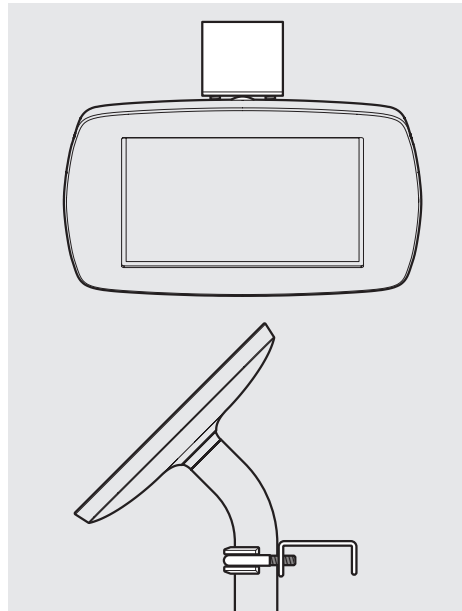
A1

Follow 'A' steps if installing a Placard board



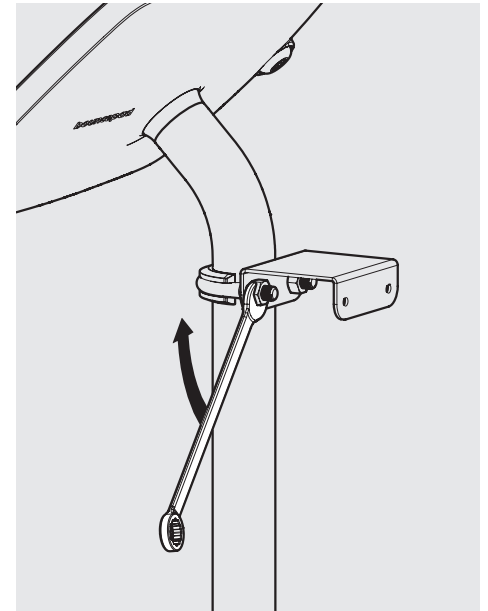
A2

Locate the top Bracket Mount & Mount Bolt to Floorstanding pole.



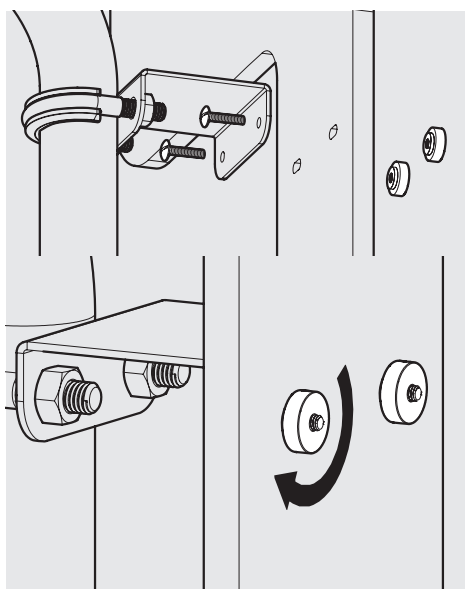
A3

Ensure that the Bracket Mount & Mount Bolt are positioned correctly as shown.



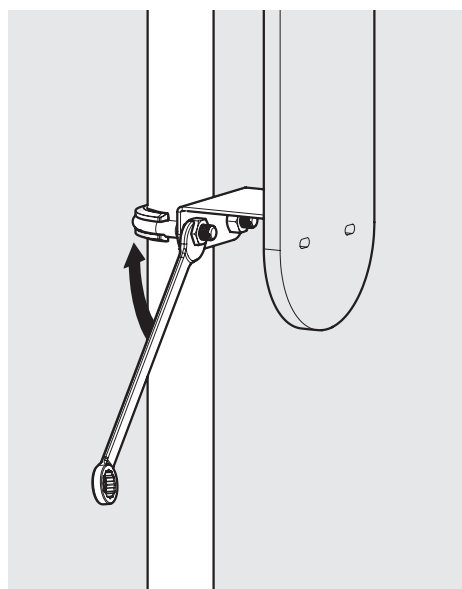
A4

Secure the Bracket Mount & Mount Bolt to the Floorstanding Pole with the supplied Nuts. Tighten evenly.



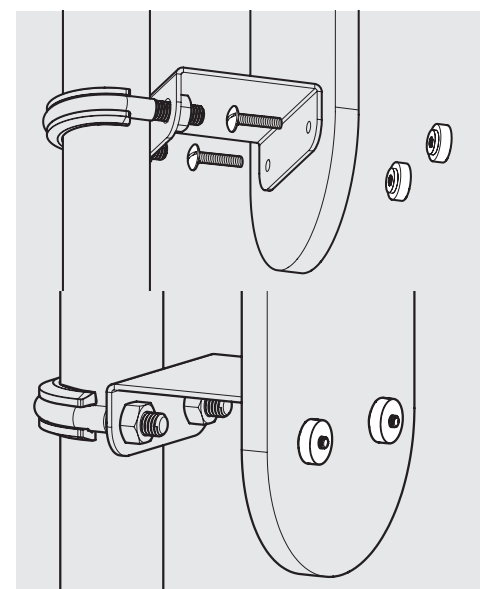
A5

Locate the Placard Board to the Bracket Mount. Secure with the supplied Plastic Screws & Nuts.



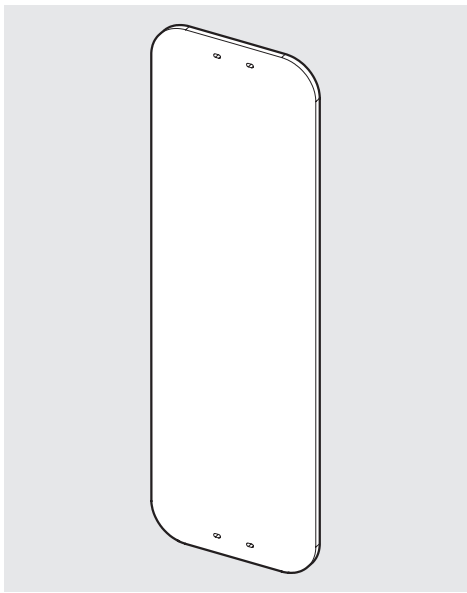
A6

Locate & secure the bottom Bracket Mount & Mount Bolt. Tighten the nuts evenly.

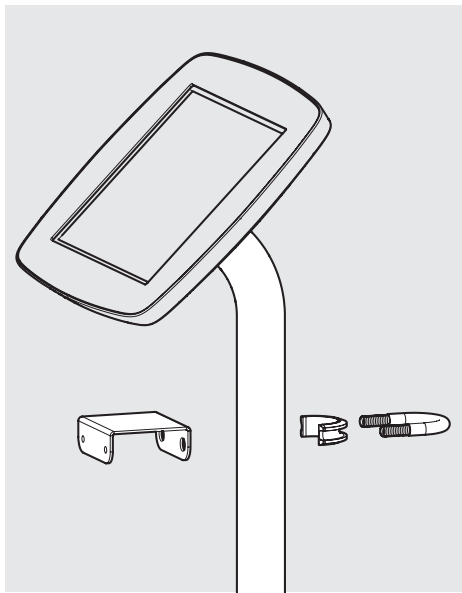


A7

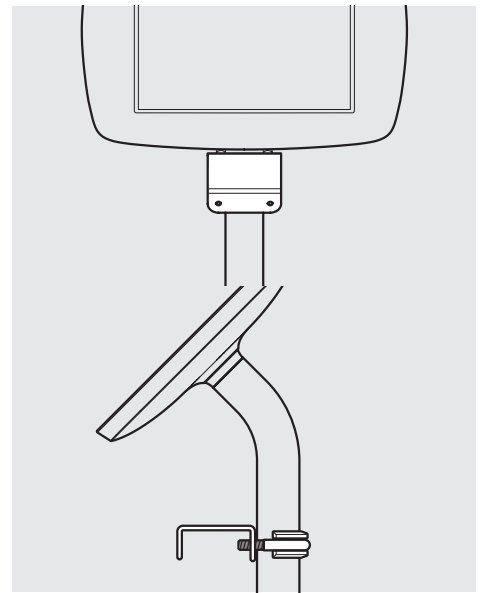
Secure the bottom section of the Placard Board with the Plastic Screws & Nuts. Installation now complete.



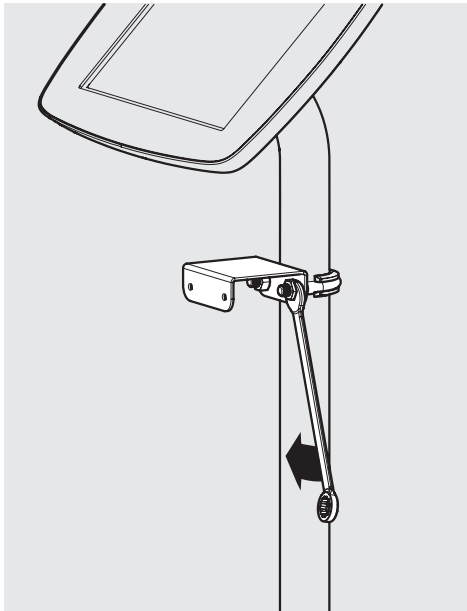
B1 Follow 'B' if installing a Front Board



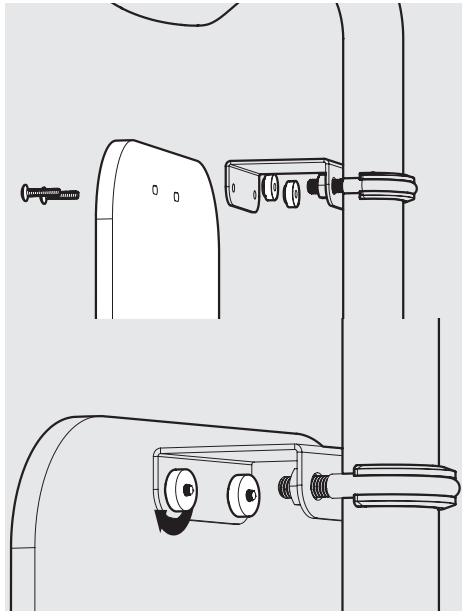
B2 Locate the top Bracket Mount & Mount Bolt to the Floorstanding pole.



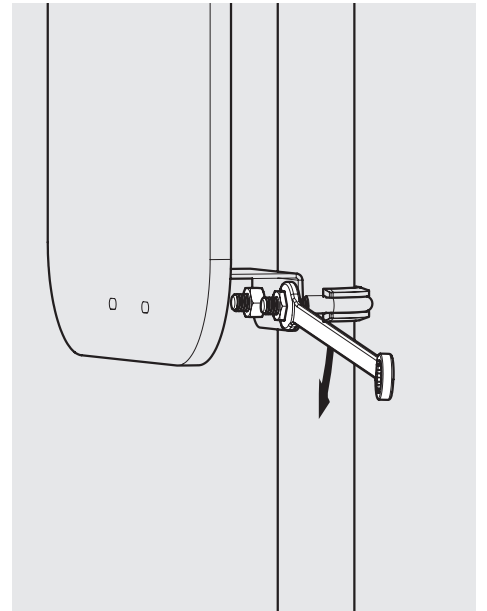
B3 Ensure the Bracket Mount & Mount Bolt are positioned correctly as shown.



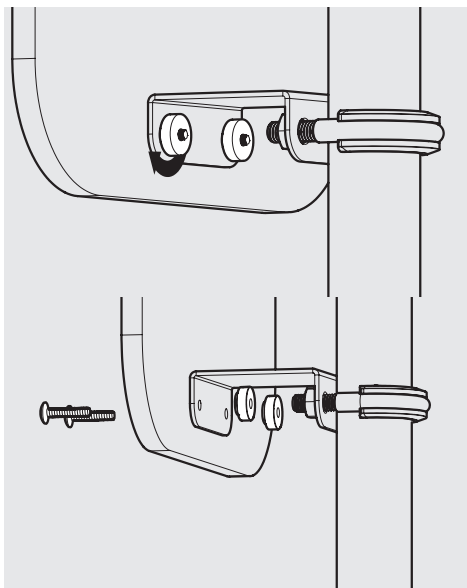
B4 Secure the Bracket Mount & Mount Bolt to the Floorstanding Pole with the supplied Nuts. Tighten evenly.



B5 Locate the Front Board to the Bracket Mount. Secure with the supplied Plastic Screws & Nuts.



B6 Locate & secure the bottom Bracket Mount & Mount Bolt. Tighten the nuts evenly.



B7 Secure the bottom section of the Front Board with the Plastic Screws & Nuts. Installation now complete.