

bouncepad®

Sumo 270° Mounting Arm

Assembly Instructions

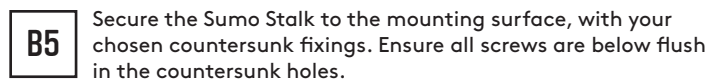
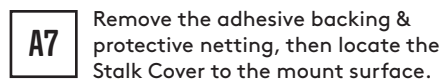
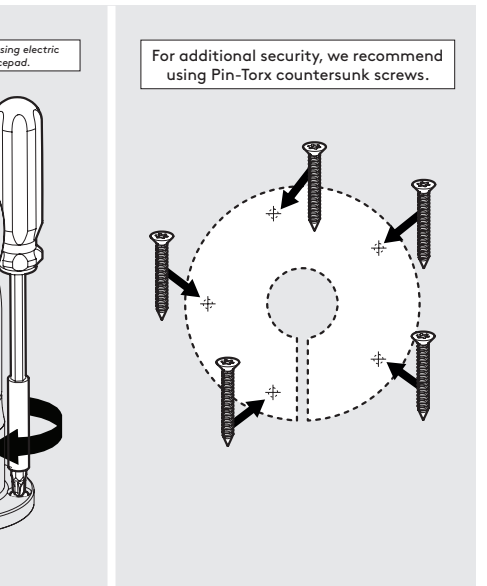
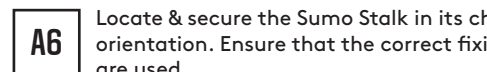
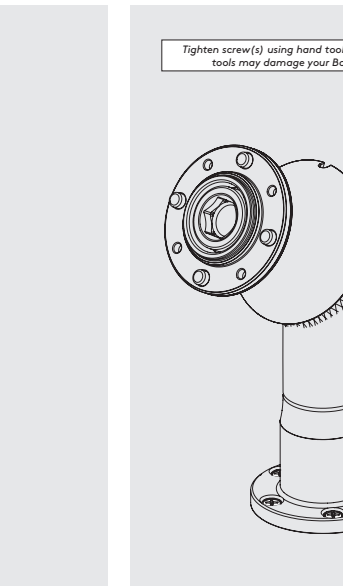
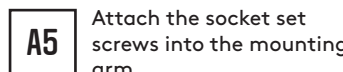
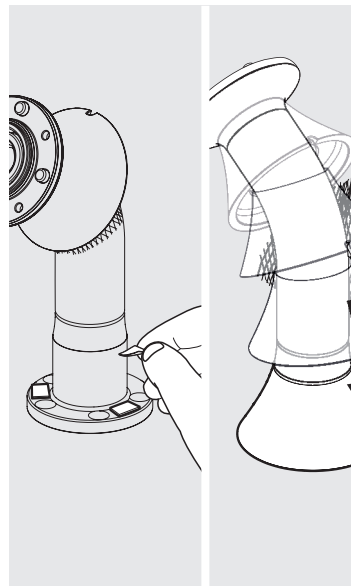
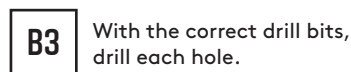
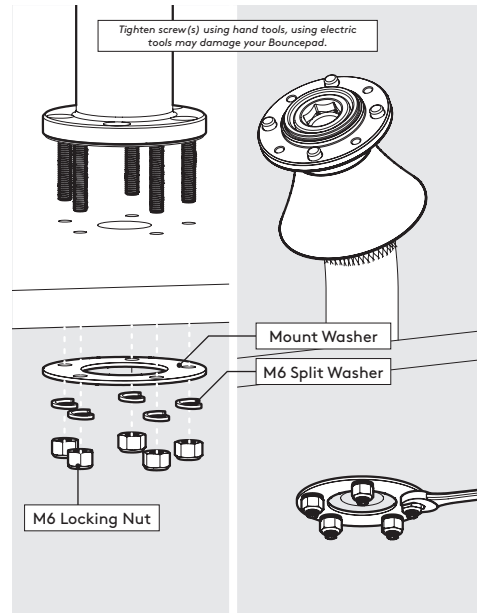
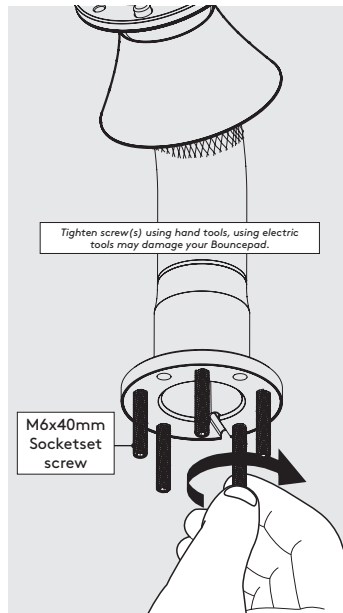
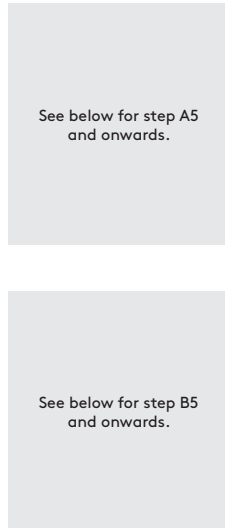
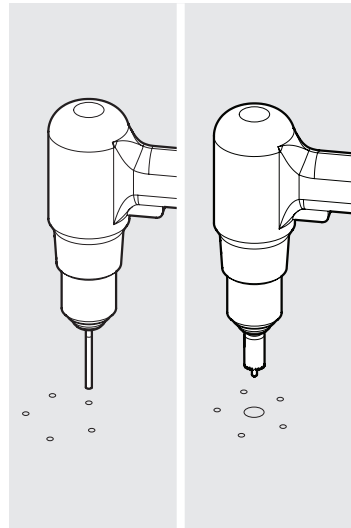
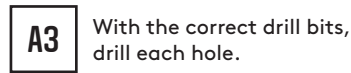
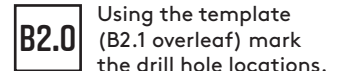
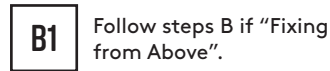
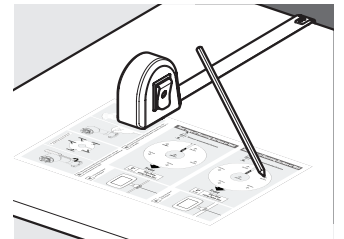
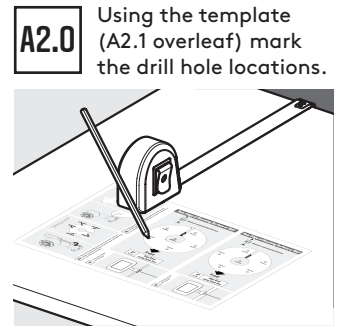
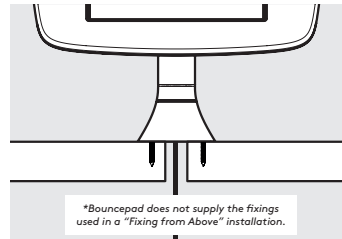
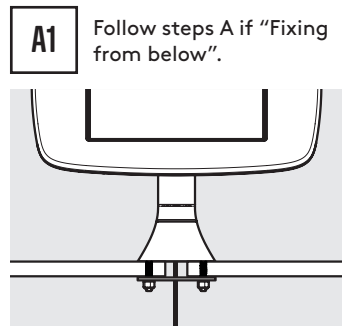
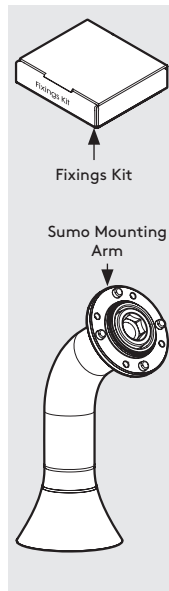
Tools Required:

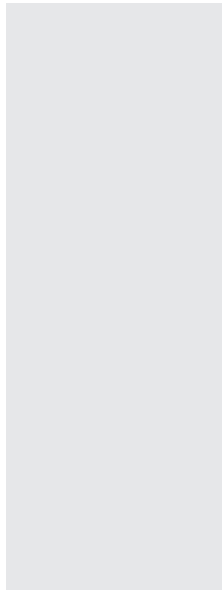
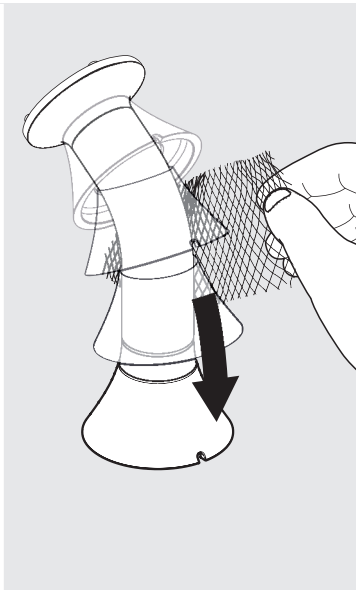
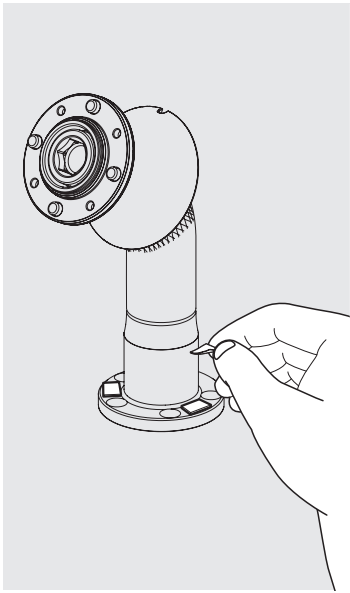
- Pencil
- Drill
- Ø6.0mm Drillbit
- Ø2.5mm Drillbit
- Ø16.0mm Holesaw
- 10mm Spanner **or adjustable spanner*

Sheet Code: BP-IM-055_REV0

Release Date: 01/10/2019

Copyright 2016 Spotspot Ltd. (T/A Bouncepad) all rights reserved. Confidential, no part of this publication may be reproduced or transmitted in any form without the written permission of the copyright holder.

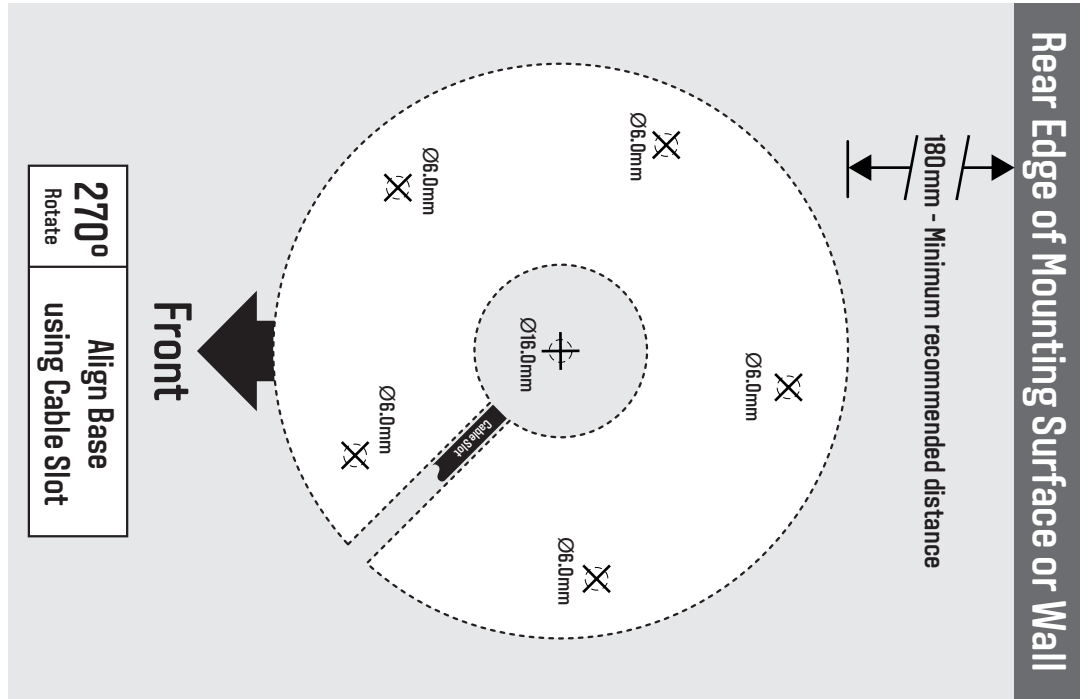
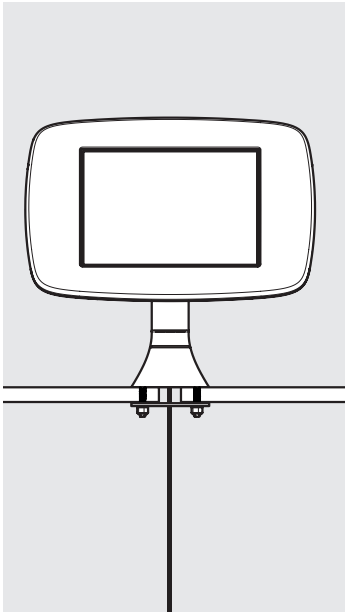




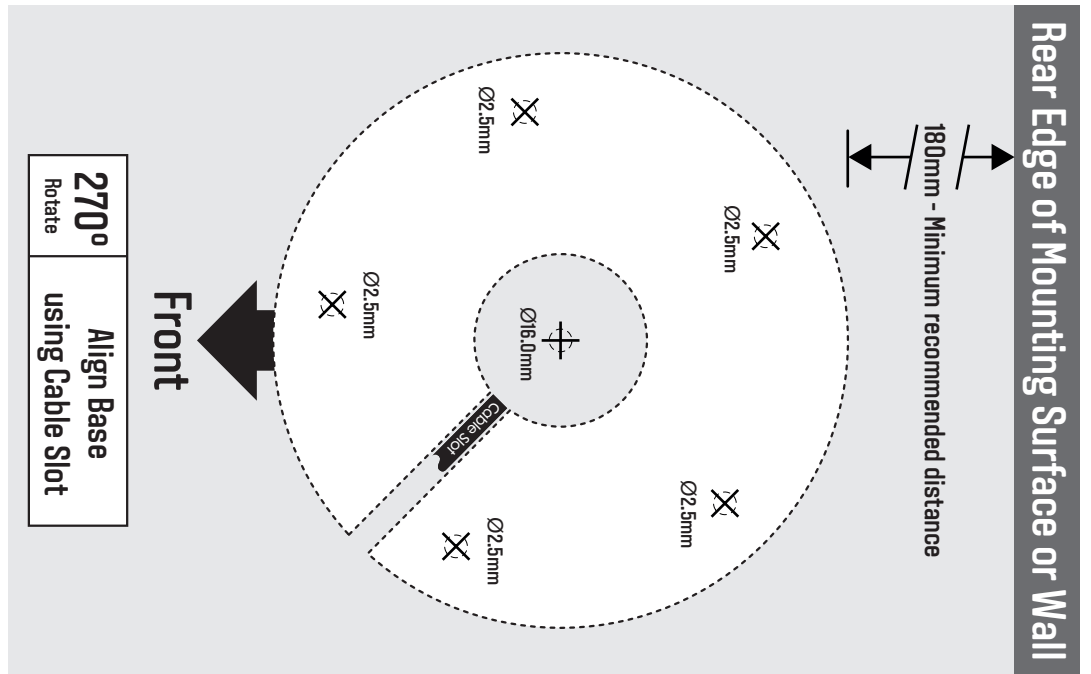
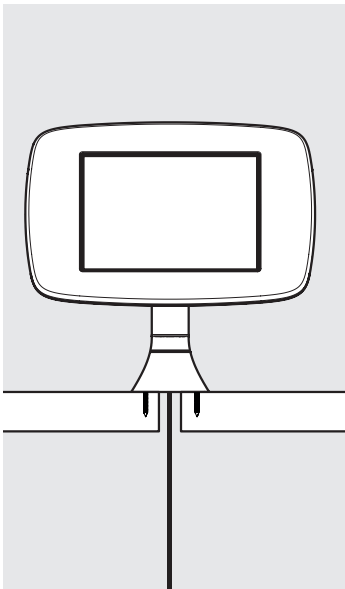
B6 Remove the adhesive backing & protective netting, then locate the Stalk Cover to the mount surface. Installation is complete.

B7 Installation complete.

A2.1 "Fixing from Below" drill template



B2.1 "Fixing from Above" drill template



Sumo Enclosure Assembly Instructions

Tools Required:

- Socket Driver

Sheet Code: BP-IM-049_REV1

Release Date: 01/10/2019

Copyright 2016 Spotspot Ltd. (T/A Bouncepad) all rights reserved. Confidential, no part of this publication may be reproduced or transmitted in any form without the written permission of the copyright holder.

