

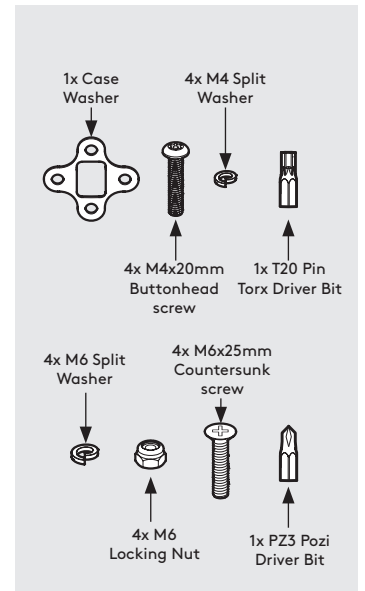
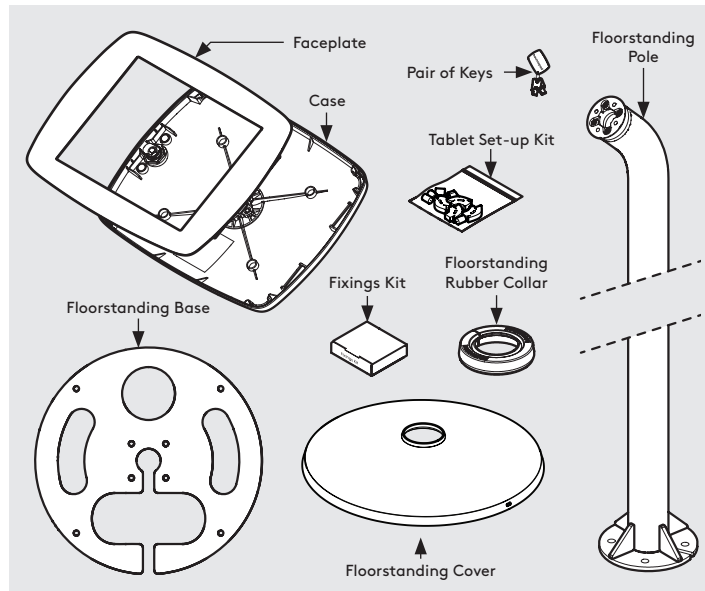
Floorstanding Assembly Instructions

Tools Required:

- Socket Driver
- 10mm Spanner **or adjustable spanner*

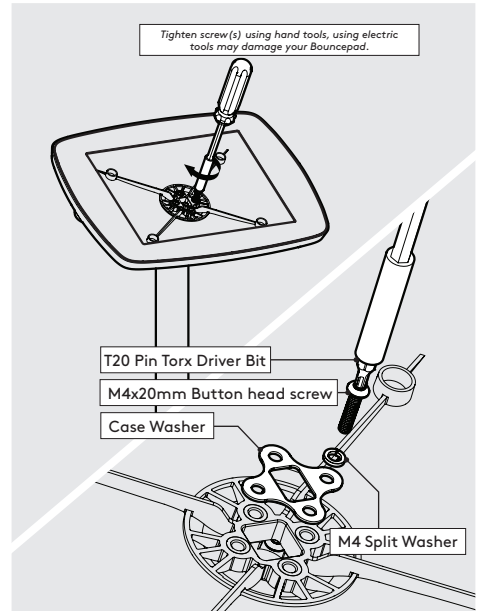
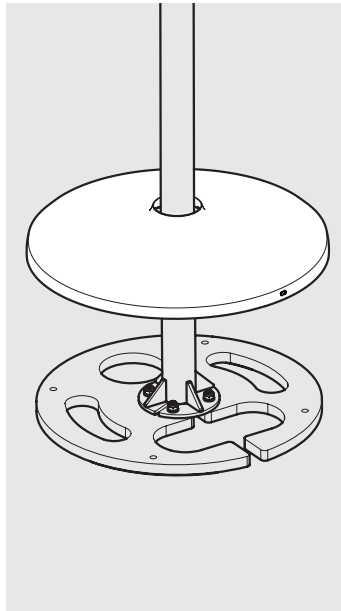
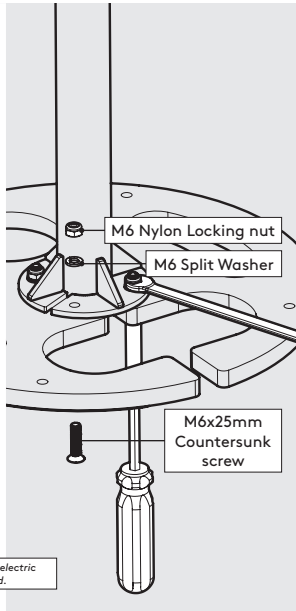
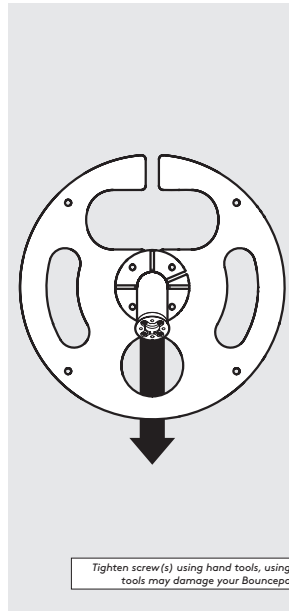
Sheet Code: BP-IM-047_REV4
Release Date: 10/04/2024

Copyright 2024 Spotspot Ltd. (T/A Bouncepad) all rights reserved. Confidential, no part of this publication may be reproduced or transmitted in any form without the written permission of the copyright holder.



Fixings List

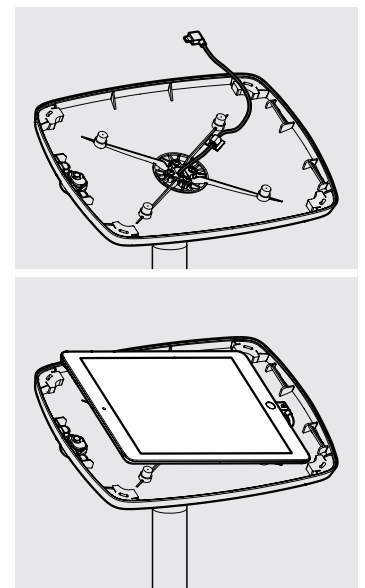
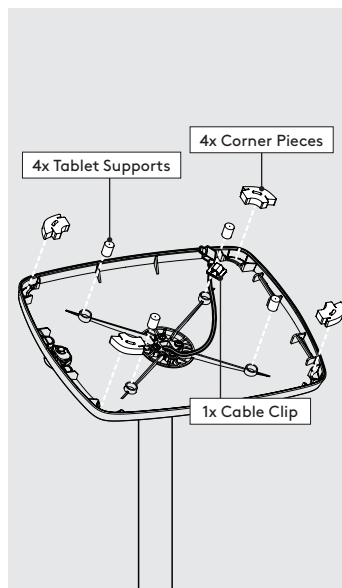
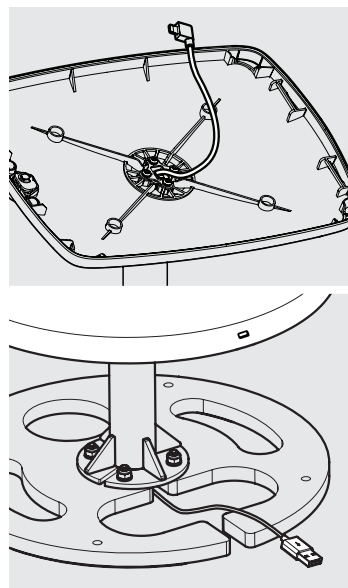
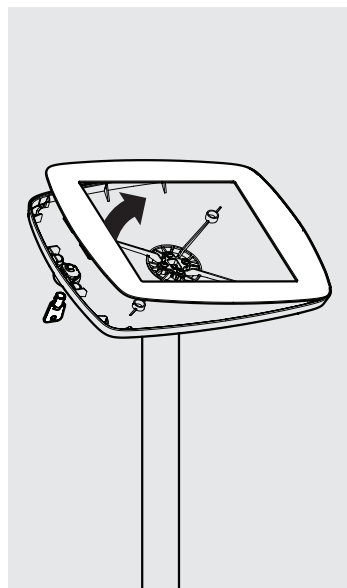
* Due to the modular nature of our product range you may receive additional fixings in the fixings kit



1 Orientate, locate and secure the Floorstanding Pole to the Floorstanding Base as shown. Ensure that all fixings are installed correctly.

2 Locate the Floorstanding Cover over the Floorstanding Pole.

3 Locate and secure the Case onto the Mounting Arm as shown. Tighten by hand.



4 Unlock & remove the Faceplate from the Bouncepad Case.

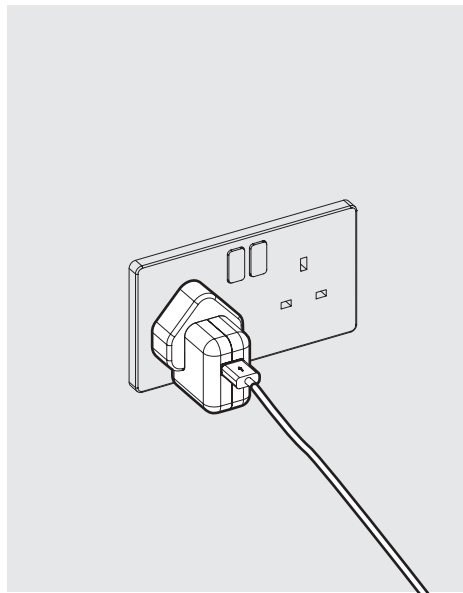
5 Feed the tablet power cable through the Case & Floorstanding Pole.

6 Install the Tablet Setup Kit. Each kit is specific per device & case.

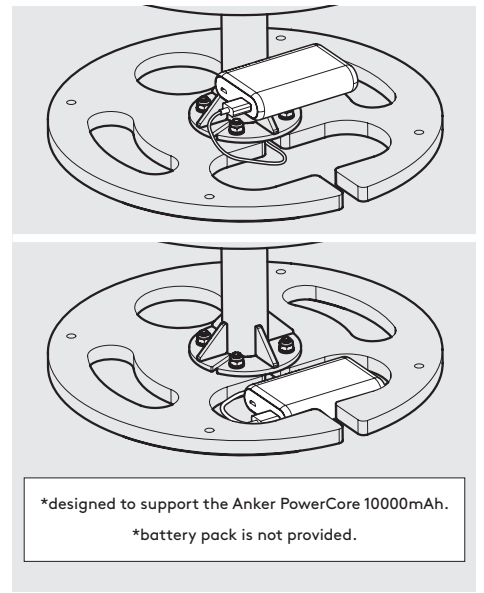
7 Install the tablet into the Case & connect to power.



8 Locate and lock the Faceplate to the Case.

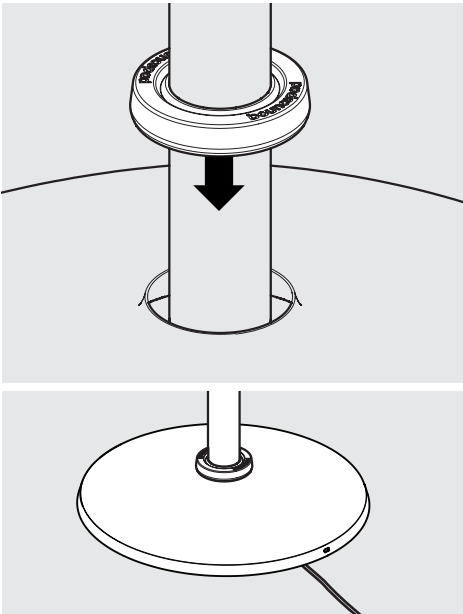


9.1 Connect the tablet power cable to its mains power source.

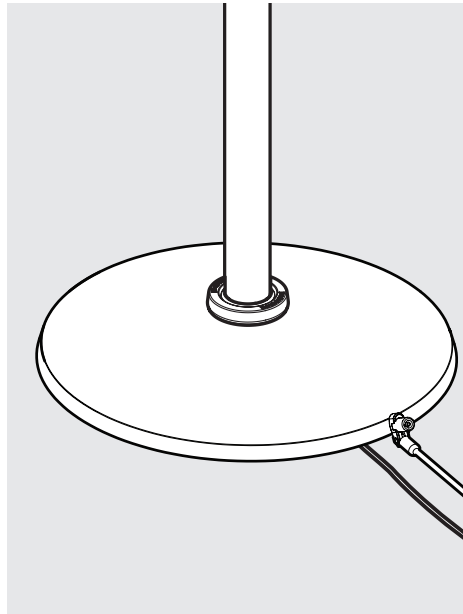


*designed to support the Anker PowerCore 10000mAh.
*battery pack is not provided.

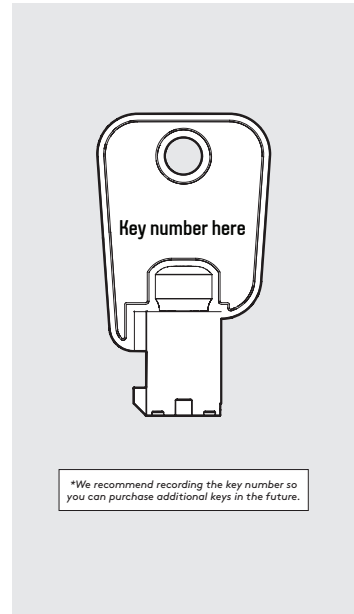
9.2 If installing a battery pack, connect the tablet cable and locate the pack into the Floorstanding Base.



10 With the Floorstanding Cover on the ground, locate and fit the Floorstanding Rubber Collar.



11 Use a Kensington® Microsaver product to tether to a secure object. (refer to your Kensington® instructions for full details)



12 Installation is now complete.