

Flip

Assembly Instructions

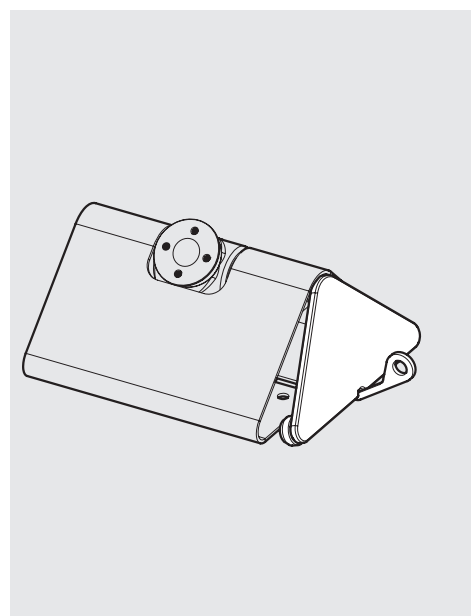
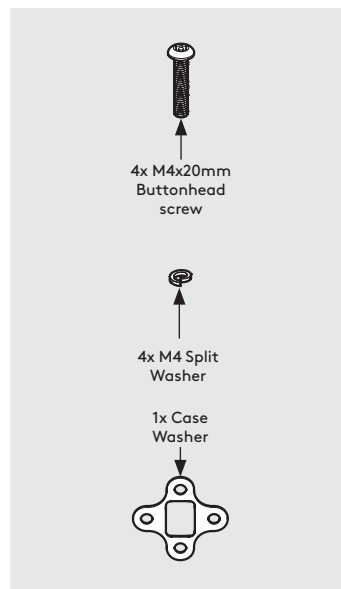
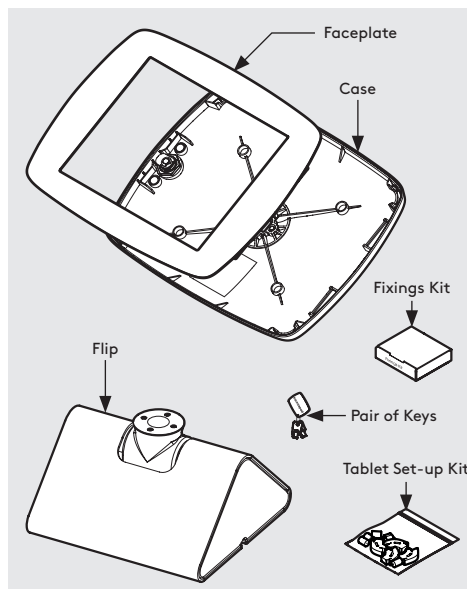
Tools Required:

- All tools provided

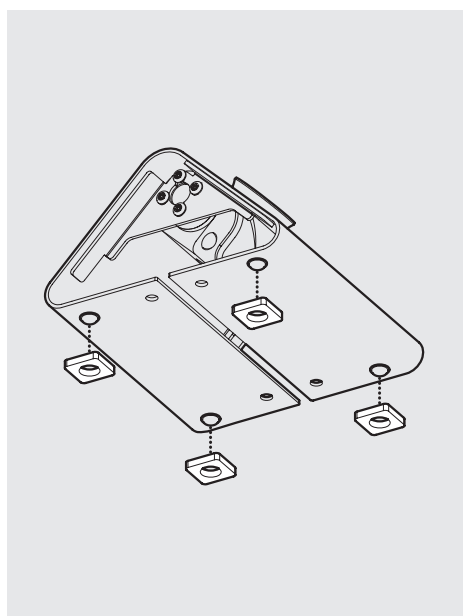
Sheet Code: BP-IM-030_REV1

Release Date: 25/09/2019

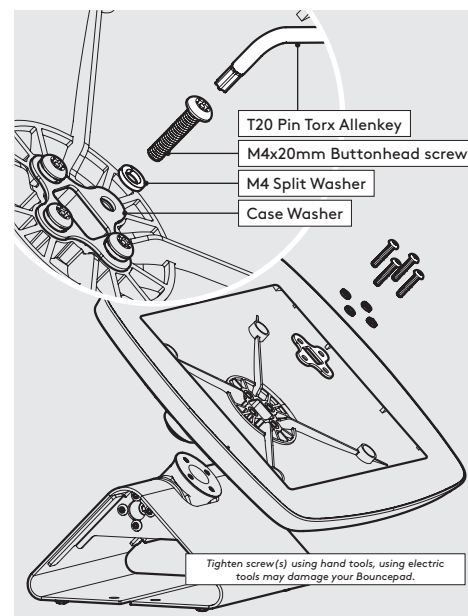
Copyright 2016 Spotspot Ltd. (T/A Bouncepad) all rights reserved. Confidential, no part of this publication may be reproduced or transmitted in any form without the written permission of the copyright holder.



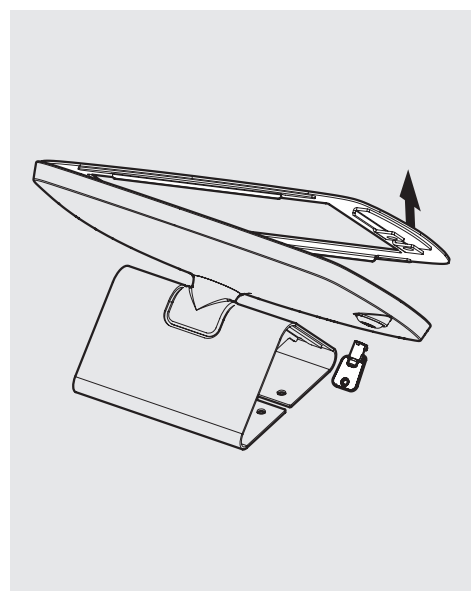
1 Remove the End Plates from the Flip using the supplied tool.



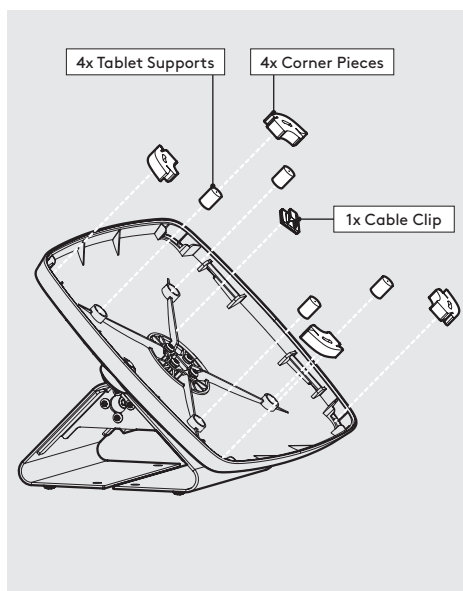
2 If wishing to slide your Flip across your mounting surface, apply the supplied Felt Feet as shown.



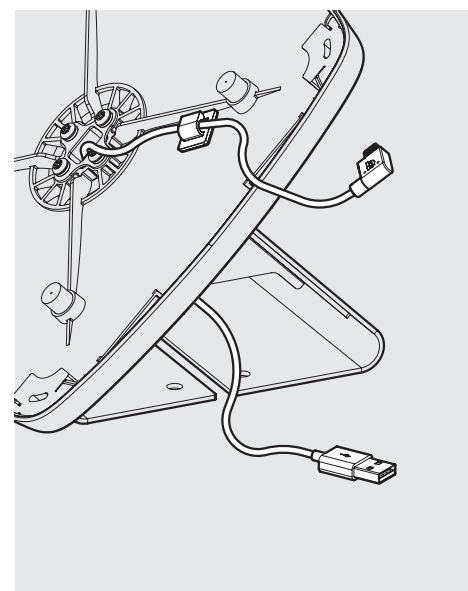
3 Attach the Bouncepad Case to the Flip. Take care to ensure correct & full thread engagement.



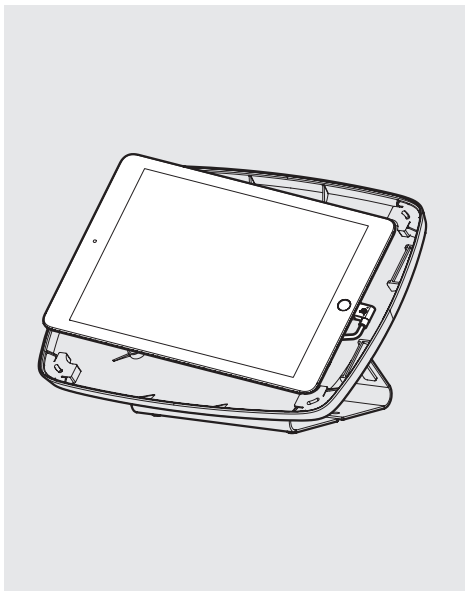
4 Unlock & remove the Faceplate from the Bouncepad Case.



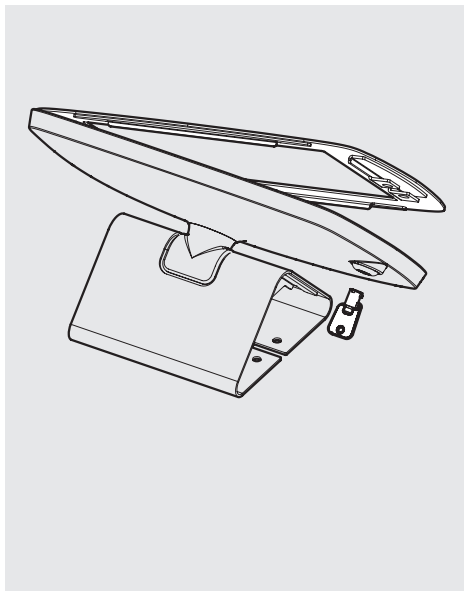
5 Install the Tablet Setup Kit. Each kit is specific per tablet device and Bouncepad Case.



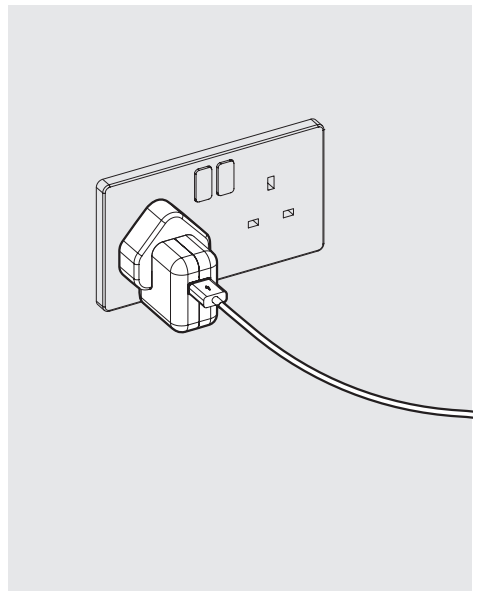
6 Route the Bouncepad Cable through the Case and Flip - securing it with the Cable Clip.



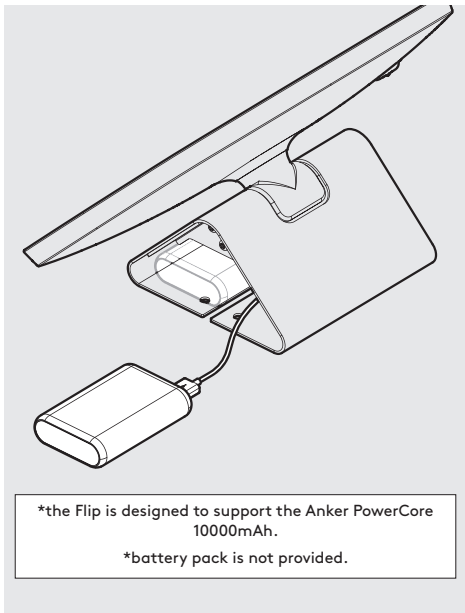
7 Install and connect your chosen tablet into the Bouncepad Case.



8 Locate and lock the Bouncepad Faceplate to the Bouncepad Case - securing your tablet.

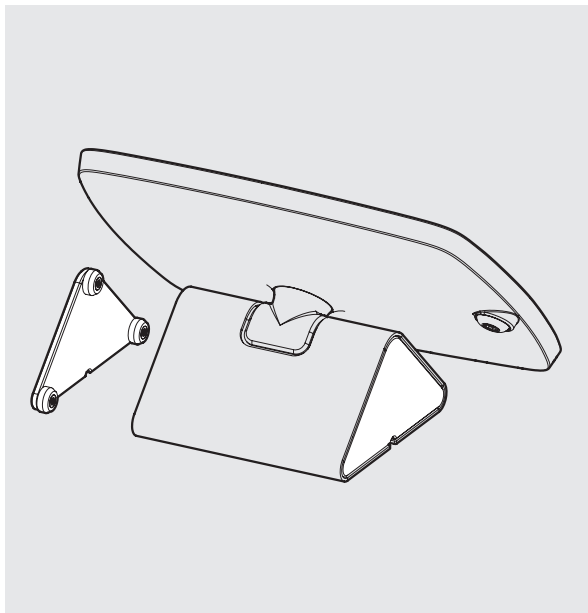


9A Connect the tablet power cable to its mains power source.

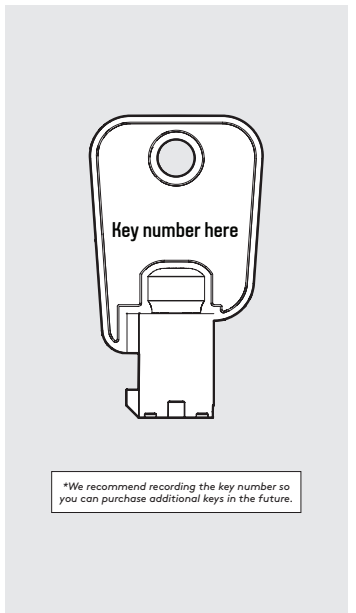


*the Flip is designed to support the Anker PowerCore 10000mAh.
*battery pack is not provided.

9B If installing a battery pack, connect the tablet cable and locate the pack into the Flip.



10 Locate the Flip End Plates onto the Flip Base.

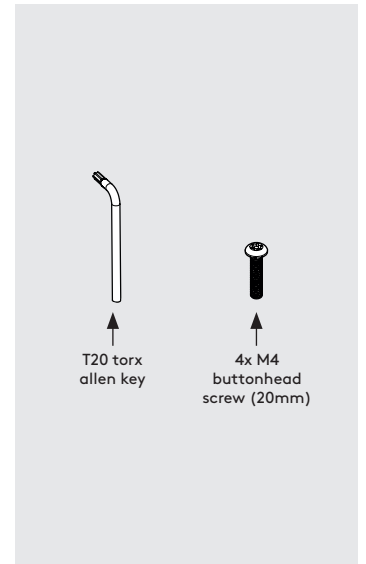
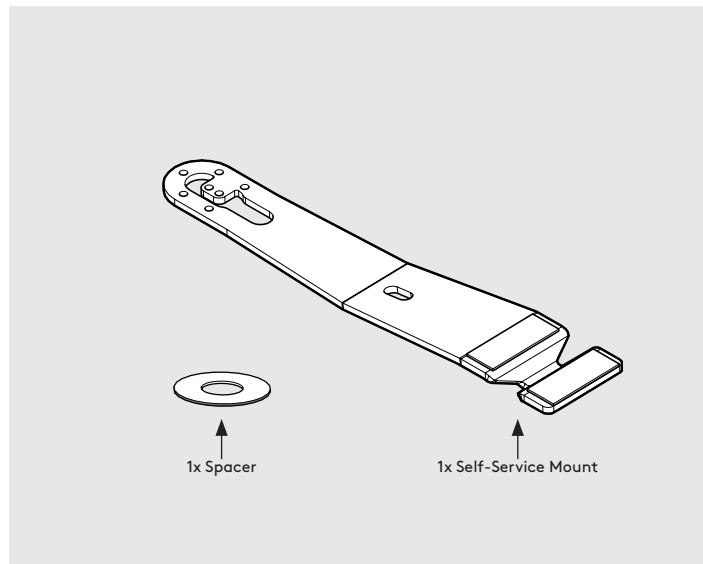


11 Installation is now complete.

Sheet Code: BP-IM-075_REV3

Release Date: 22/06/2022

Copyright 2022 Spotspot Ltd. (T/A Bouncepad) all rights reserved. Confidential, no part of this publication may be reproduced or transmitted in any form without the written permission of the copyright holder.

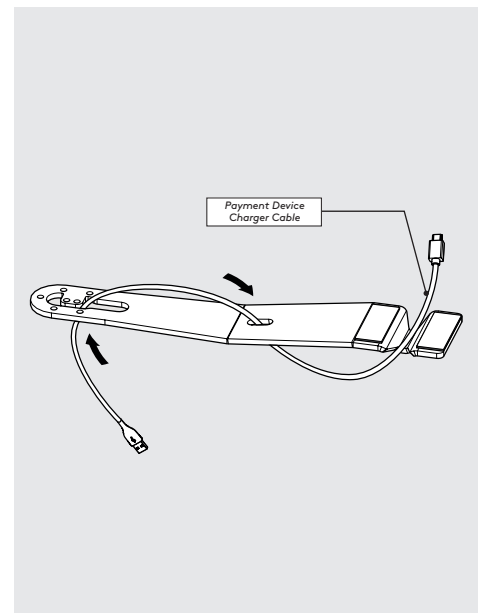
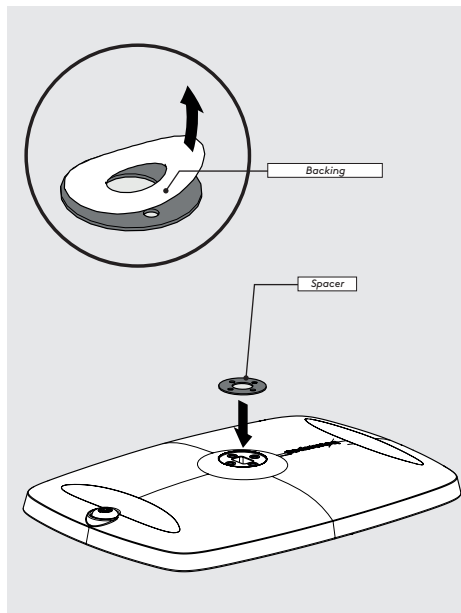
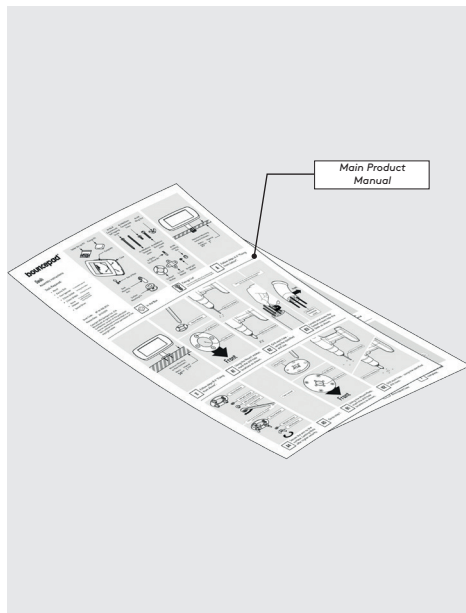


In the Box



Fixings List

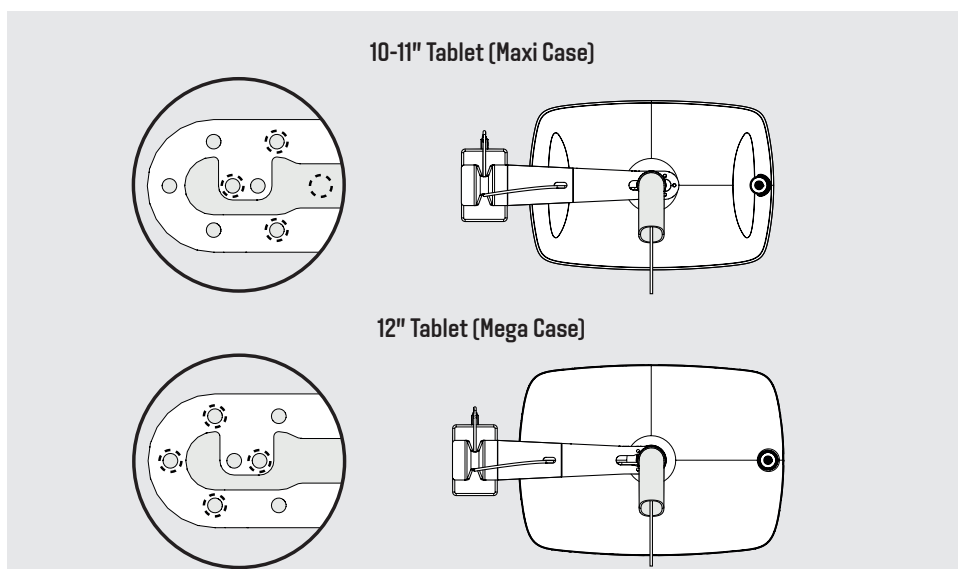
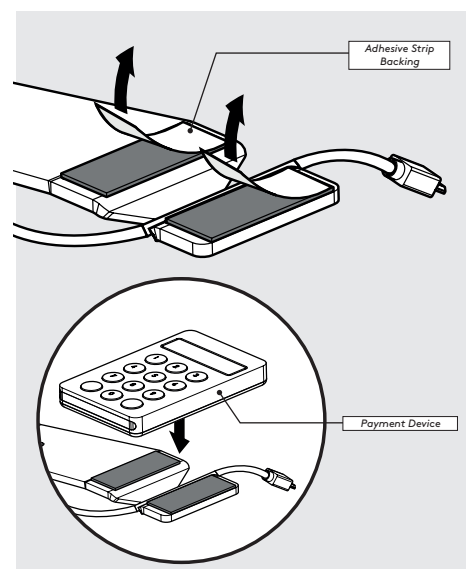
* Due to the modular nature of our product range you may receive additional fixings in the fixings kit



1 Complete the steps for your chosen Stand up until the point of attaching the Case. Then turn to this Manual.

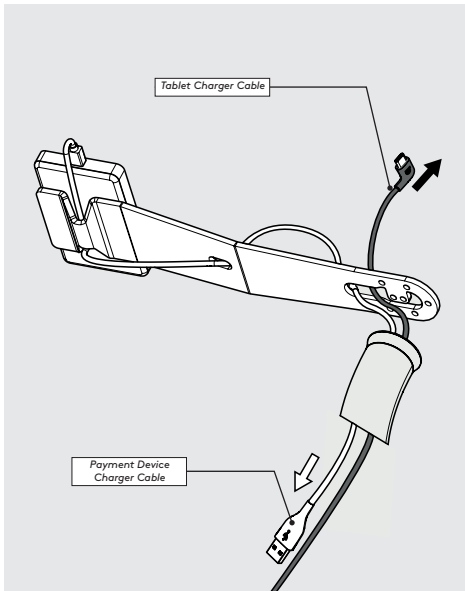
2 Remove the backing from the Spacer. Align with the screw holes on the Case and firmly stick down.

3 Route the Payment Device Charger Cable through the Self-Service Mount.

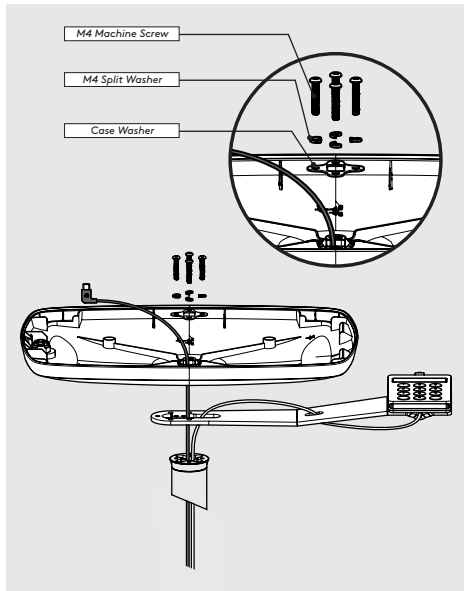


4 Remove the backing from Adhesive Strips. With the cable resting in the bend, centre your Payment Device and firmly press down. Plug in the USB cable

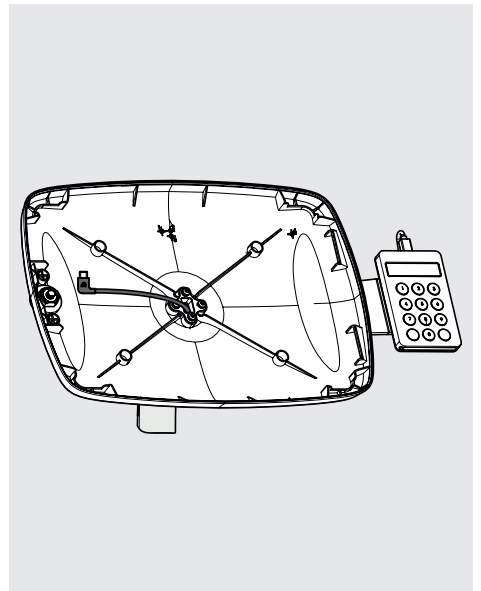
5 Depending on the size of your tablet/case, note the mounting location.



6 Feed your charge cables through the Mounting Arm.



7 Attach the Case and Self-Service Mount to the Mounting arm with the 20mm M4 Machine Screws (supplied with Self Service Mount).



8 Return to the Main Product Manual to complete the assembly.