

Static 60

Assembly Instructions

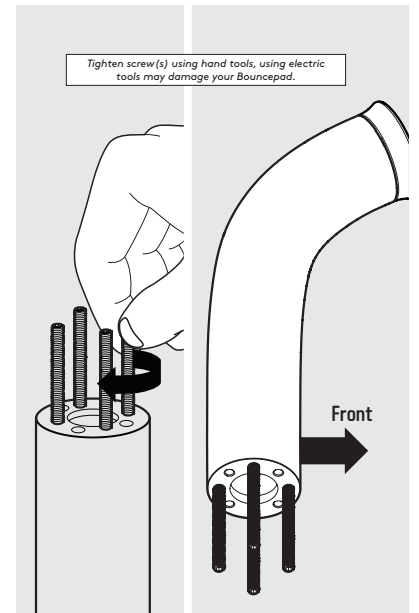
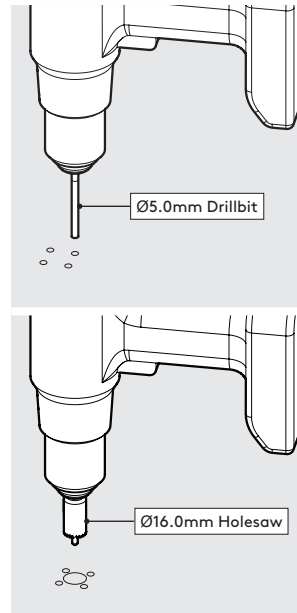
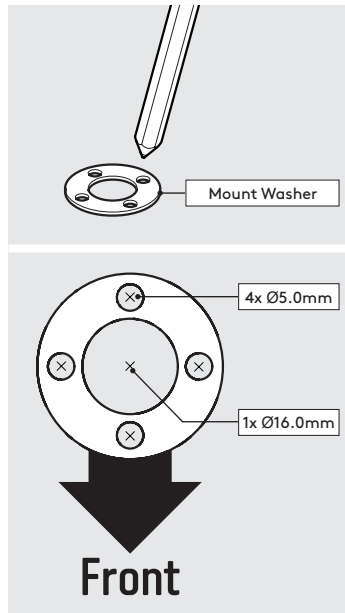
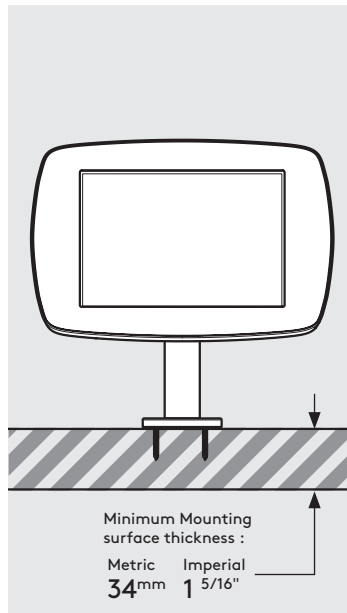
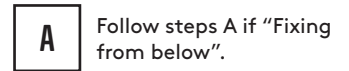
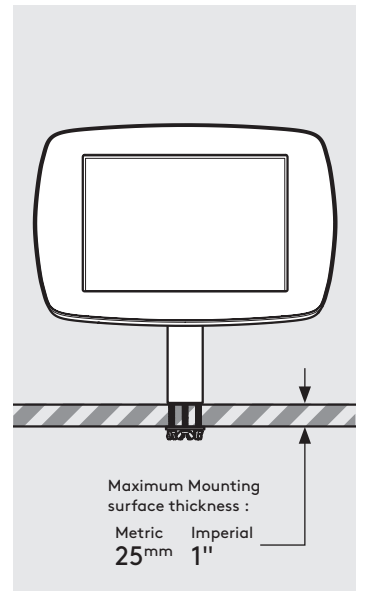
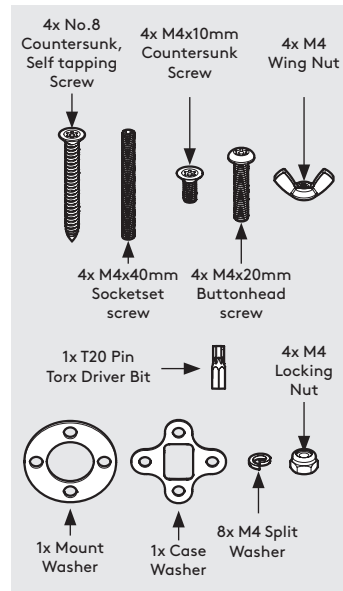
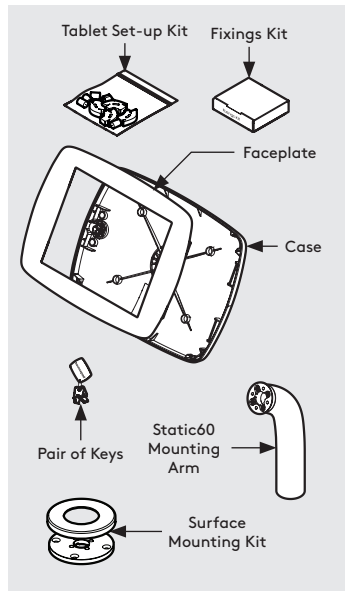
Tools Required:

- Pencil
- Electric Drill
- 7mm Spanner **or adjustable spanner*
- 5.0mm Drillbit **if fixing from below*
- 2.5mm Drillbit **if fixing from above*
- 16mm **if routing the tablet cable through your mounting surface*
Holesaw
- Socket Driver

Sheet Code: BP-IM-029_REV2

Release Date: 28/10/2019

Copyright 2016 Spotspot Ltd. (T/A Bouncepad) all rights reserved. Confidential, no part of this publication may be reproduced or transmitted in any form without the written permission of the copyright holder.

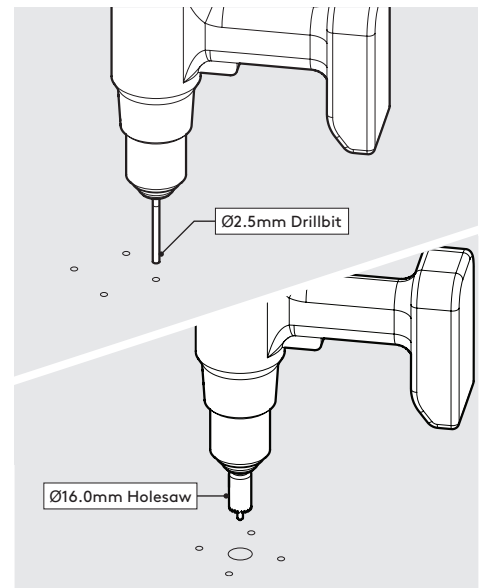
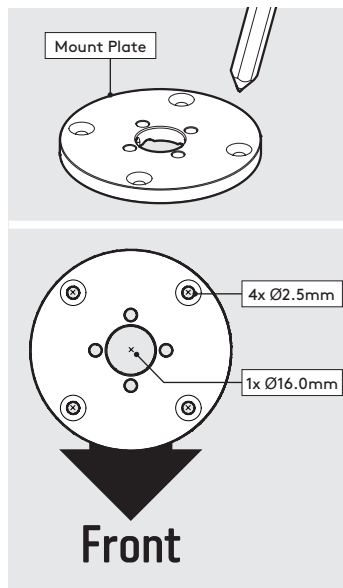
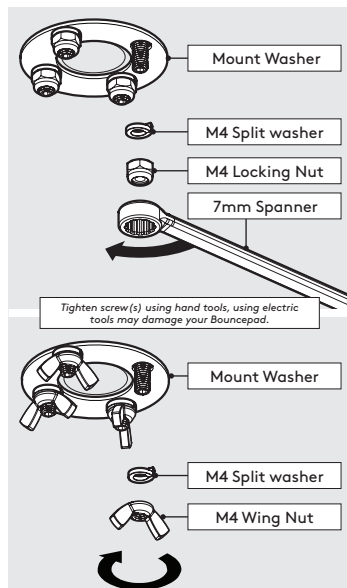


B Follow steps B if "Fixing from Above".

A1 Using the Mounting washer, mark the drill hole locations as shown.

A2 Drill each hole - using the specified drill size.

A3 Locate and screw the Socket screws into the Static60 as shown

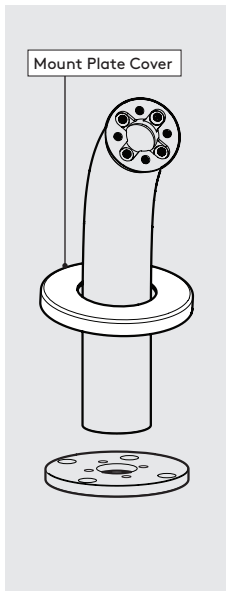


A4 Secure the arm to the surface. Locking Nuts offer higher security.

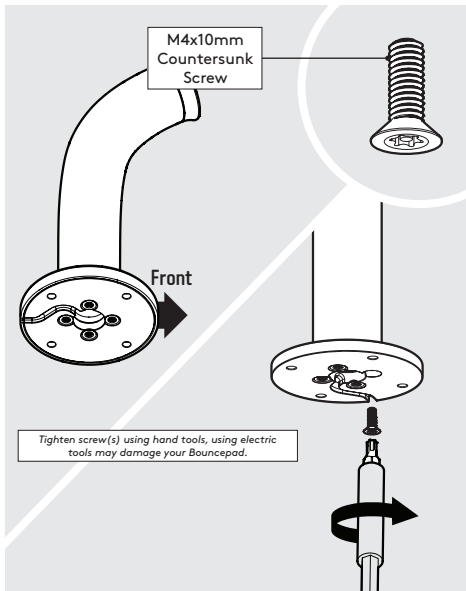
A5 Go to step 1.

B1 Using the Mount Plate, mark the drill hole locations as shown.

B2 Drill each hole - using the specified drill sizes.



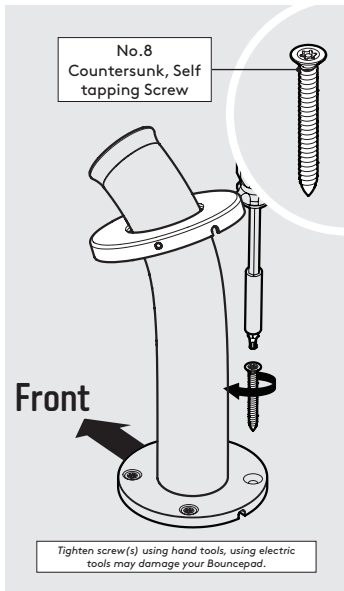
Mount Plate Cover



M4x10mm Countersunk Screw

Front

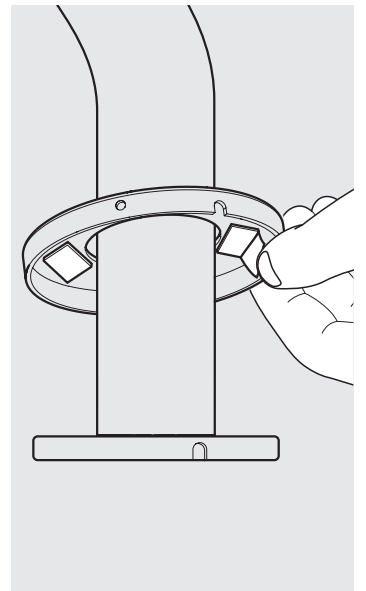
Tighten screw(s) using hand tools, using electric tools may damage your Bouncepad.



No.8 Countersunk, Self tapping Screw

Front

Tighten screw(s) using hand tools, using electric tools may damage your Bouncepad.

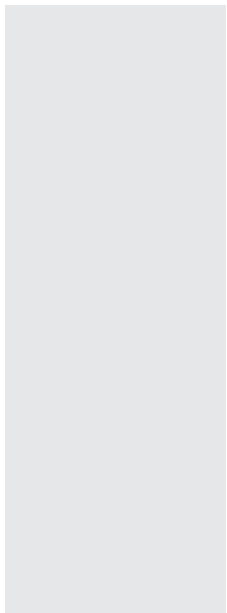


B3 Locate the Cover onto the Static60.

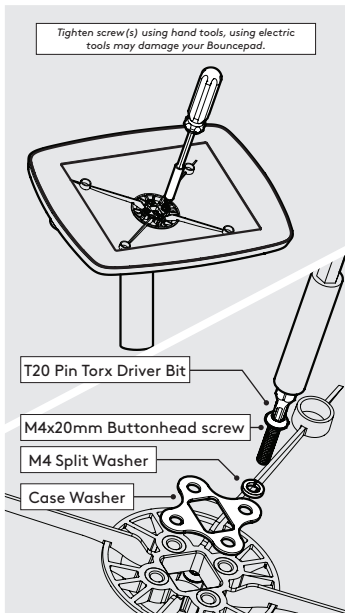
B4 Join the Static60 & Mount Plate in the orientation shown.

B5 Secure the Static60 to the surface with the 4x countersunk fixings.

B6 Adhere the Mount Cover onto the Mount Plate with the adhesive tabs.



Tighten screw(s) using hand tools, using electric tools may damage your Bouncepad.

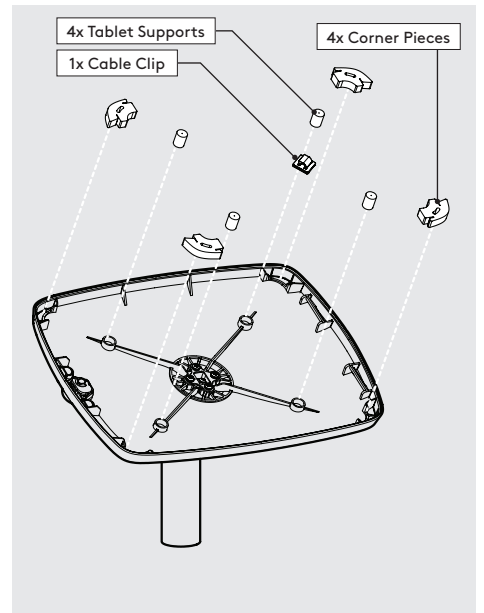


T20 Pin Torx Driver Bit

M4x20mm Buttonhead screw

M4 Split Washer

Case Washer



4x Tablet Supports

1x Cable Clip

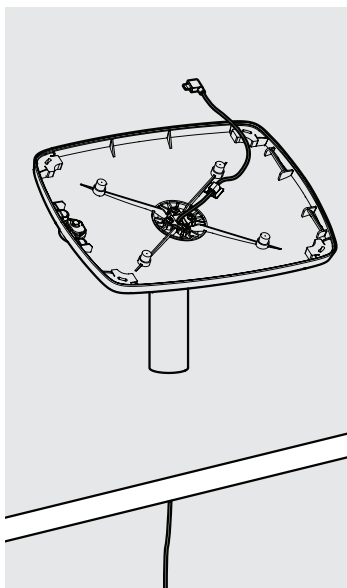
4x Corner Pieces

B7 Go to step 1.

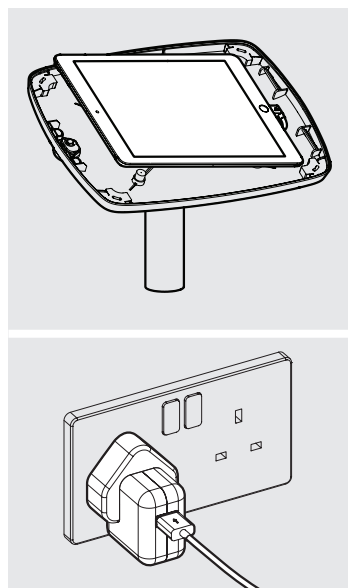
1 Locate and attach the Bouncepad Case to the Static60 as shown.

2 Unlock & remove the Faceplate from the Bouncepad Case.

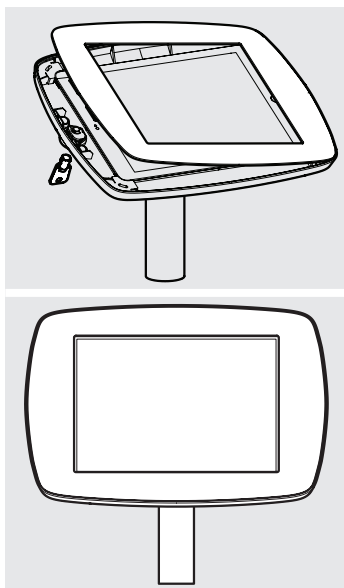
3 Install the Tablet Setup Kit. Each kit is specific per tablet device and Bouncepad Case.



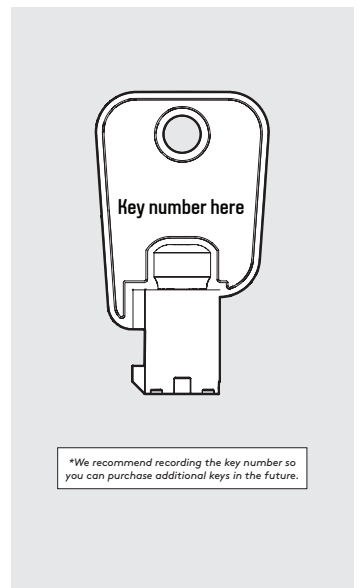
4 Feed the tablet cable through the Bouncepad Case & Static60.



5 Place the tablet into the Case and connect to power.



6 Locate & lock the Faceplate onto the Bouncepad Case.



*We recommend recording the key number so you can purchase additional keys in the future.

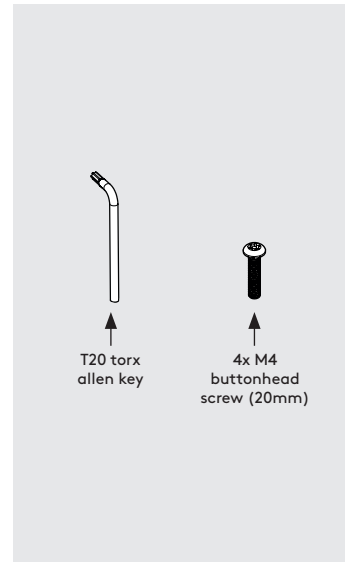
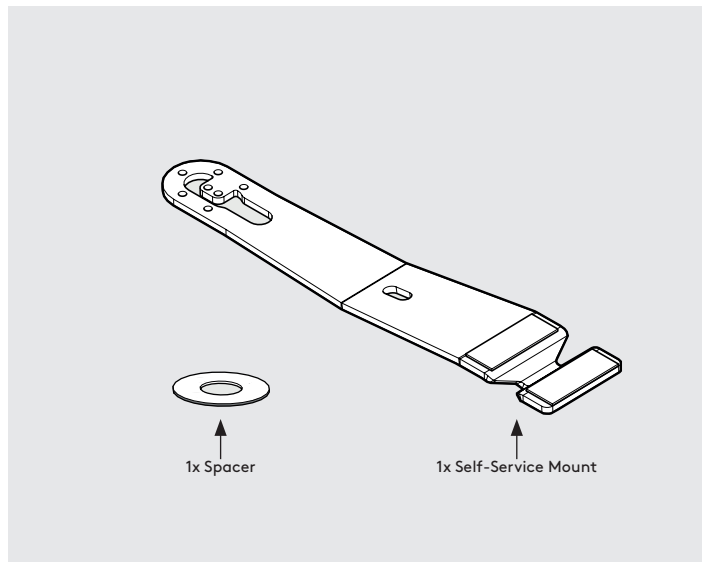
7 Installation is now complete.

Self-Service Mount

Sheet Code: BP-IM-075_REV3

Release Date: 22/06/2022

Copyright 2022 Spotspot Ltd. (T/A Bouncepad) all rights reserved. Confidential, no part of this publication may be reproduced or transmitted in any form without the written permission of the copyright holder.

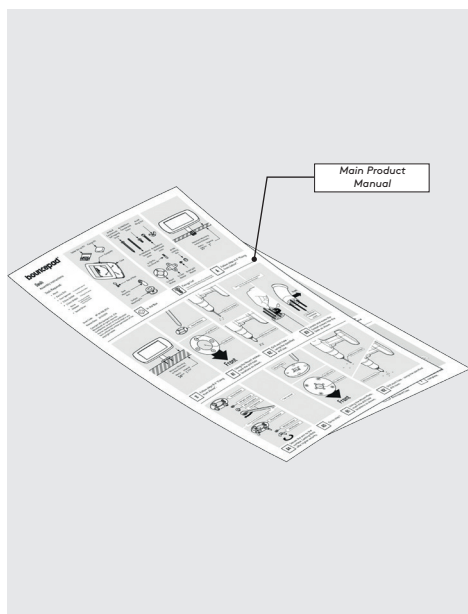


In the Box

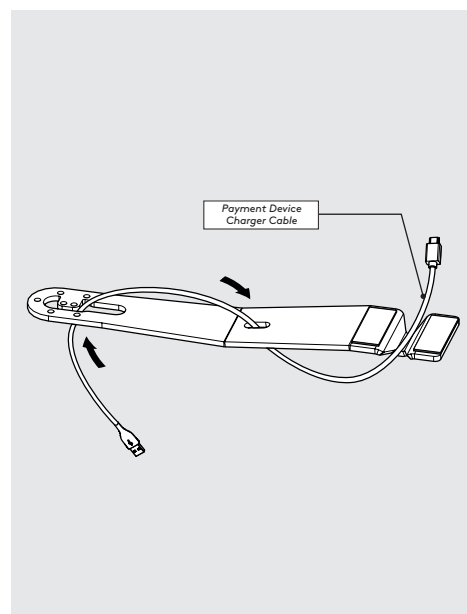
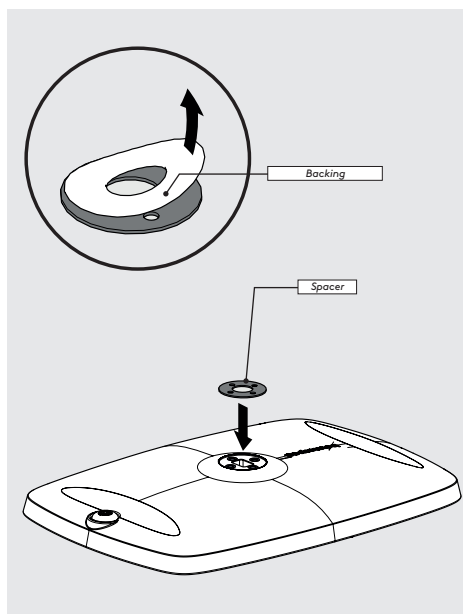


Fixings List

* Due to the modular nature of our product range you may receive additional fixings in the fixings kit



Main Product Manual



1

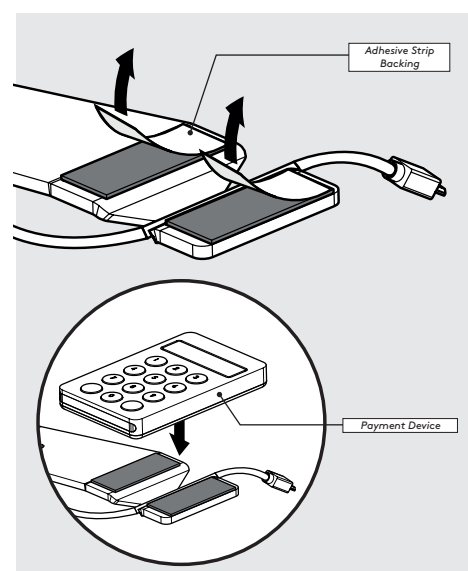
Complete the steps for your chosen Stand up until the point of attaching the Case. Then turn to this Manual.

2

Remove the backing from the Spacer. Align with the screw holes on the Case and firmly stick down.

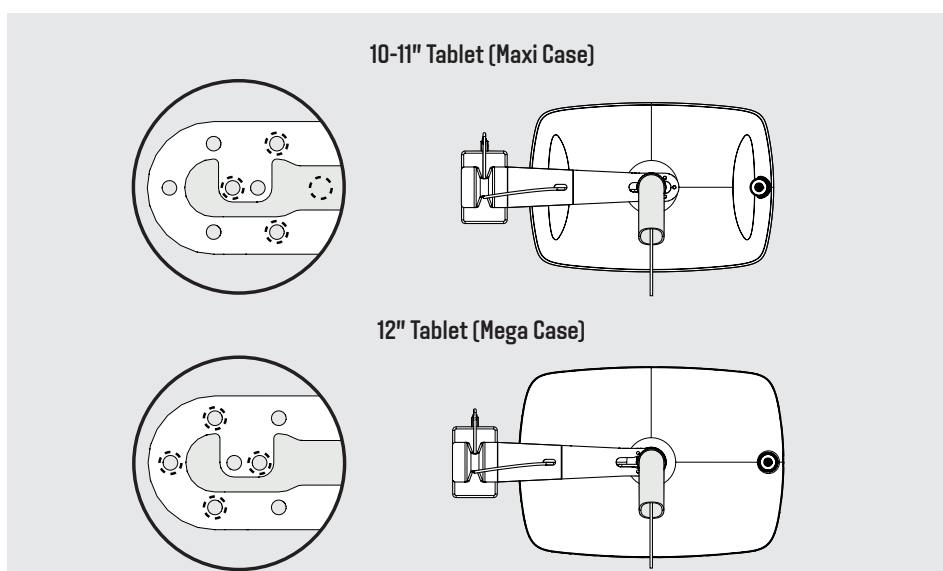
3

Route the Payment Device Charger Cable through the Self-Service Mount.



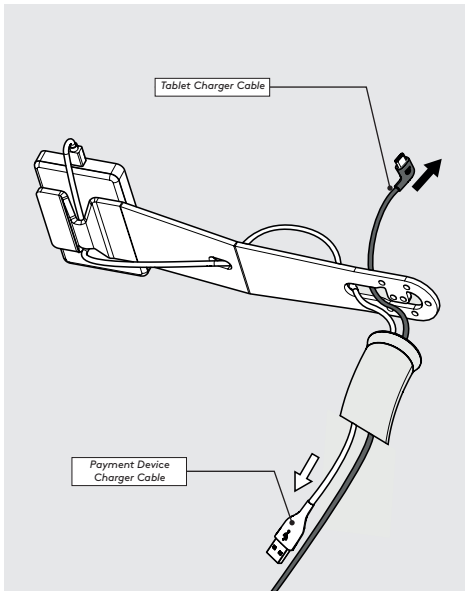
4

Remove the backing from Adhesive Strips. With the cable resting in the bend, centre your Payment Device and firmly press down. Plug in the USB cable

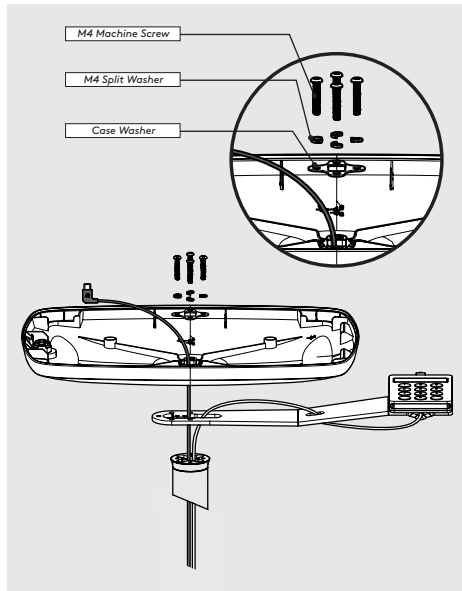


5

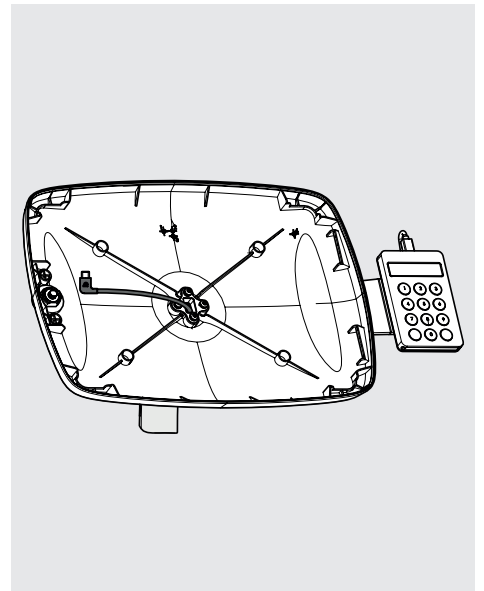
Depending on the size of your tablet/case, note the mounting location.



6 Feed your charge cables through the Mounting Arm.



7 Attach the Case and Self-Service Mount to the Mounting arm with the 20mm M4 Machine Screws (supplied with Self Service Mount).



8 Return to the Main Product Manual to complete the assembly.