

Desk

Assembly Instructions

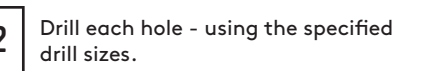
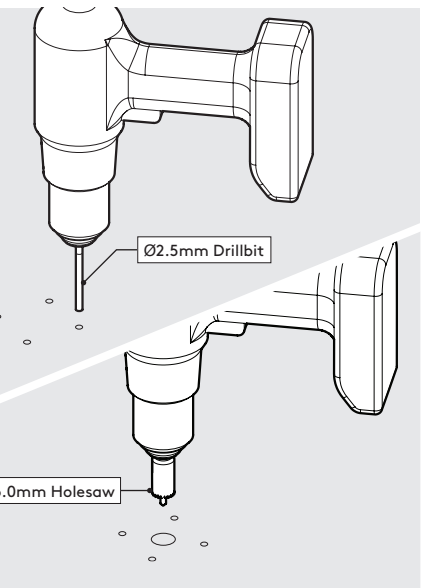
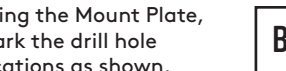
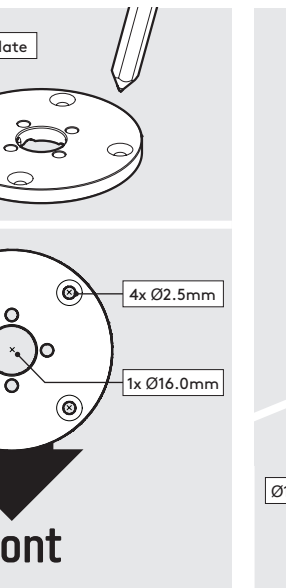
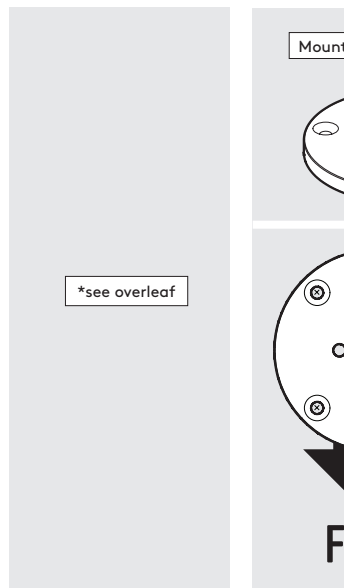
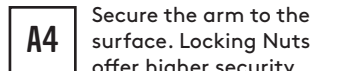
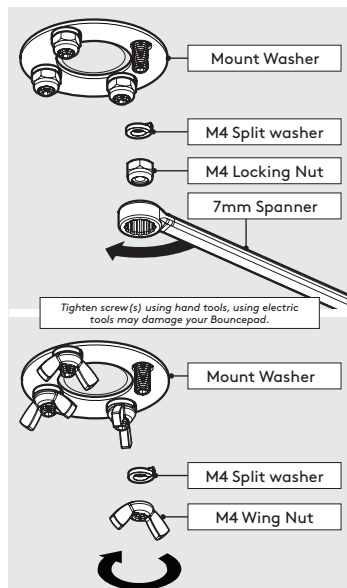
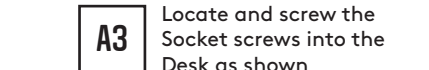
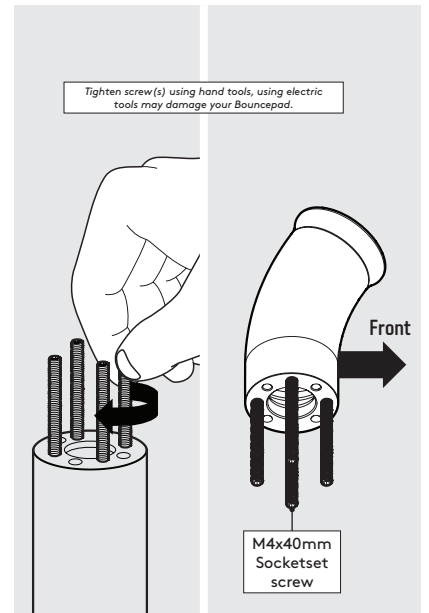
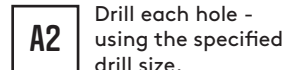
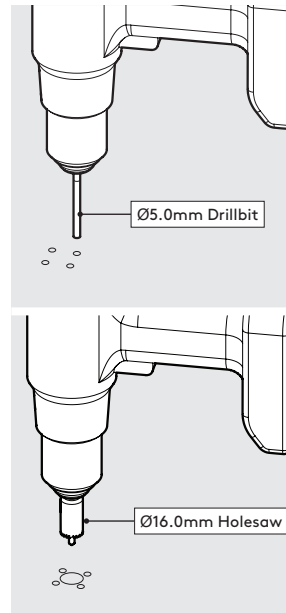
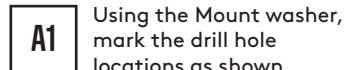
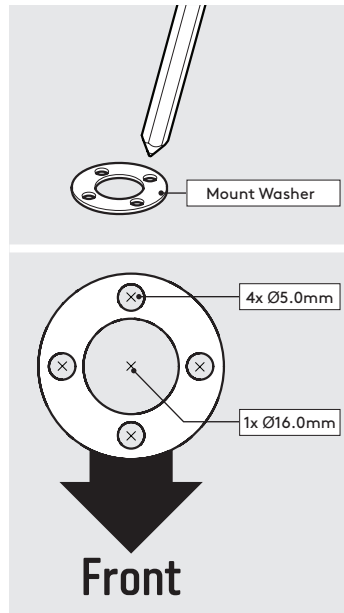
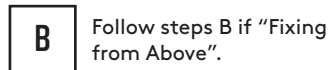
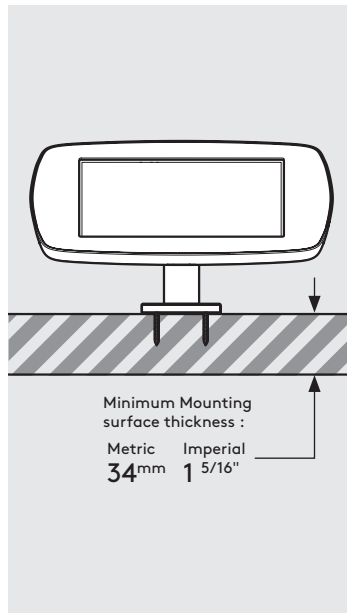
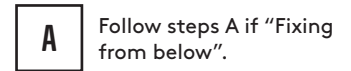
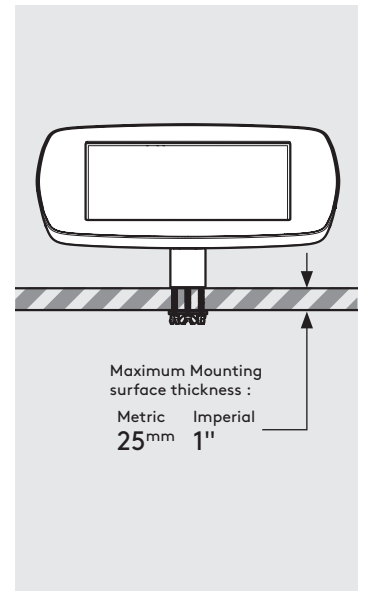
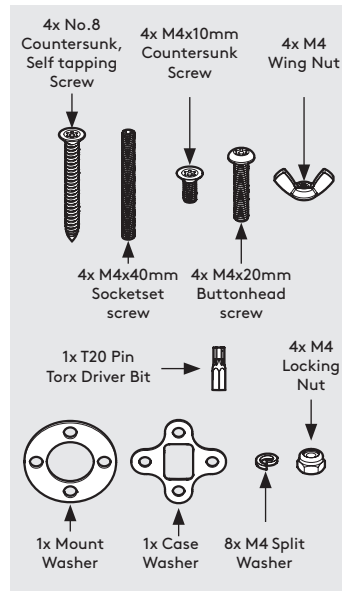
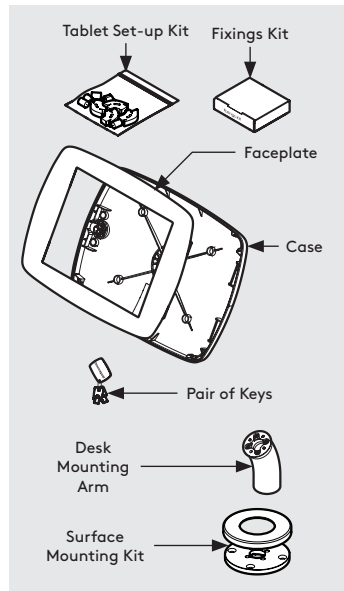
Tools Required:

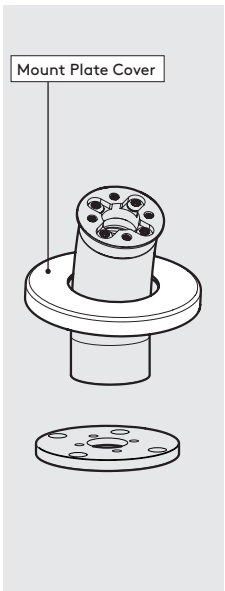
- Pencil
- Electric Drill
- 7mm Spanner **or adjustable spanner*
- 5.0mm Drillbit **if fixing from below*
- 2.5mm Drillbit **if fixing from above*
- 16mm **if routing the tablet cable through your mounting surface*
Holesaw
- Socket Driver

Sheet Code: BP-IM-028_REV2

Release Date: 23/10/2019

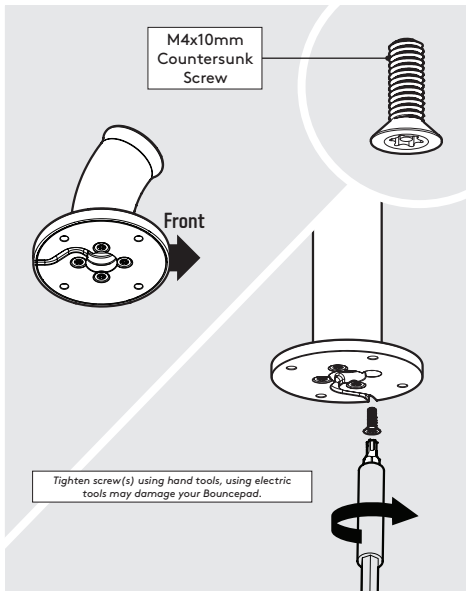
Copyright 2016 Spotspot Ltd. (T/A Bouncepad) all rights reserved. Confidential, no part of this publication may be reproduced or transmitted in any form without the written permission of the copyright holder.





Mount Plate Cover

B3 Locate the Cover onto the Desk.

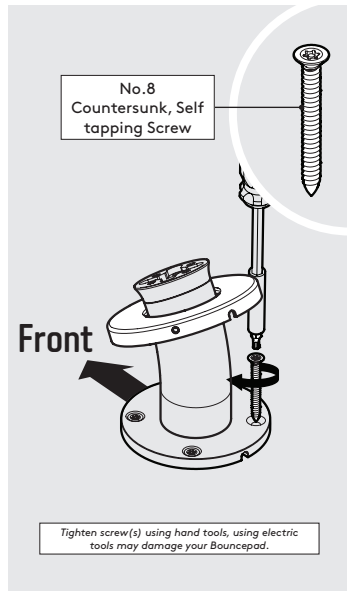


M4x10mm Countersunk Screw

Front

Tighten screw(s) using hand tools, using electric tools may damage your Bouncepad.

B4 Join the Desk Arm & Mount Plate in the orientation shown.

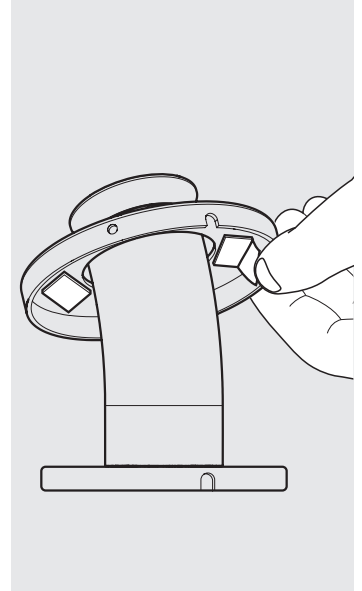


No.8 Countersunk, Self tapping Screw

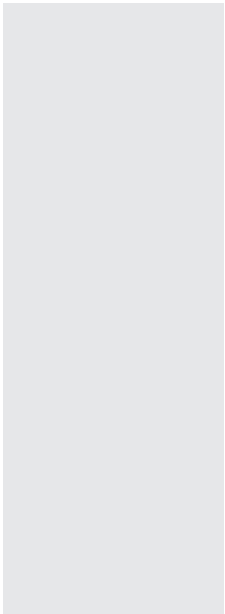
Front

Tighten screw(s) using hand tools, using electric tools may damage your Bouncepad.

B5 Secure the Desk to the surface with the 4x countersunk fixings.



B6 Adhere the Mount Cover onto the Mount Plate with the adhesive tabs.



Tighten screw(s) using hand tools, using electric tools may damage your Bouncepad.

T20 Pin Torx Driver Bit

M4x20mm Buttonhead screw

M4 Split Washer

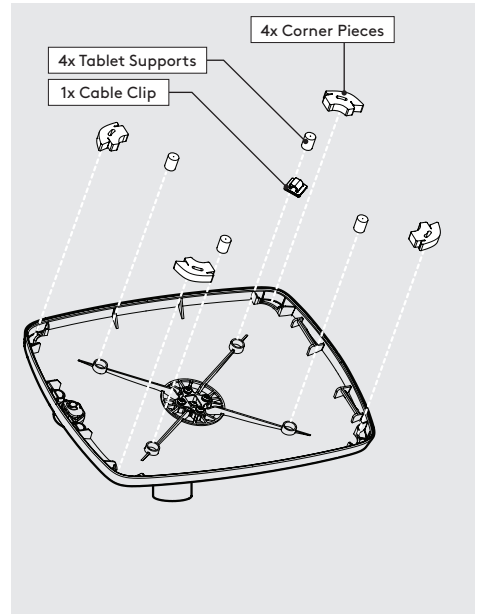
Case Washer

B7 Go to step 1.

1 Locate and attach the Bouncepad Case to the Desk as shown.



2 Unlock & remove the Faceplate from the Bouncepad Case.

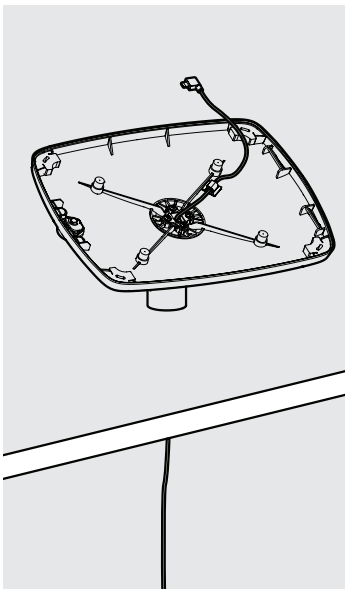


4x Tablet Supports

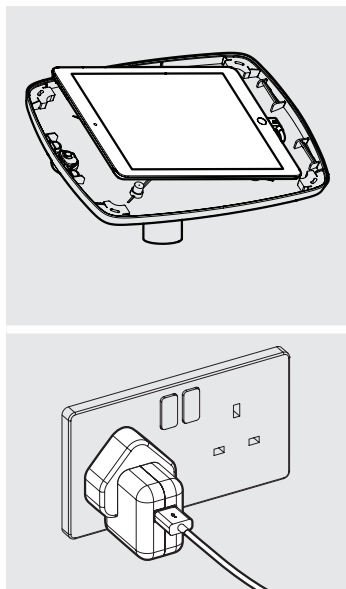
1x Cable Clip

4x Corner Pieces

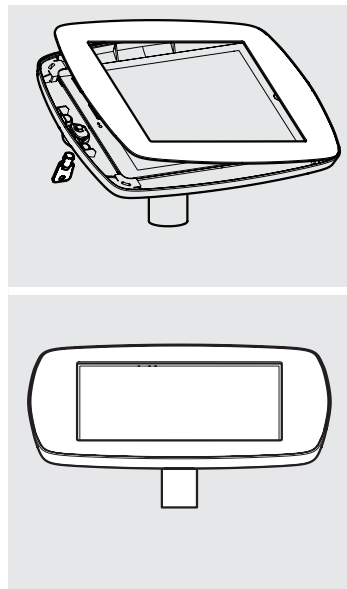
3 Install the Tablet Setup Kit. Each kit is specific per tablet device and Bouncepad Case.



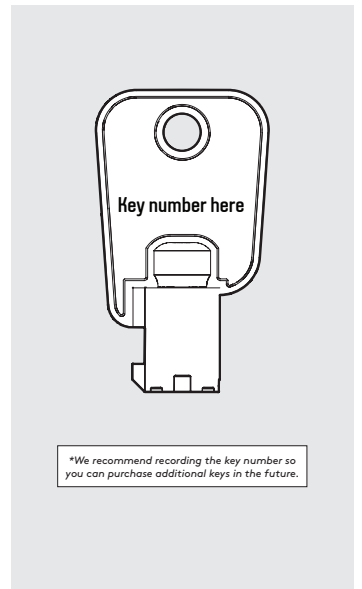
4 Feed the tablet cable through the Bouncepad Case & Flex.



5 Place the tablet into the Case and connect to power.



6 Locate & lock the Faceplate onto the Bouncepad Case.



7 Installation is now complete.

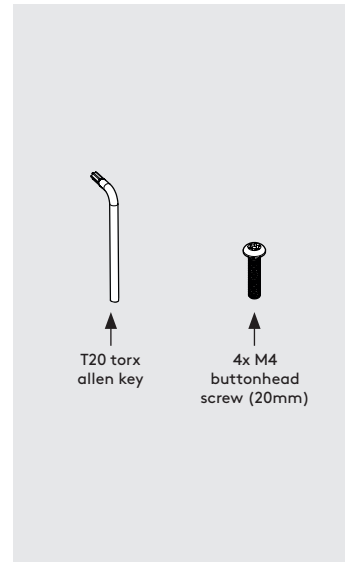
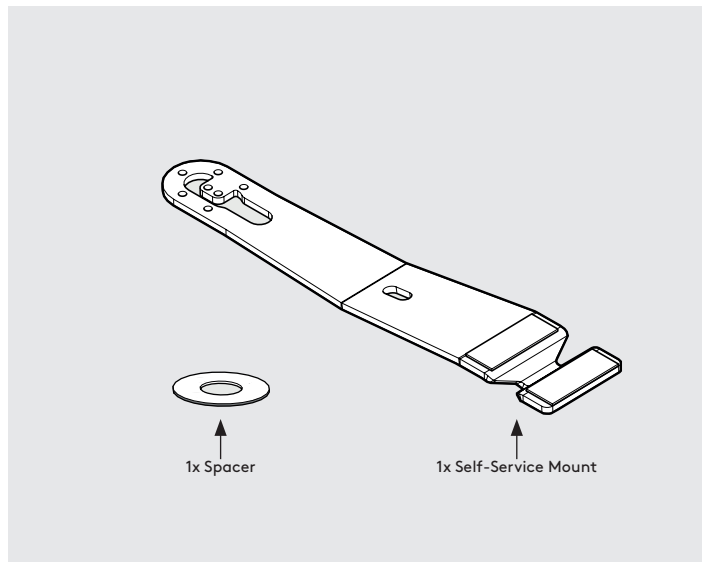
*We recommend recording the key number so you can purchase additional keys in the future.

Self-Service Mount

Sheet Code: BP-IM-075_REV3

Release Date: 22/06/2022

Copyright 2022 Spotspot Ltd. (T/A Bouncepad) all rights reserved. Confidential, no part of this publication may be reproduced or transmitted in any form without the written permission of the copyright holder.

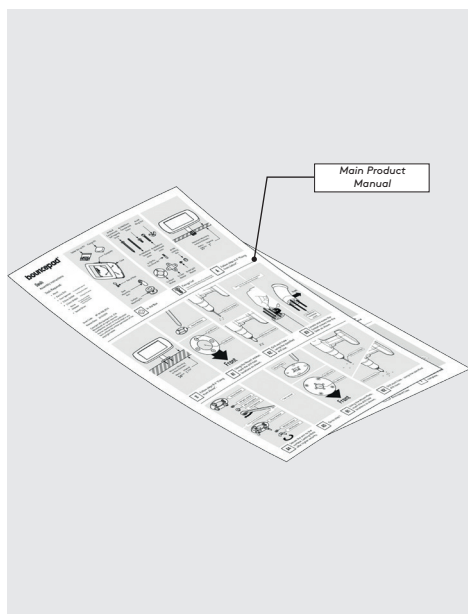


In the Box

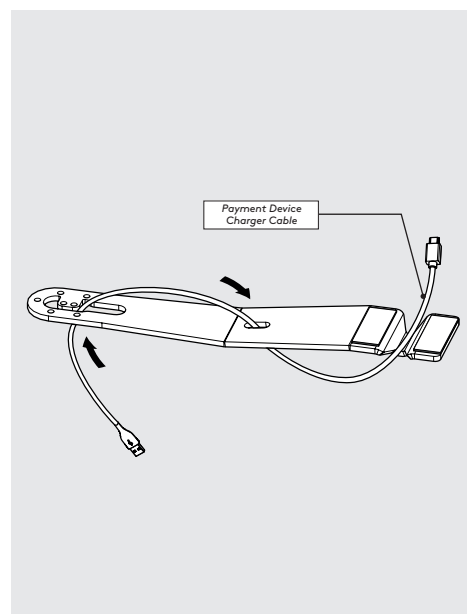
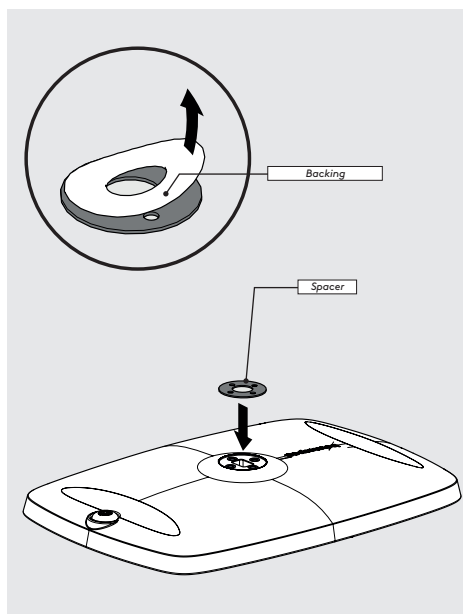


Fixings List

* Due to the modular nature of our product range you may receive additional fixings in the fixings kit



Main Product Manual



1

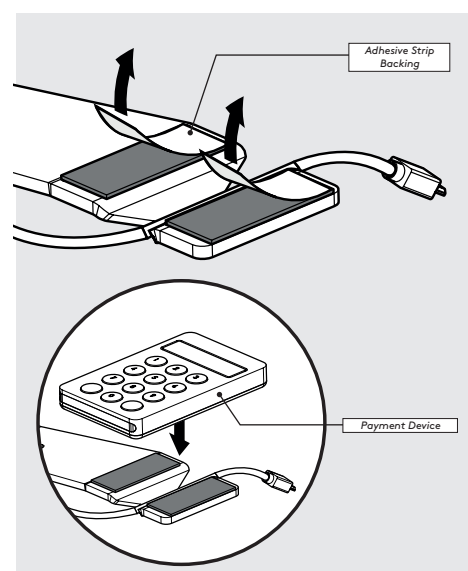
Complete the steps for your chosen Stand up until the point of attaching the Case. Then turn to this Manual.

2

Remove the backing from the Spacer. Align with the screw holes on the Case and firmly stick down.

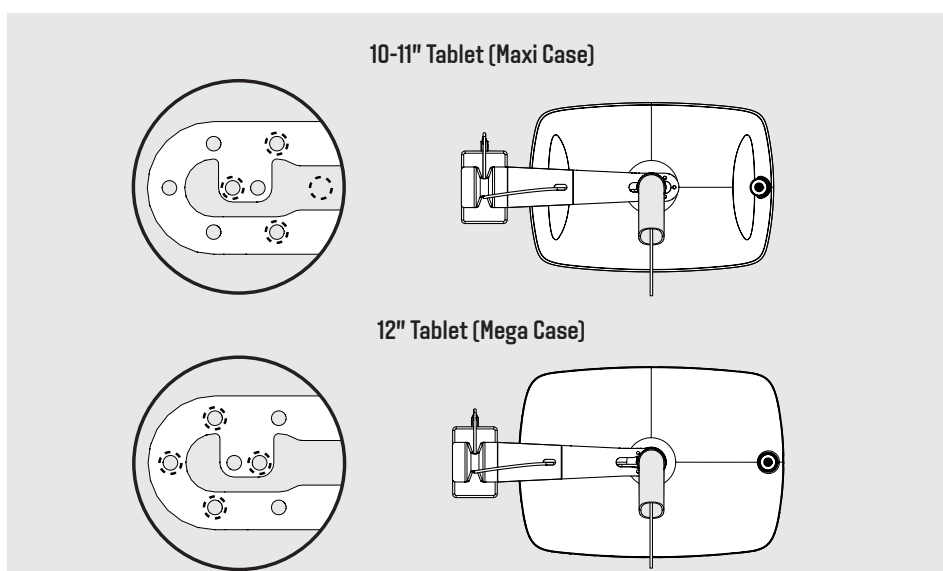
3

Route the Payment Device Charger Cable through the Self-Service Mount.



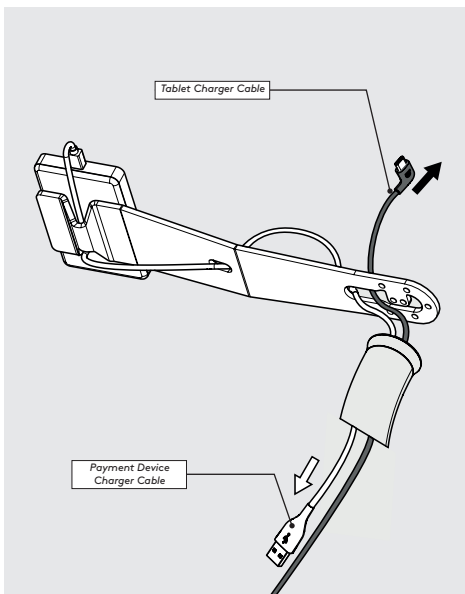
4

Remove the backing from Adhesive Strips. With the cable resting in the bend, centre your Payment Device and firmly press down. Plug in the USB cable

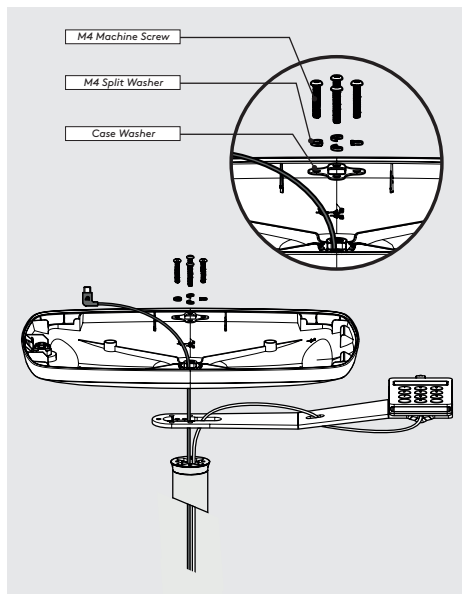


5

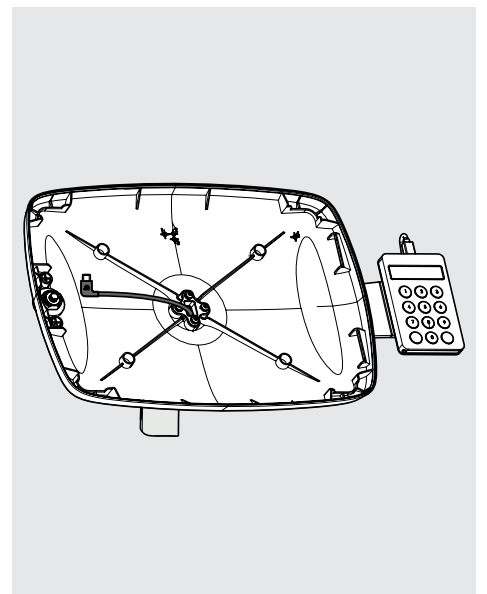
Depending on the size of your tablet/case, note the mounting location.



6 Feed your charge cables through the Mounting Arm.



7 Attach the Case and Self-Service Mount to the Mounting arm with the 20mm M4 Machine Screws (supplied with Self Service Mount).



8 Return to the Main Product Manual to complete the assembly.