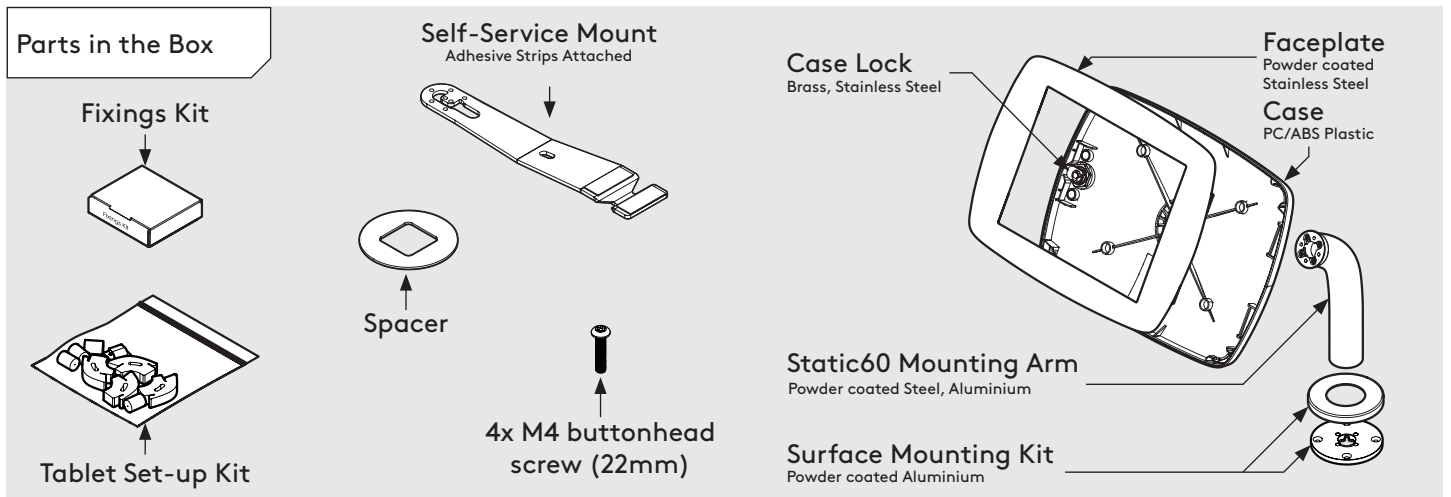
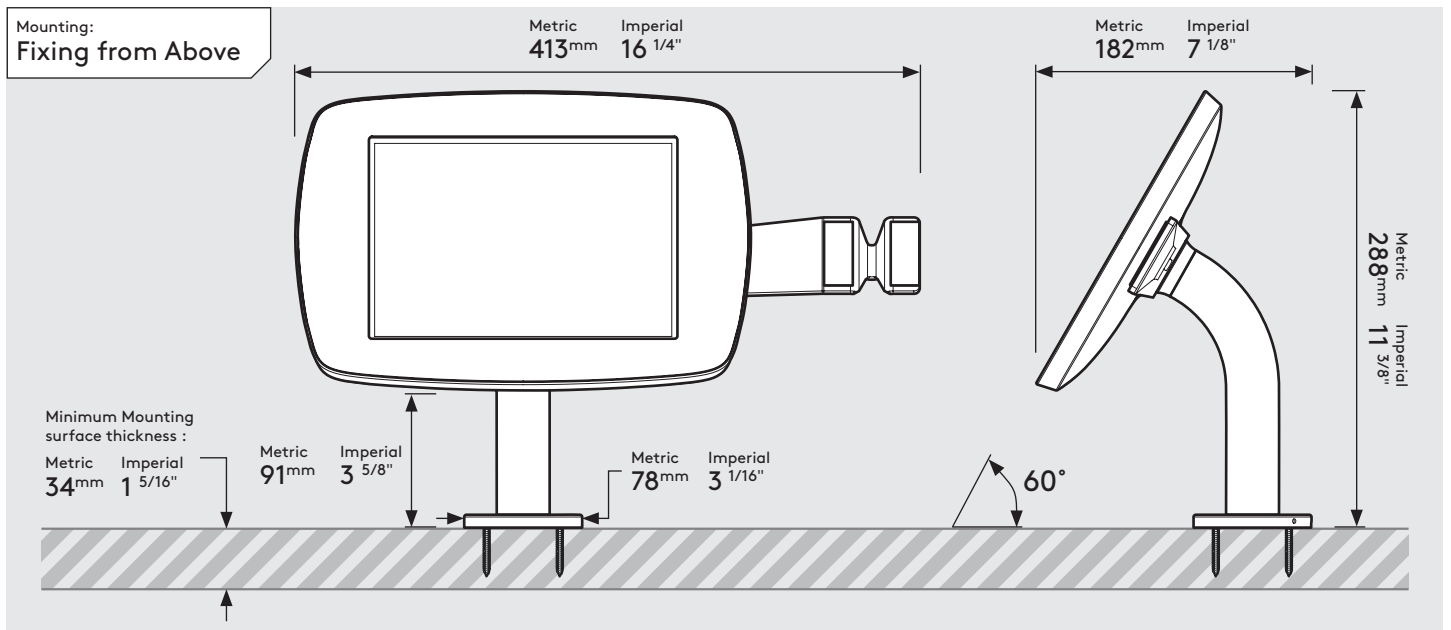
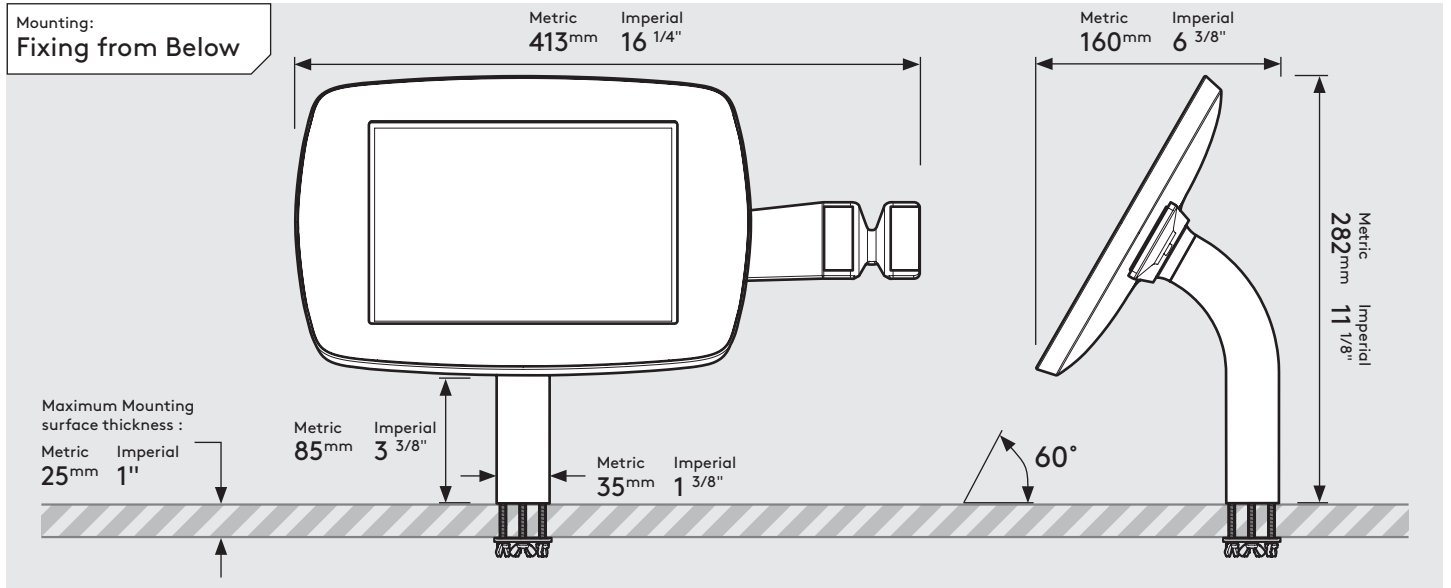


PRODUCT DATA SHEET - UNIVERSAL CARD READER STATIC60 (MIDI CASE)

bouncepad®

Case: Midi
Arm: Static60
Mounting: Fixing from Below
Packaged weight: 2.26kg
Colour: White
 Black

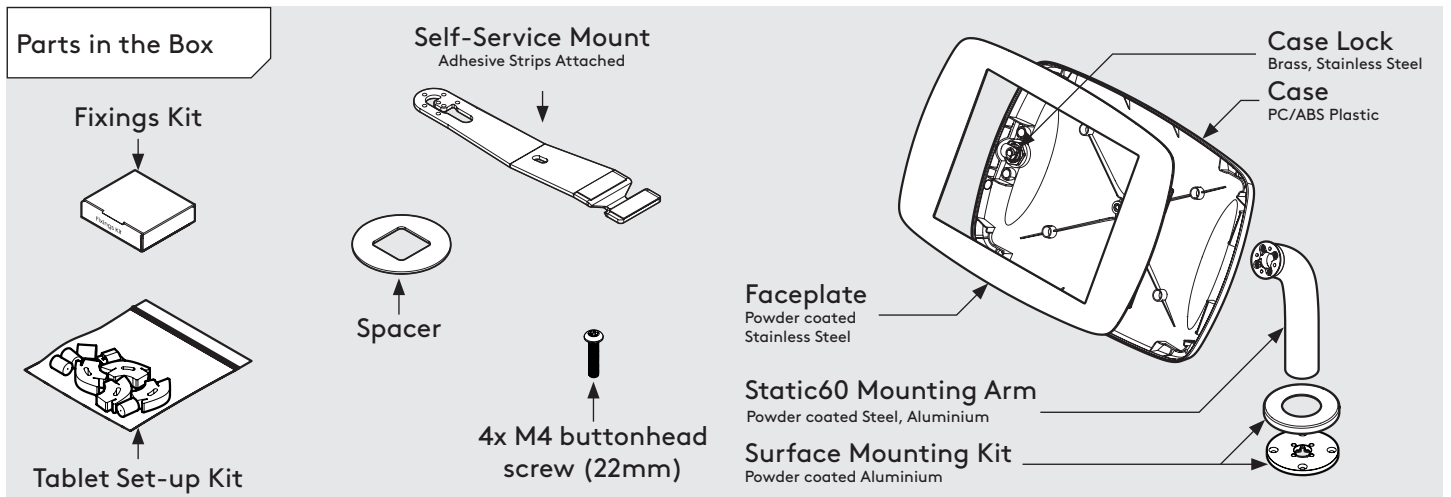
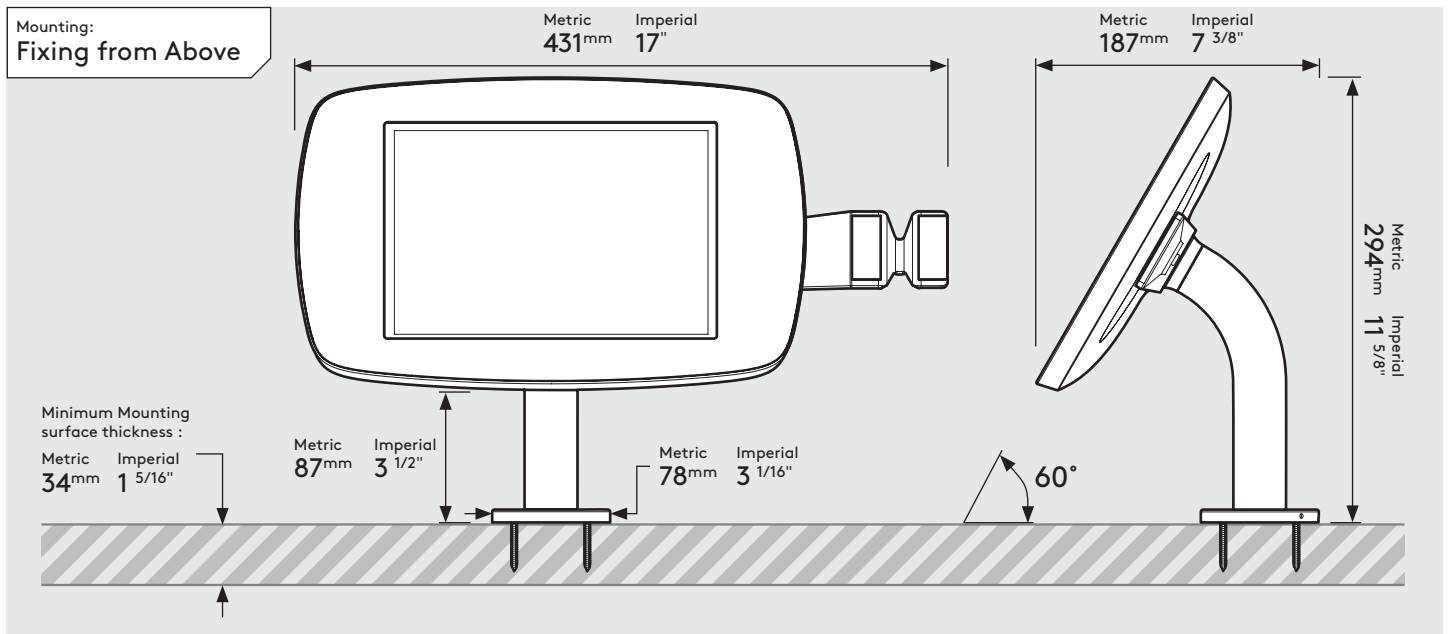
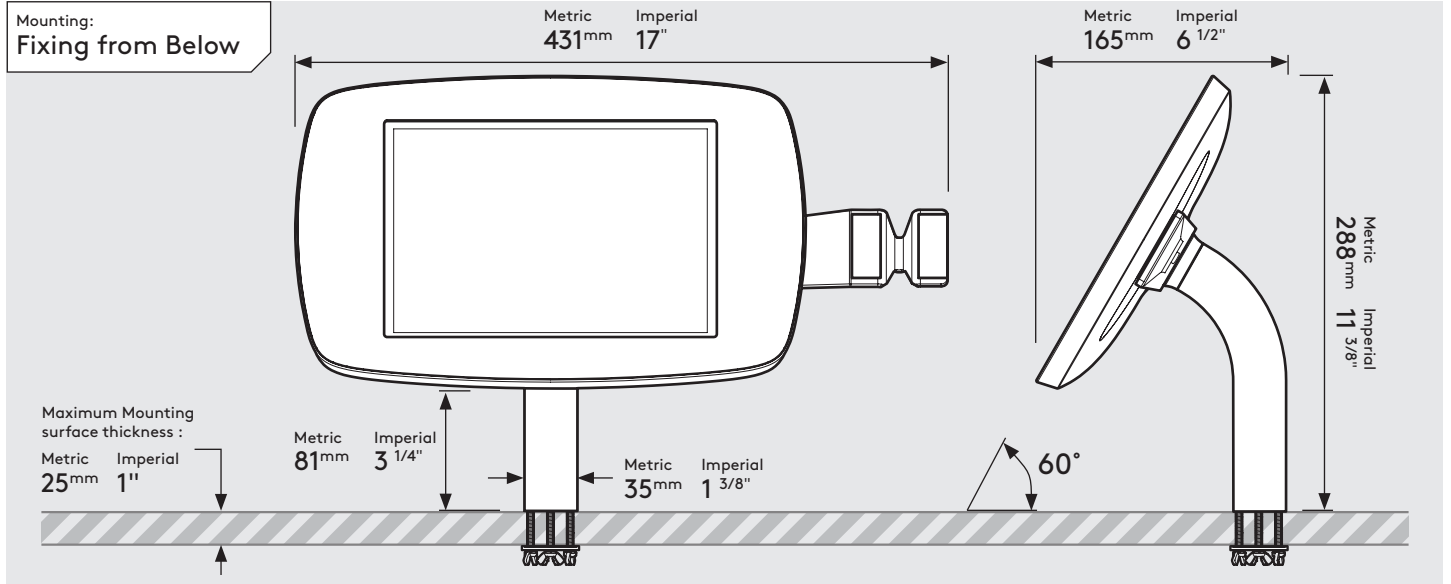
Fixing from Above



PRODUCT DATA SHEET - UNIVERSAL CARD READER STATIC60 (MAXI CASE)

bouncepad[®]

Case: Maxi
Arm: Static60
Mounting: Fixing from Below
 Fixing from Above
Packaged weight: 2.49kg
Colour: White
 Black



PRODUCT DATA SHEET - UNIVERSAL CARD READER STATIC60 (MEGA CASE)

bouncepad®

Case: Mega **Arm:** Static60 **Mounting:** Fixing from Below
 Fixing from Above **Packaged weight:** 2.88kg **Colour:** White
 Black

