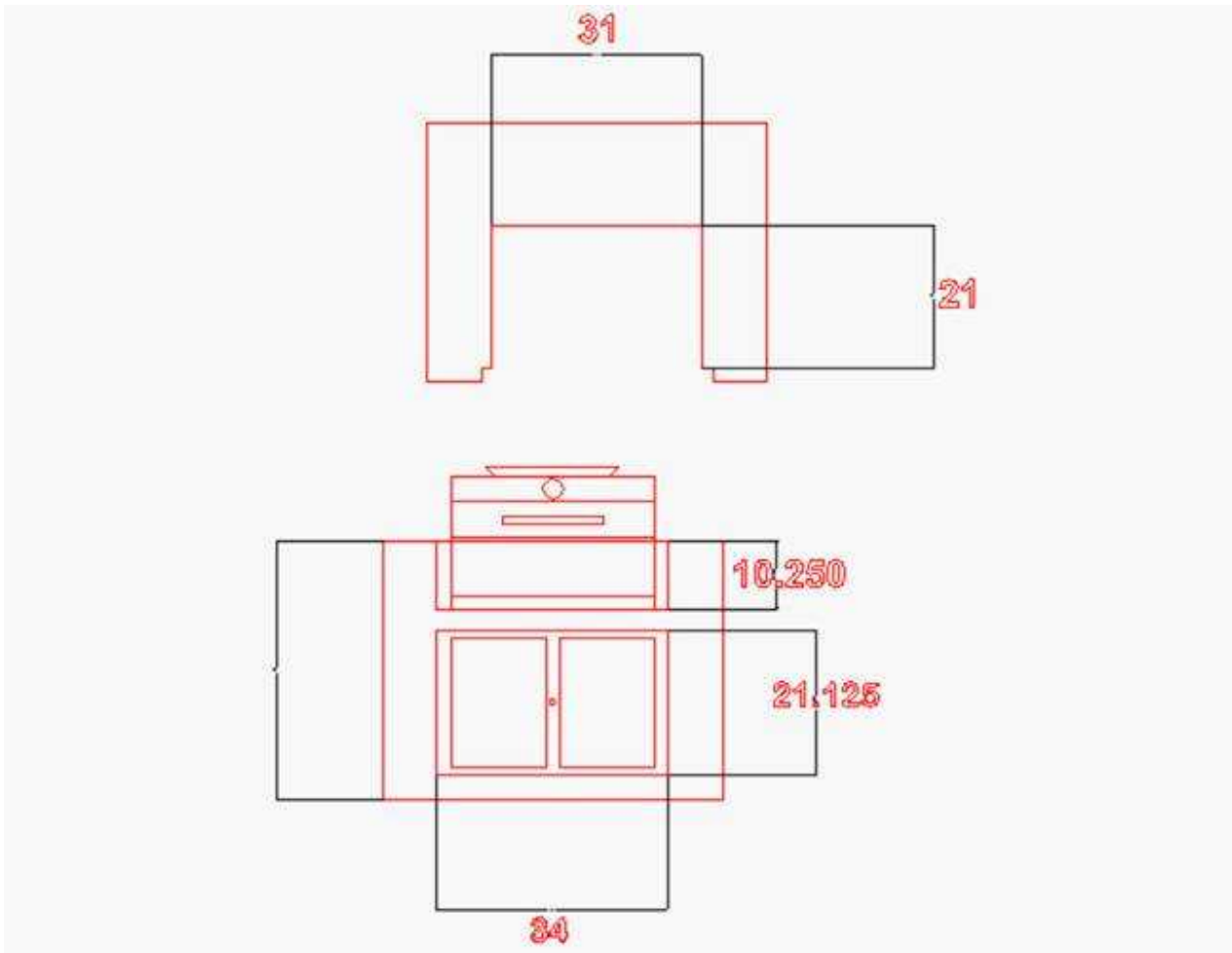


Wilmington Grill 30" Charcoal Drop In Grill Dimensions



Above drawing shows a 38" tall counter with a 2" thick top. 10.5" x 17" dimensions on top image show the cutout required for optional sideburner. An open grill lid will require a 12" clearance behind the grill on the counter.

DO NOT place or use this grill under an unprotected combustible surface. A minimum overhead safe distance of 60" must be maintained. Maintain a distance of 24" on the back and sides of the grill from any combustible surface. Do not use a combustible material to construct the support frame for the grill. Drop In grills can be used in an enclosed structure with assisted / proper ventilation if the above conditions are maintained.