



xiaomi P2301 4 Ultra Electric Scooter User Manual

[Home](#) » [Xiaomi](#) » xiaomi P2301 4 Ultra Electric Scooter User Manual 

xiaomi P2301 4 Ultra Electric Scooter User Manual

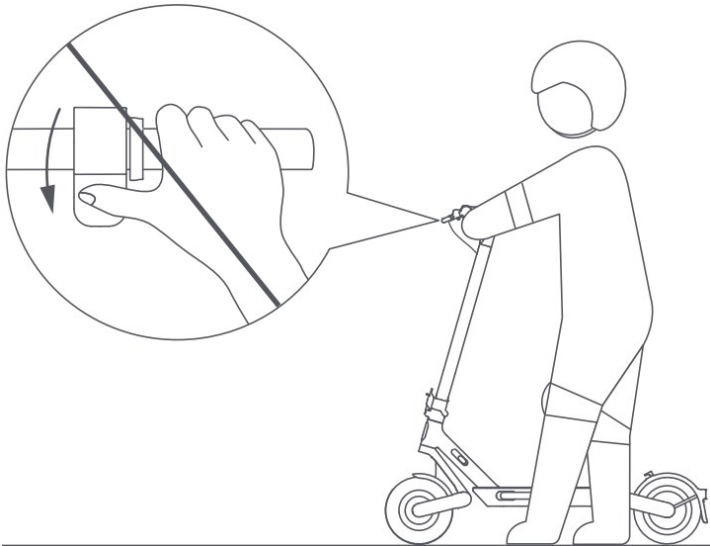


Watch out for Safety Risk

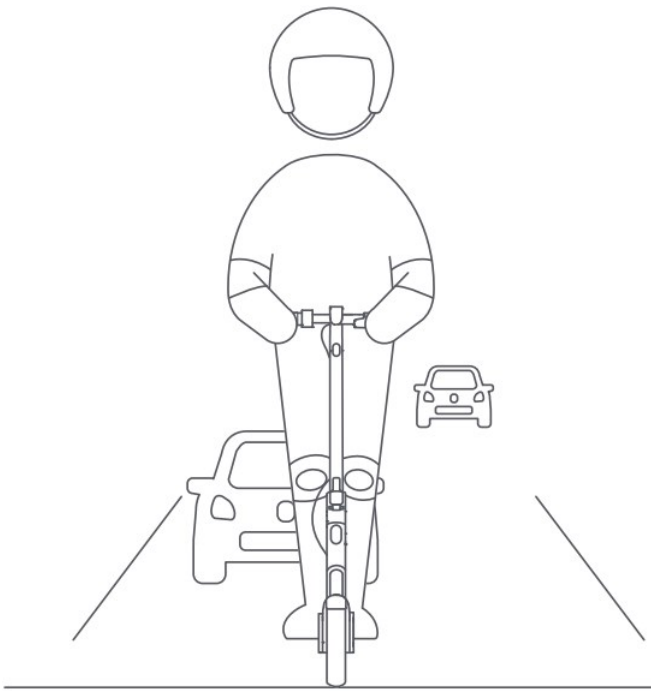
Always steer clear of obstacles.



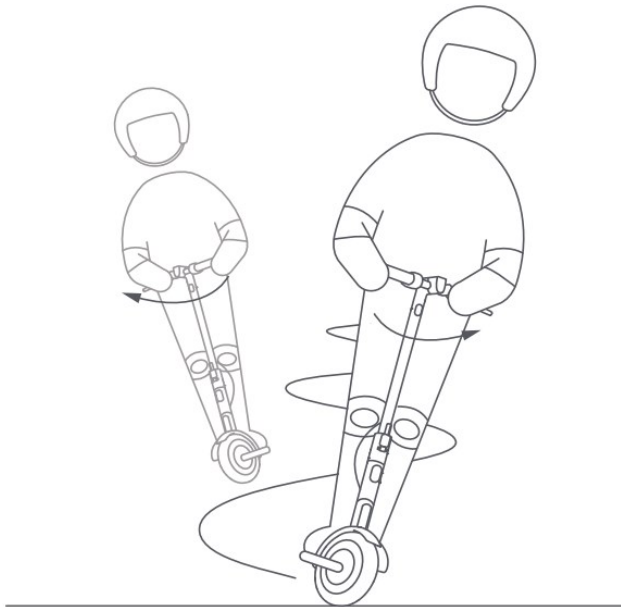
Do not press the accelerator when you are walking alongside the scooter



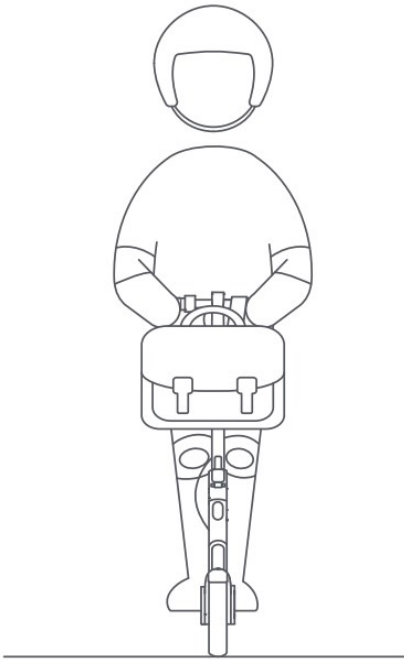
Unless otherwise authorized by the local laws, it is forbidden and illegal to ride on public roads, motorways, and expressways.



Do not abruptly change the steering direction at high speed.



Do not hang bags or other heavy stuff on the handlebar.



Do not ride on one foot



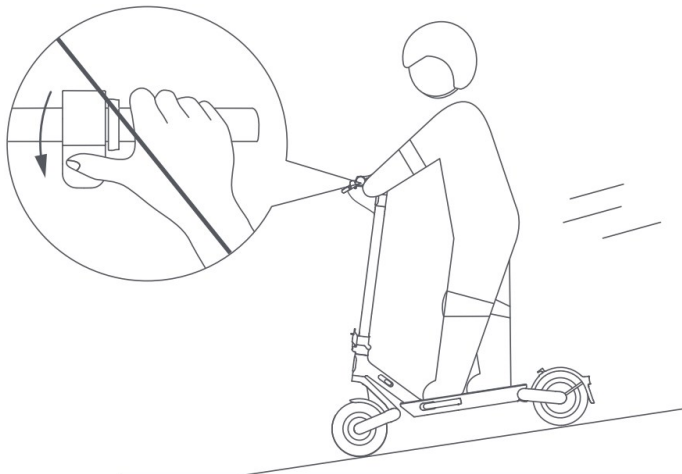
Do not use mobile phone or wear earphones when operating the scooter.



Do not ride in the rain. Do not ride through puddles or any other (water) obstacles.



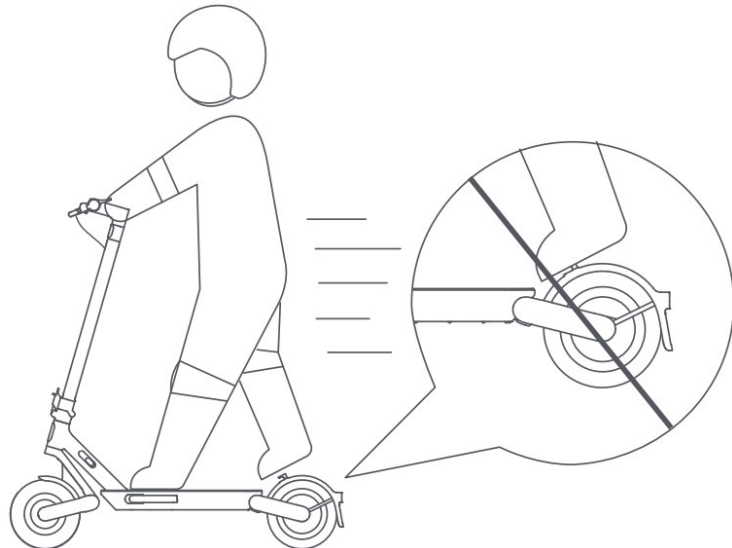
Do not accelerate when going downhill, and brake in time to slow down. When on a steep slope, you need to step off the scooter and push



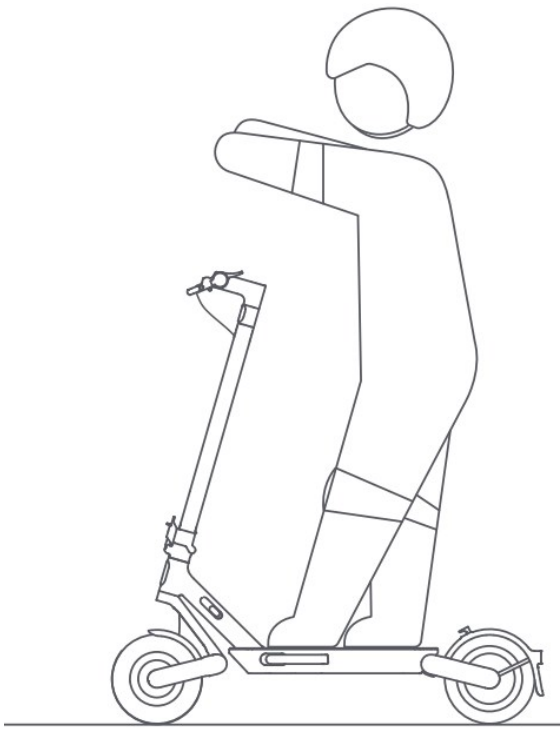
Do not ride with anyone else, including children



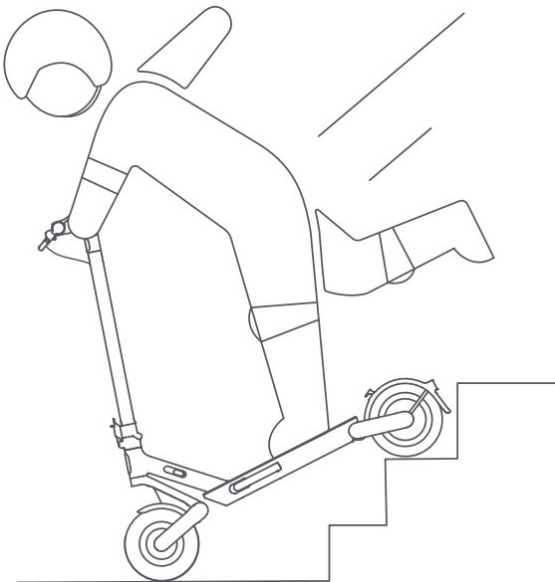
Do not keep your feet on the rear mudguard.



Do not let go of the handlebar while riding.



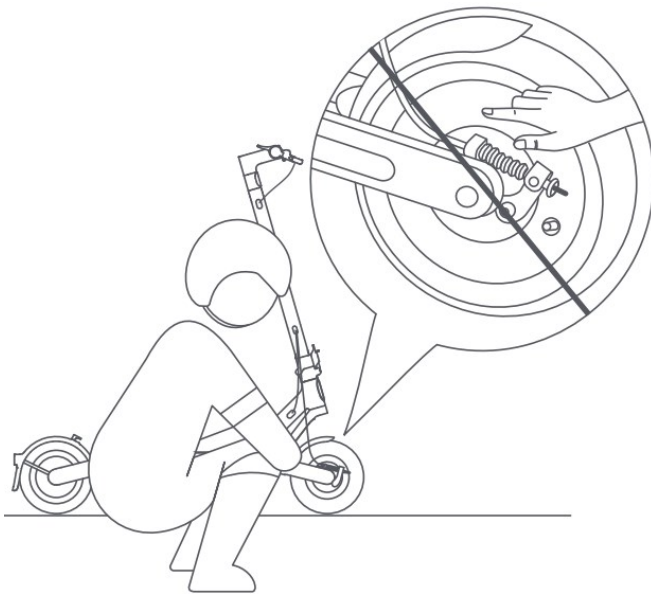
Do not try riding up or down stairs, nor try jumping over obstacles.



Do not directly ride through puddles. If there is a puddle, avoid it at a low speed



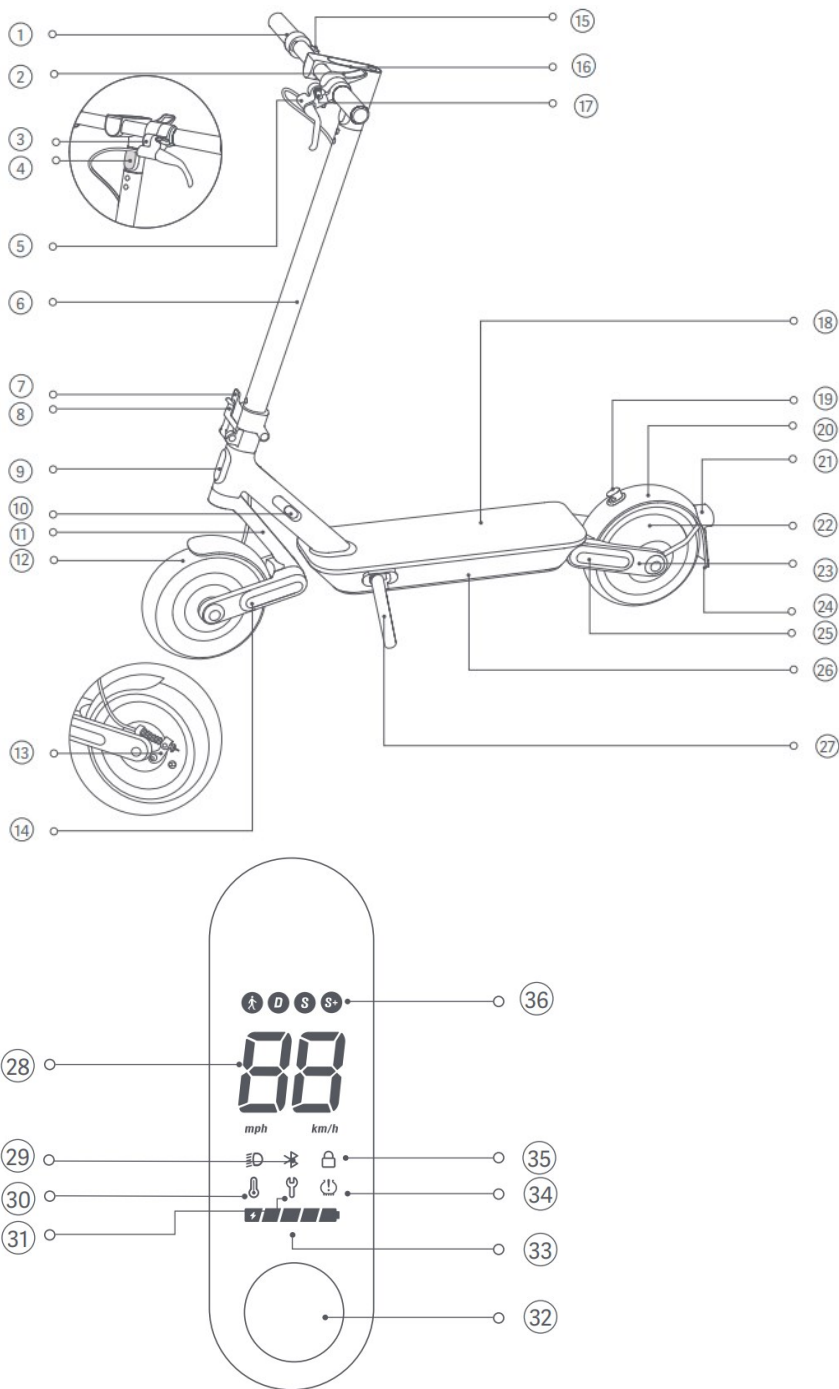
Do not touch the mechanical brake



Contents

- [1 Product Overview](#)
- [2 Package Content](#)
- [3 Assembly and Set-up](#)
- [4 Inflate the Tire](#)
- [5 Documents / Resources](#)
 - [5.1 References](#)
- [6 Related Posts](#)

Product Overview

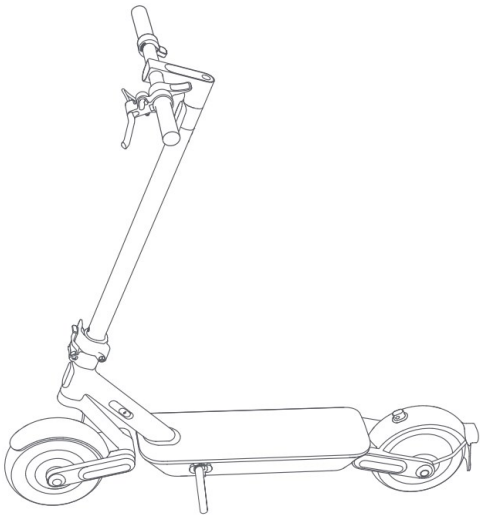


- 1. Handlebar
- 2. Buckle
- 3. Scooter Bell
- 4. Headlight
- 5. Brake Lever
- 6. Stem
- 7. Quick Release Lever
- 8. Quick Release Lever Lock
- 9. Front Reflector
- 10. Charging Port
- 11. Front Fork
- 12. Front Mudguard
- 13. Mechanical Brake

14. Front Rocker Arm (Built-in)
15. Accelerator
16. Control Panel & Power Button
17. Bell Lever
18. Deck
19. Hook
20. Rear Mudguard
21. Tail Light & Rear Reflector
22. Wheel Motor
23. Rear Rocker Arm (Built-in)
24. Number Plate
25. Side Reflector
26. Battery Compartment
27. Kickstand
28. Speedometer: It displays the current speed when the scooter is working. When the scooter has an issue, it displays an error code. When the scooter is charging, it displays the current battery level.
29. Bluetooth: When the icon lights up, it indicates that the scooter has been successfully connected to the mobile device.
30. Temperature Warning: If the battery temperature is too high or too low, the thermometer icon will be on. This will result in reduced acceleration and possibly charging issues. Use or charge the scooter after its battery temperature returns to the normal operating range.
31. Error Notification: When the wrench icon displays red, it indicates that the scooter has an error
32. Power Button: Press the button to turn the scooter on, and hold the button for 2 to 3 seconds to turn the scooter off. When the scooter is on, press the button to turn on/off the headlight and tail light, and press twice to cycle through the modes.
Note: The scooter will turn off automatically when it enters standby mode for more than 10 minutes. The standby mode means that the scooter is being charged or not locked when it is on and not running.
33. Battery Level: The battery power is indicated by 5 bars, each representing approximately 20% of a full battery.
34. Inflation: When the inflation icon is on, it means that it is time to maintain the tires. Check the tire pressure and inflate the tires immediately to avoid tire damage caused by inadequate tire pressure. The recommended tire pressure is 40–45 psi.
Note: After performing maintenance, follow the instructions in the app to disable the inflation reminder
35. **Lock:** When the icon lights up, it indicates that the scooter is locked. You can lock/unlock the scooter via the Mi Home/Xiaomi Home app.
36. Modes: is for walking mode, and its maximum speed is 6 km/h; the taillight will blink red when this mode is enabled. D is for standard mode. S is for sport mode. S+ is for sport plus mode, which has the same maximum speed as the sport mode and greater acceleration.

Package Content

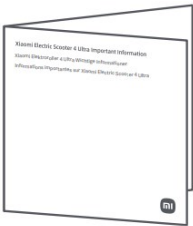
- Electric Scooter



- User Manua



- Important Information



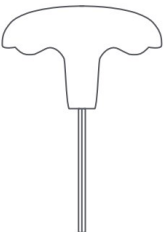
- Specifications



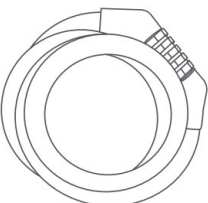
- Extension Nozzle



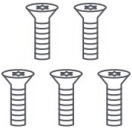
- Allen Key



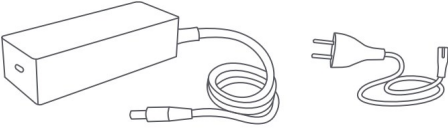
- Combination Lock



- Screw × 5

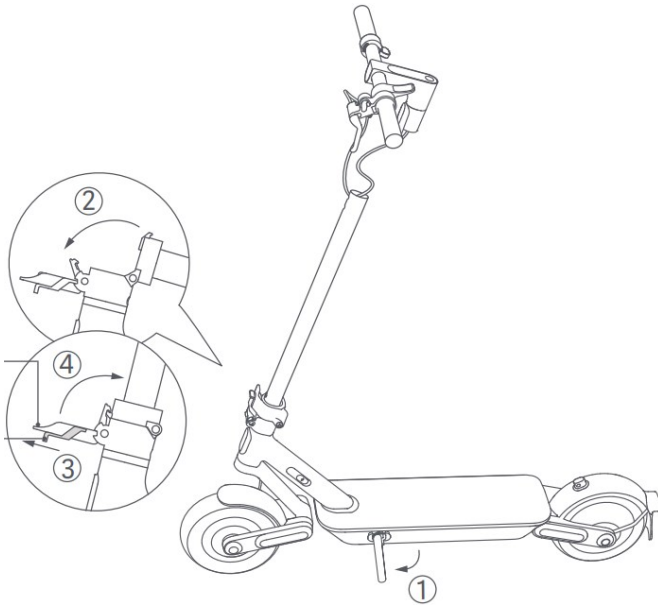


- Battery Charger

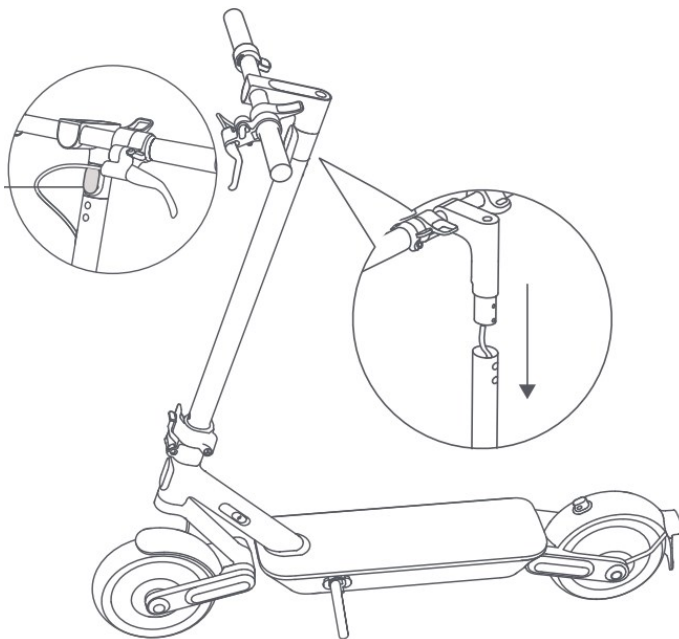


Assembly and Set-up

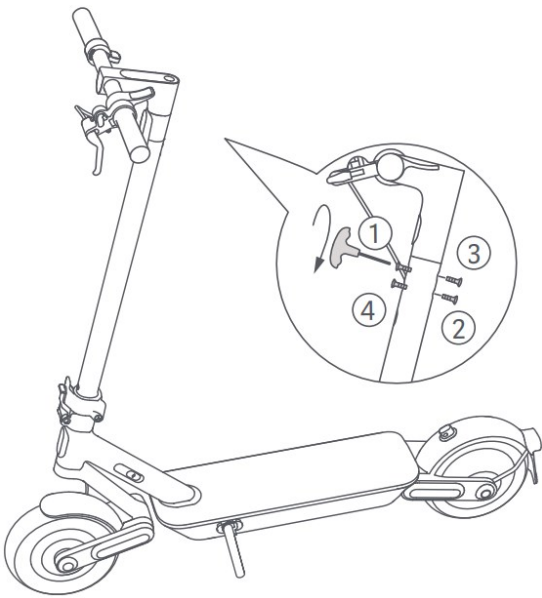
1. Put down the kickstand, and hold up the stem until it is completely in an upright position. Then lift the quick release lever lock, and push the quick release lever inward to the end



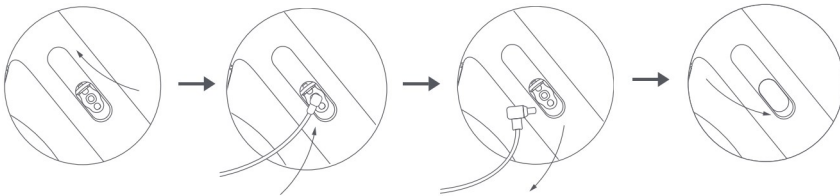
2. Install the handlebar onto the stem, and make sure to install the handlebar in the correct direction



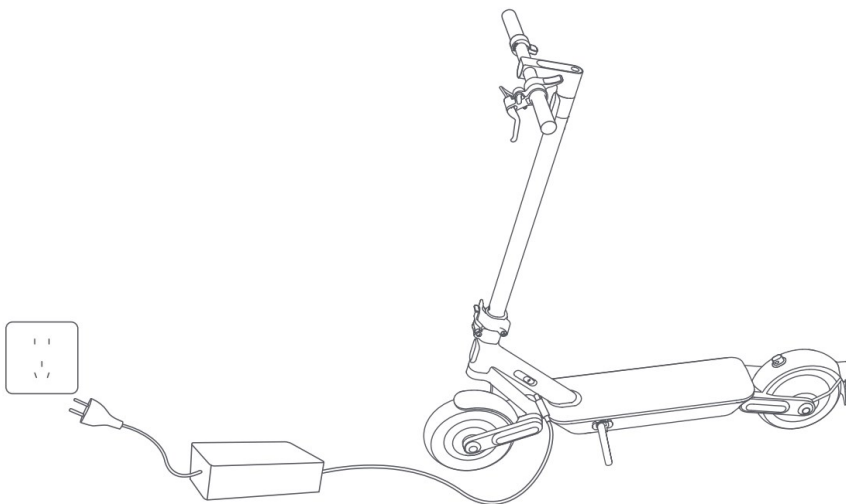
3. Follow the number order as illustrated to pre-tighten the four screws with the included Allen key. Make sure the handlebar is correctly installed and then tighten the screws thoroughly



Charge Your Scooter



1. Lift up the rubber flap
2. Connect the battery charger to the charging port
3. Disconnect the battery charger from the charging port when charging is completed.
4. Put back the rubber flap



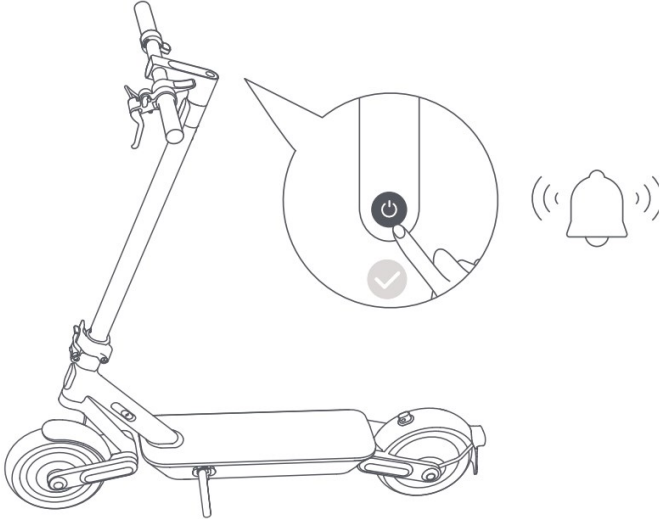
The scooter is fully charged when the LED on the battery charger changes from red (charging) to green (fully charged).



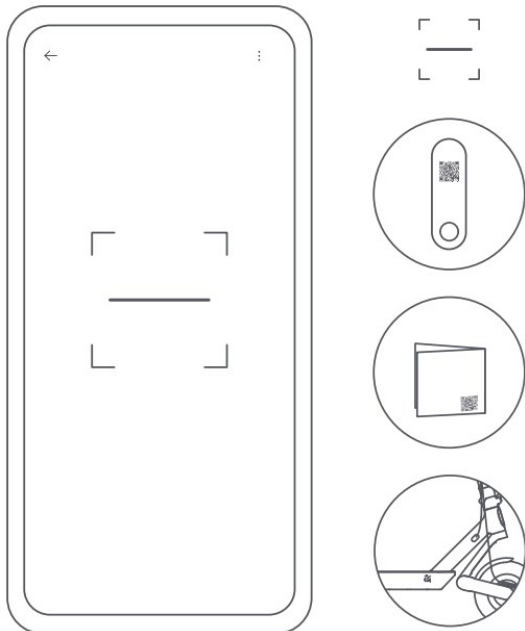
When the scooter is turned off for about a month with the battery level of the scooter being lower than 30%, the scooter will enter sleep mode. In this case, the scooter cannot be turned on. To exit the sleep mode, charge the scooter for about three seconds to activate the battery.

Connect with Mi Home

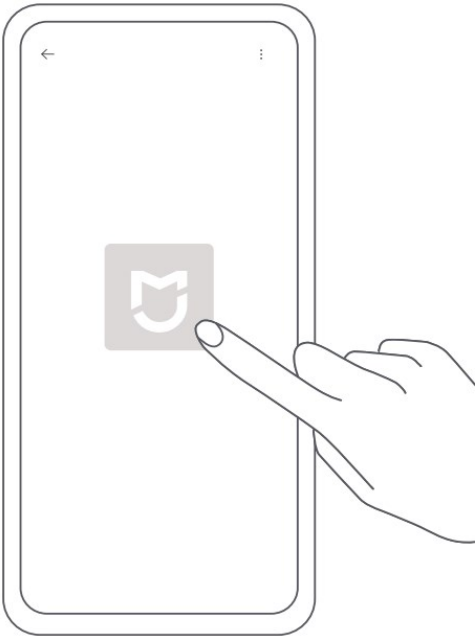
1. Before being activated, the scooter will keep beeping when turned on and is limited to 10 km/h. When the scooter is used for the first time, it must be activated via the Mi Home/Xiaomi Home app



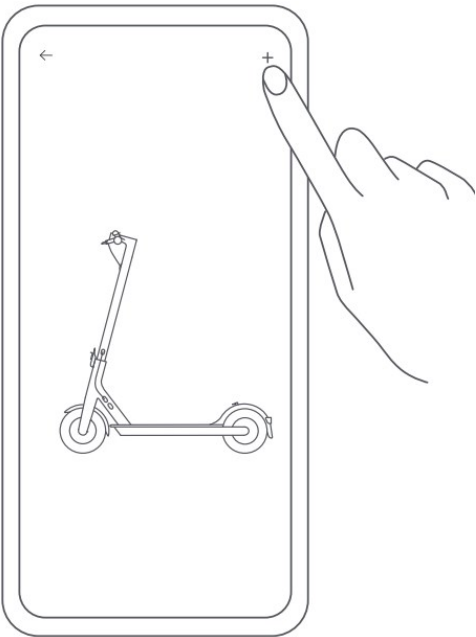
2. Scan the QR code on the label attached to the control panel, on the right side of the deck, or on the back cover of the user manual to download the Mi Home/Xiaomi Home app



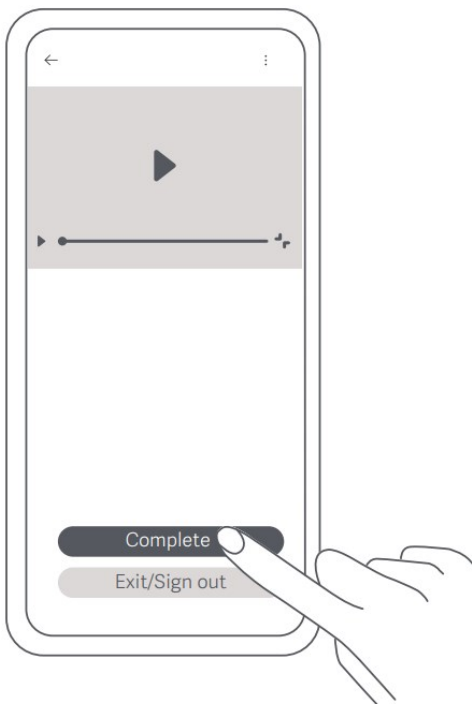
3. Open the Mi Home/Xiaomi Home app



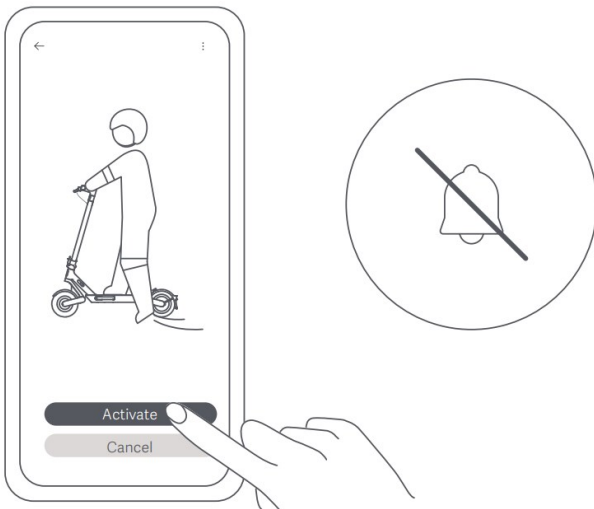
4. Tap “+” on the top right corner and open “Scan” to scan the QR code on the label attached to the control panel, on the right side of the deck, or on the back cover of the user manual again. Then follow the instructions in the app to add the scooter.



5. Watch the riding guide video. Do not exit the video before finishing it. Otherwise, the activation will fail

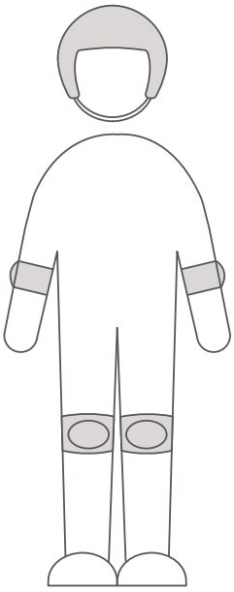


6. Tap “Activate” to activate the scooter. Once the scooter is activated, the beeping will stop and the speed restriction will be lifted.

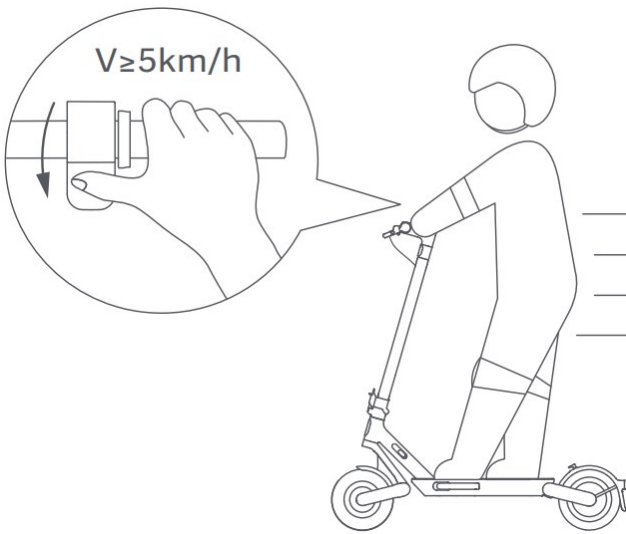


How to Ride

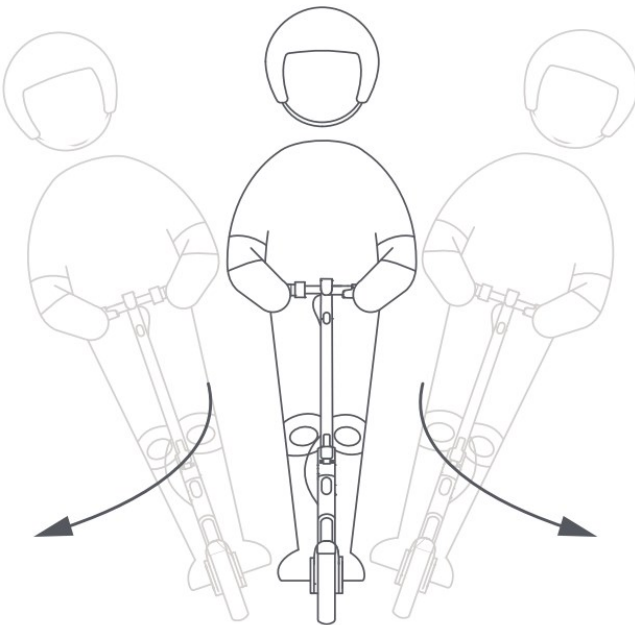
1. Before Riding



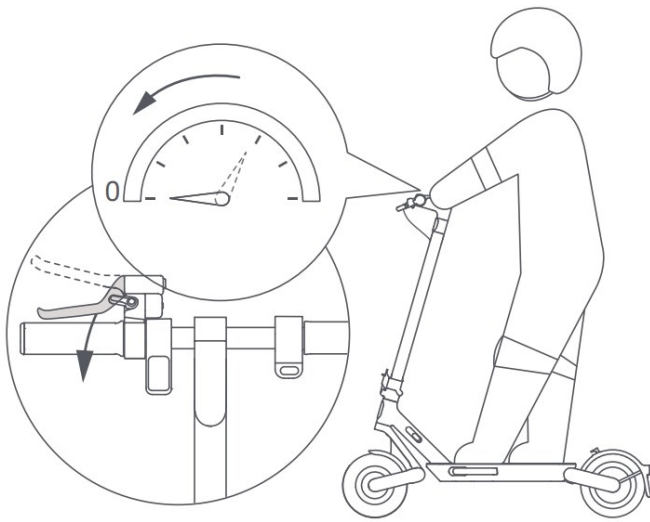
2. Starting & Acceleratin



3. Steering



4. Decelerating & Braking & Parking



Fold/Unfold & Carry



1. Make sure the scooter is turned off and not being charged before folding. Hold the stem, lift the quick release lever lock, and pull the quick release lever outward.
2. Lift the quick release lever lock again, and pull the quick release lever outwards to pop the bottom folding hook out. Then fold the stem.
3. Align the buckle with the hook and secure them together
4. Hold the stem with either one hand or both hands to carry
5. When unfolding the scooter, pull the buckle upwards to release it from the hook.
6. Hold up the stem in an upright position, and make sure the folding hook is attached to the stem. Lift the quick release lever lock as indicated by 1, and then push the quick release lever inward to the end as indicated by 2.

Inflate the Tire

1. Connect the pump to the extension nozzle
2. Remove the tire valve cap, and connect the extension nozzle and the valve securely together.
3. Inflate the tire
4. Remove the extension nozzle, and install the valve cap.

Illustrations of product, accessories, and user interface in the user manual are for reference purposes only. Actual product and functions may vary due to product enhancements. For further information, please go to www.mi.com For detailed e-manual, please go to www.mi.com/global/service/userguide

Documents / Resources

<p>MANUEL D'UTILISATION  </p> <p>XIAOMI TROTINETTE MISCOOT4ULTRAN</p> <p><small>Manuel d'utilisation pour le scooter électrique Xiaomi P2301, P2301 4 Ultra Electric Scooter, 4 Ultra Electric Scooter, Electric Scooter</small></p> <p><small>MI P2301 4 Ultra Electric Scooter, 4 Ultra Electric Scooter, Electric Scooter</small></p>	<p>xiaomi P2301 4 Ultra Electric Scooter [pdf] User Manual P2301, P2301 4 Ultra Electric Scooter, 4 Ultra Electric Scooter, Electric Scooter</p>
--	--

References

-  [Mi United States](#)
-  [Support - User Guide | Xiaomi Global](#)
-  [SAV Darty : Comment utiliser, entretenir et réparer son produit](#)

Manuals+