



WheelChair Carrier

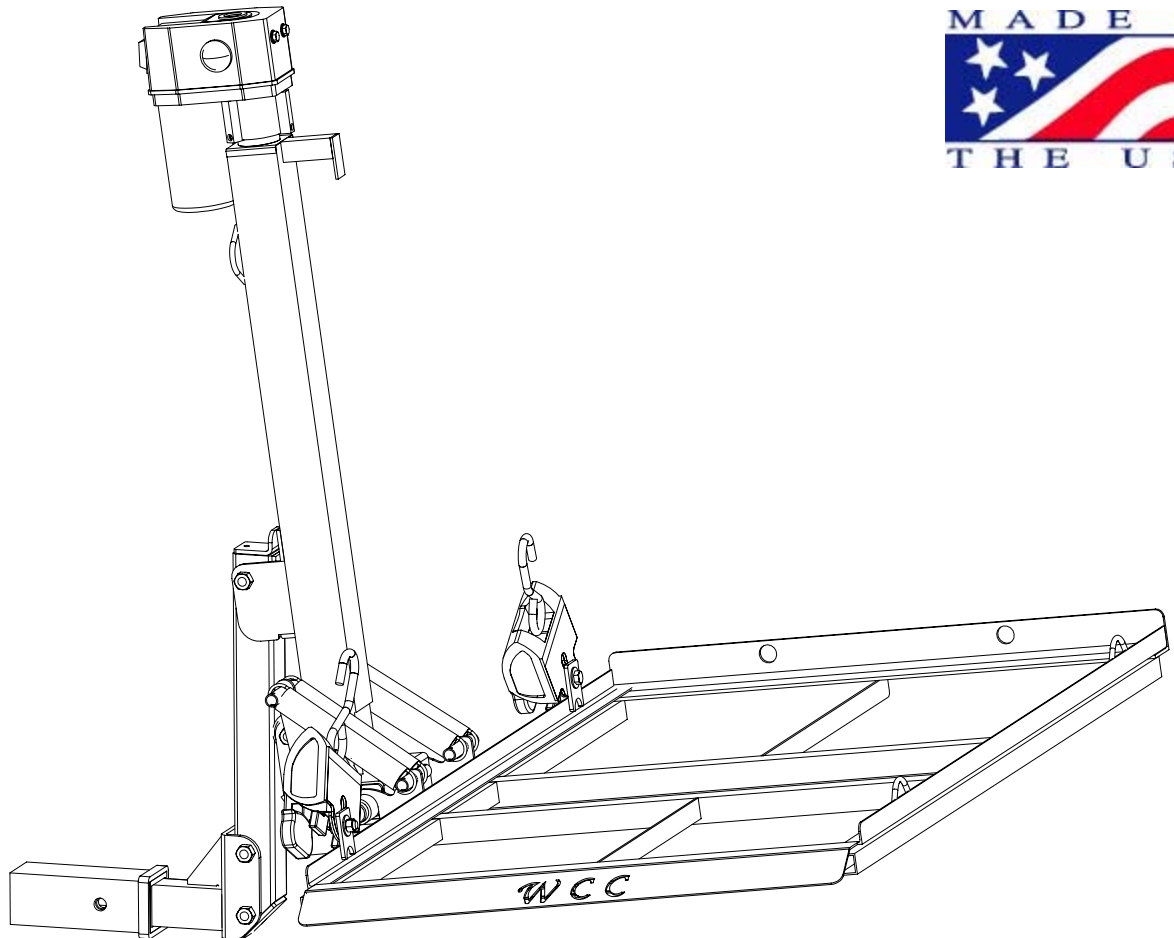
Taking You Where You Want To Go...

203 Matzinger Road
Toledo, OH 43612
Phone: 1-800-541-3213
Fax: (419) 478-4425
www.WheelChairCarrier.com
E-mail: admin@wheelchaircarrier.com

Lift 'N' Go [Model 210] Electric Carrier

For use with power chairs & scooters

Installation Guide & Owners Manual



CAUTION: Read and follow all installation instructions and operating instructions before the first use of this product.

Save this manual for future reference.

Revision (I) 07-07

Introduction

Congratulations on your new *WheelChair Carrier* product purchase! The Lift ‘N’ Go Model 210 Electric Carrier is one of the easiest ways to transport your power chair or scooter. This manual has been written to be used as an installation guide as well as an operation guide for the end user.

Before installing, be sure to have the proper hitch installed on your vehicle. Consult the Hitch Manufacturer for load ratings prior to operation of your lift. **Never** exceed the Hitch load rating set from the Hitch Manufacturer. The Warranty will be voided if the recommended tongue weight is exceeded. [Tongue weight: Weight of Lift + Weight of Scooter or Power Chair. See *product weights* below.]

Both installers and operators must read all of the available manuals thoroughly before attempting any installation, operation, or maintenance of the Lift ‘N’ Go Model 210 Electric Carrier.

If you have any questions or comments concerning the installation operation of this carrier, please contact your local dealer or Wheelchair Carrier for additional technical information.



Caution: Be sure that the wheelchair or scooter being transported meets the size and weight constraints set for this product.

WARNING
Never exceed the 350lb weight capacity of the carrier.

Unpacking the Carrier

Detailed below is the inventory of parts included with your carrier. If any parts are missing or if any shipping damage is noted, immediately contact your dealer or WheelChair Carrier if purchased direct. **DO NOT** attempt to install or use the lift with any missing or damaged parts.

The Model 210 Electric Carrier Box Contents:

- (1) Carrier Assembly
- (1) Motor
- (1) Hand Crank
- (1) Hitch Adapter Class II OR Class III [*Hardware to include 3 bolts 3 lock nuts and 1 spacer*]
- (1) Wire Harness
- (3) Ratchet Tie Down Straps—or-
- (2) Retractable Ratchets.
- - Wire Ties

Product Weights

Model 210 Weight:

Post & Platform—104 lbs.

Optional Swing Away—35 lbs.

Product Size

Platform: 28” x 48”

Hitch Face to Platform stowed position: 11”
(16” with Swing Away)

Installation Instructions



Important!!

Please refer to the Lift 'N' Go Model 210 diagrams while following instructions.

Note: A Class II [1-1/4"] or Class III [2"] hitch is needed in order to install the Model 210. Depending on your vehicle it may be necessary to install an upgraded suspension.

Mounting

Before securing the Hitch Adapter, be sure to position the adapter so that it meets the dimension range shown in Fig A.

Step 1. Install the Hitch Adapter [see Fig B]

- 1) Slide the Hitch Adapter into the hitch and align the hole that allows the Adapter to achieve maximum penetration.
- 2) Insert the Bolt into the Spacer, then through the Hitch, through the Hitch Adapter and tighten using the Lock Nut.
- 3) Make sure the Spacer is pushing the Hitch Adapter tight against the inside of the Hitch. This will ensure a solid connection.
- 4) Shown in Fig B is a Class 3 Adapter [2 inch square]. Attachment of the Class 2 Adapter [1-1/4 inch square] is performed the same way with different hardware.

If installing the Lift with a Swing Away option:
Install the Swing Away to the Hitch Adapter.
Then install the Tube Adapter to the Swing Away.

Fig A

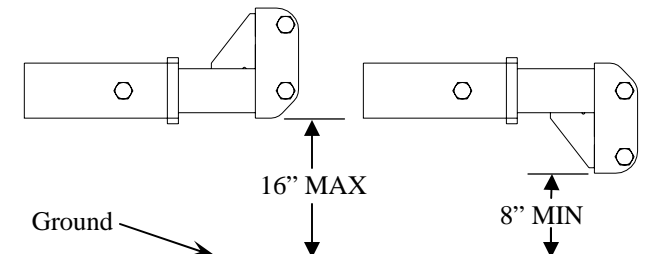
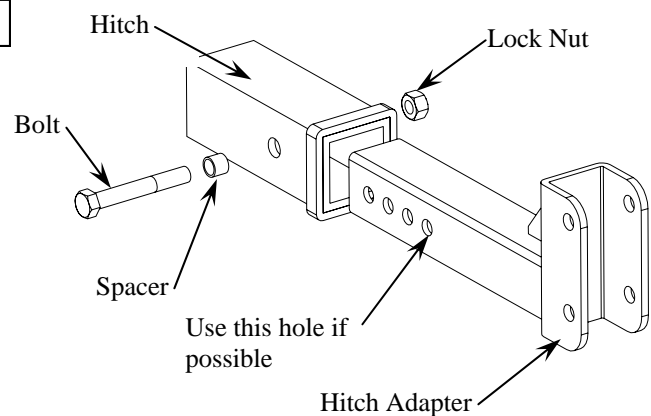


Fig B



Installation Instructions

Step 2. Install the Platform and Post to the Hitch Adapter [see Fig C]

1) Align Tube Adapter to the Hitch Adapter and attach using the (2) 1/2-13 x 3" Grade 5 Bolts and Lock Nuts.

Step 3. Install the Motor to the Post. [see Fig D]

1) Be sure the Motor is seated. When seated there should be approximately 1/4" of the round tube showing.
2) Tighten the other set screws.
[Do Not Over Tighten]

Ground wire location

See Fig E for location of the ground wire to motor.

Fig C

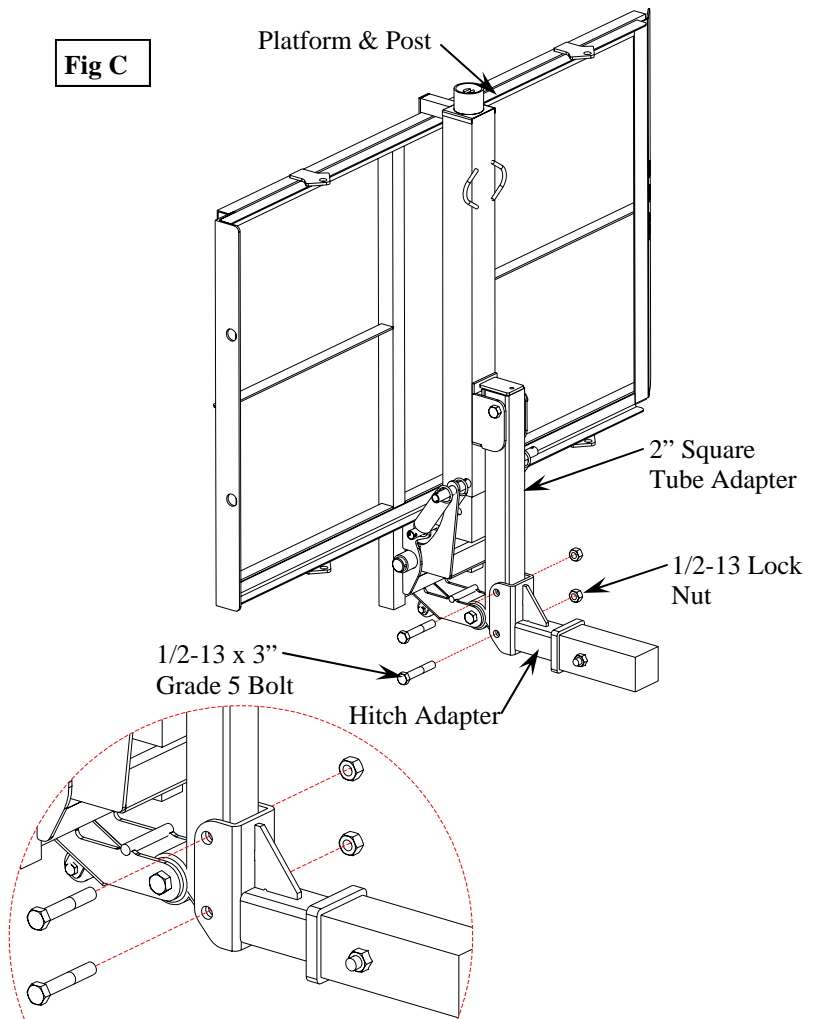


Fig D

Use the Hand Crank to align the drive on the motor with the driven shaft of the Post

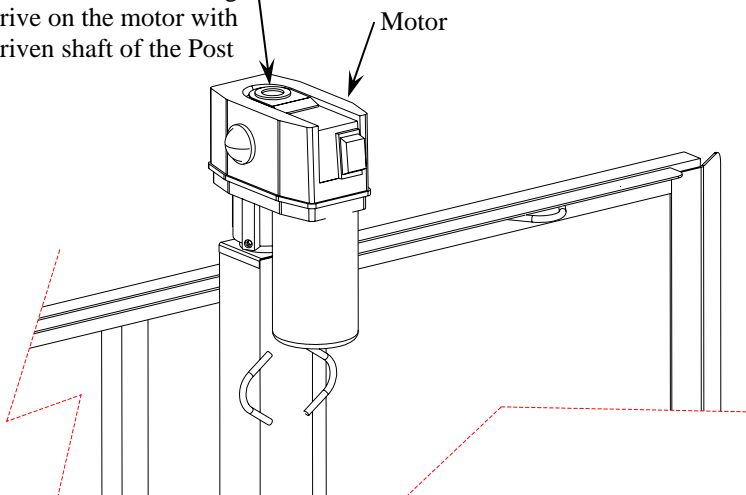
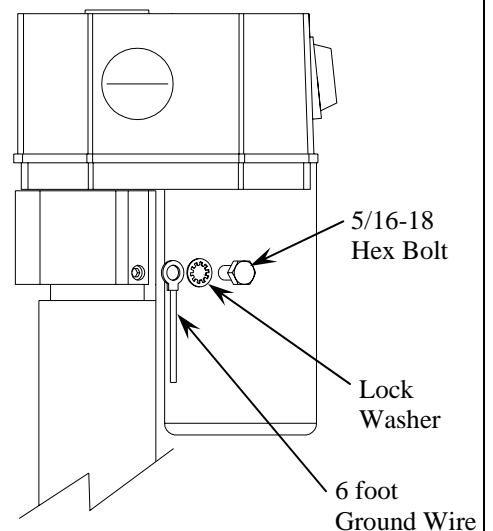


Fig E



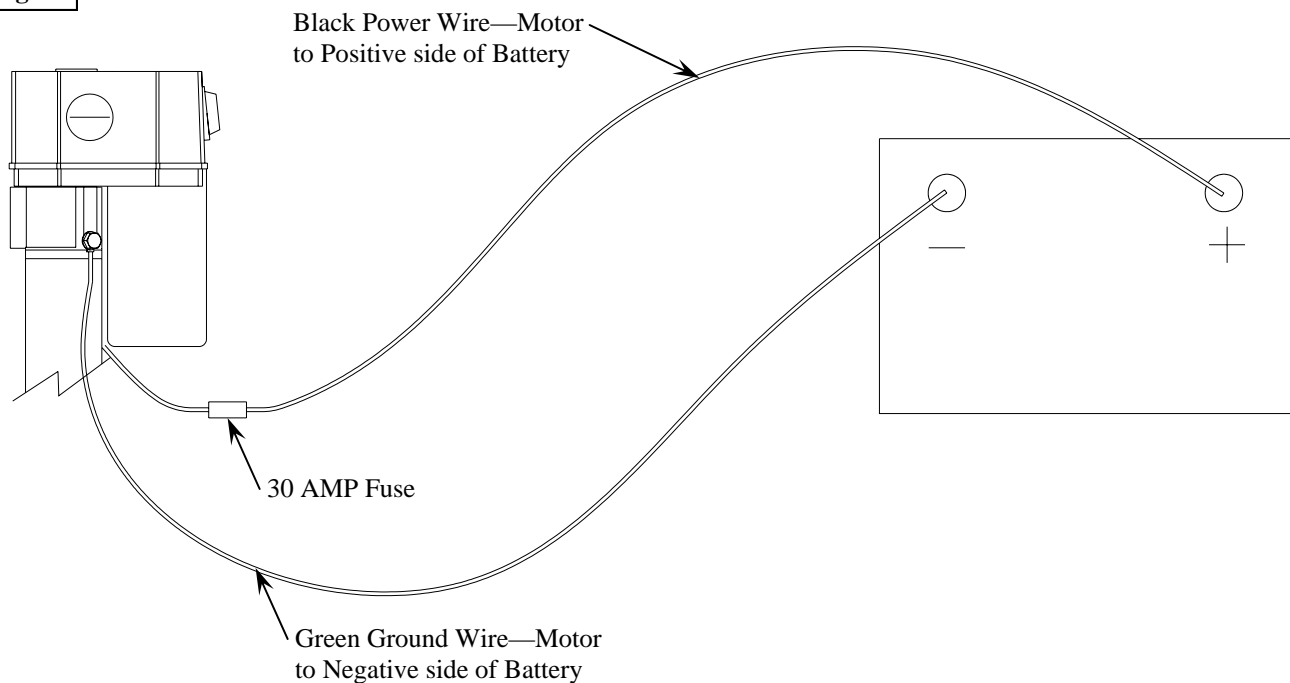
Installation Instructions

WARNING: Disconnect the battery before attempting the wire installation!

Step 6. Wire the Lift directly to the vehicle's battery. [see Fig F]. The motor on this lift has a 30 Amp Fuse in line of the power wire, therefore the motor **must** be connected directly to the battery.

- 1) Route the wire harness down through the engine compartment and to the rear of the vehicle. The wire harness consists of (2) 10 Ga. wires 23 feet in length.
- 2) **Avoid moving parts such as carburetor linkages, steering parts, fans, belts, and pulleys. Also avoid hot parts such as exhaust manifolds & pipes.** (Use tie straps to secure the wire.) Attention to detail will keep the wires safe from cuts and scrapes and from interfering with the vehicle operations.
- 3) Be sure that all connections are secure. Coil any unused length of wire and secure safely under the vehicle.
- 4) To help keep the terminals clean, be sure to cover them when not in use to avoid contamination.

Fig F



Operation Instructions

- To lower the Platform to the Transport position, press and hold the Rocker Switch down [see Fig G]. While staying clear of the platform continue holding the Switch down while the platform falls away from the post and transitions flat on the ground. [see Fig H,I, & J]
- Load the Power Chair or Scooter onto the Platform.
- Remove yourself and all loose objects from the platform and chair before raising the platform.

Stow Away Position

Fig G

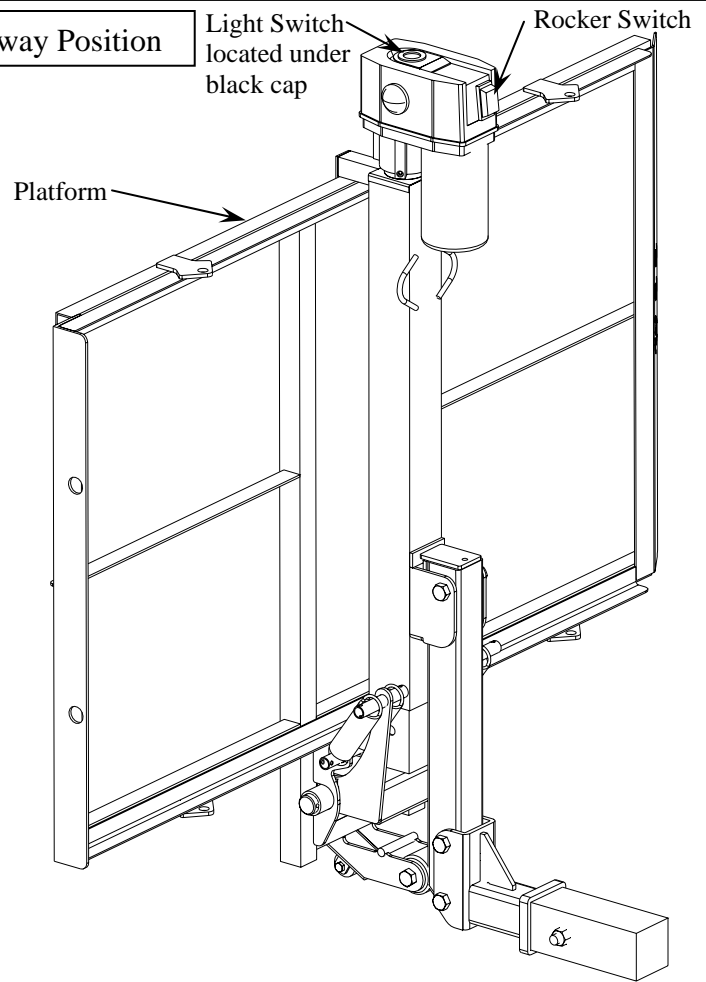


Fig H

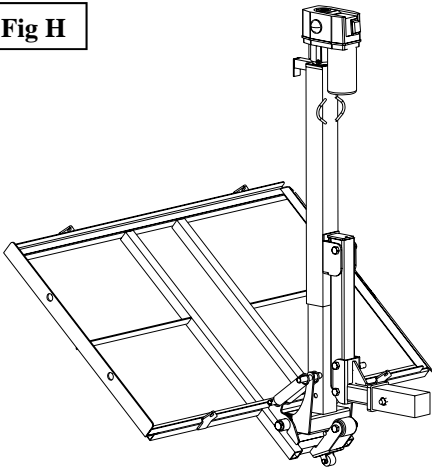


Fig I

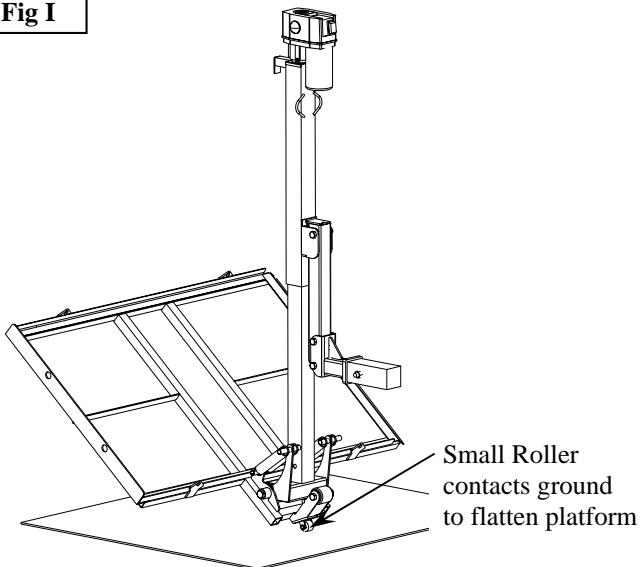
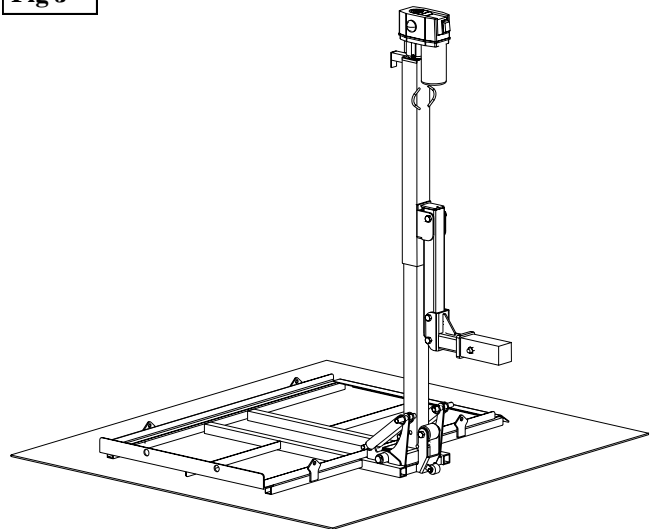
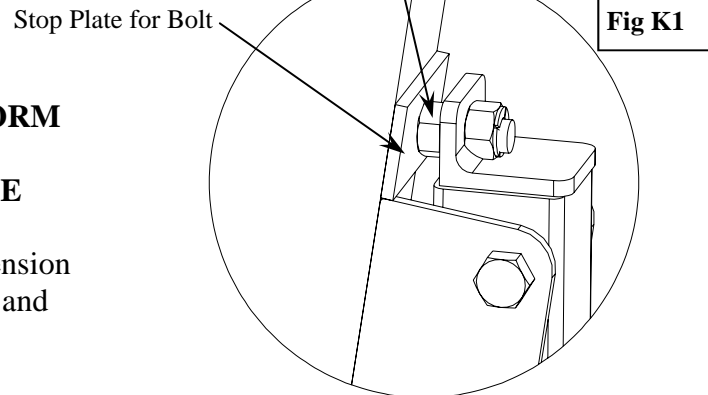
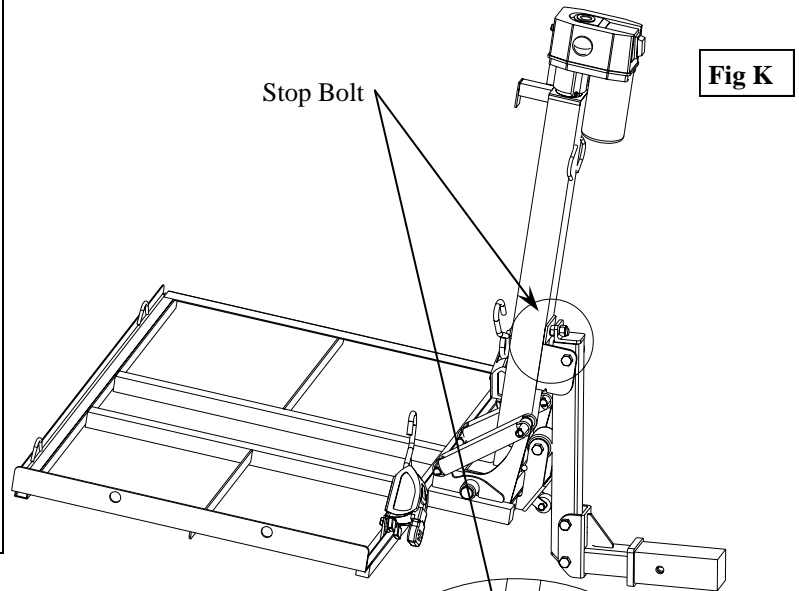


Fig J



Operation Instructions

- Load the Power Chair or Scooter onto the Platform.
- Raise the Platform approximately halfway up by pressing and holding the Rocker Switch upwards.
- Secure the cargo to the platform with the Ratchet Straps provided. *See Securing the Chair to the Carrier on pg8.*
- Raise the Platform up until it is tight against the stop bolt. [see Fig K] Stop bolt must always be touching its stop plate when in the transport position. [see Fig K1]



Transport Position [Shown in Fig K]

CAUTION: DO NOT LOWER THE PLATFORM WHILE IN THE TRANSPORT POSITION WITHOUT A MINIMUM OF 25 LBS ON THE PLATFORM!

If platform is lowered without weight on it, the tension of the springs will swing the platform up quickly and may hit the post assembly.

Remember to keep hands and feet away from moving parts during operation.

When the Motor reaches the end of its travel a built in torque limiter goes into operation with a clicking noise. This torque limiter permits the final drive gear to slip and thus protects the unit. **Prolonged operation of the torque limiter is NOT recommended.**

If an electrical failure should ever occur the crank handle may be inserted into the post and the power post can be raised or lowered manually.



WARNING Crank Handle: Do not push Rocker Switch with crank handle in place. This will cause serious injury.

Securing the Chair to the Carrier

RETRACTABLE RATCHET INSTRUCTION

To Hook to Cargo:

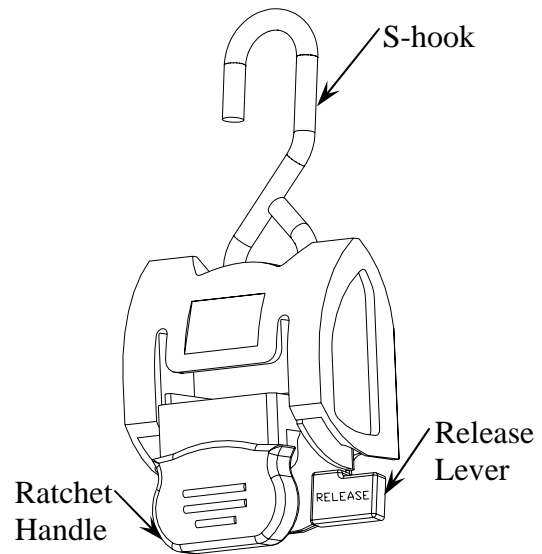
Simply extract web by pulling out on S-hook.
Fasten appropriate attachment point on cargo to avoid damage to cargo.

To Tighten:

Squeeze and lift the ratchet handle. Do not over tighten. To secure cargo, ratchet handle must be engaged.

To Release:

Depress the release lever. Unfasten hook from cargo attachment point and allow web to retract. *(Both sides of the retractor spool may be lubricated, as needed.)*



- 1.) To operate optional ratchet straps: insert loose end of strap into groove in roller part of ratchet buckle. Then ratchet it down using handle on buckle. To release ratchet strap: pull spring loaded lock in ratchet handle and open buckle until it is locked in open position. Strap will then come loose.
- 2.) Hook one strap to front of platform. Wrap strap around tiller post of the scooter (or any accessible part of the power wheelchair frame.) Then hook the other end of the strap to the front of platform. Tighten down strap securely.
- 3.) The second strap is hooked onto the first set of side loops. Hook one end of the strap into the loop, across the floorboard of the scooter (or around the front wheel posts of a power wheelchair), and then hook the other end into the opposite loop. Tighten the strap down.
- 4.) Hook one end of the third strap into the loop. Wrap the strap around the seat post of the scooter (or through and around the rear wheels of the power wheelchair), and hook the other end into the opposite loop. Tighten the strap down.



CAUTION: Do not over-tighten straps or damage to chair could result. Do not attempt to modify your carrier in any way. **This will void your warranty.**

Maintenance


Our carriers have been designed to be as trouble free as possible for the owner. As with any mechanical device however, maintenance should be performed regularly while owning and operating our carriers.

- WheelChair Carrier recommends that dealers schedule a preventative maintenance inspection at least once a year on the carrier frame and all moving parts of the carrier.
- Regularly check and tighten all hardware on the carrier.
- Regularly check for paint chips and touch up any bare metal with a quality gloss black enamel or lacquer to inhibit rust.

Safety

CAUTION: Do not operate our carriers without being satisfactorily instructed in the proper operation of carrier by the dealer or without reading operation manual thoroughly.

- Our wheelchair carriers have been designed and engineered for years of trouble free performance. Although with everyday use some parts may become loose or worn. Regularly inspect your carrier for any worn, loose, or damaged parts. If you find anything upon inspection, **DO NOT USE THE CARRIER!** Contact your local dealer or WheelChair Carrier for any repairs that need to be made. **Failure to act may cause severe injury!**
- Our wheelchair carrier should only be used for the loading and unloading of wheelchairs or scooters for which it is designed. **DO NOT** add or modify any part of the carrier system without first contacting the manufacturer of the carrier. Any modifications may void any warranties as well as compromise the structural integrity of the carrier.

 **WARNING** Avoid serious injury, or death, to yourself and others. Follow all instructions in this manual.

- Before loading scooter or power chair, the vehicle must be safely parked, on a flat level surface.
- Before and during transporting, scooter or power chair must be secured to the platform and the platform must be all the way up. Check all straps regularly.
- If the scooter or power chair is not on the platform, then the platform must be in the stow away position.
- Do not exceed the weight capacity of 350 lbs.
- Keep all objects and people clear from underneath the platform at all times.

LICENSE PLATE BRACKET (Optional)

Some states require the license plate to be visible at all times. When carrying a large scooter or power chair it is possible for the license plate to be covered. Be sure to know the laws governing license plates in your area.

Troubleshooting Guide

Problem:	Like Causes:	What to do:
Motor will not work –or– Motor works intermittently	Fuse is loose or blown Grounding issue or loose connection	Check the 30 amp fuse and replace if necessary, be sure the fuse is seated tight in the yellow fuse holder. Check the ground and power wires making sure they are securely attached to the vehicles battery. Check the wires connecting to the toggle switch in the motor housing. Also check the motor housing for any cracks or damage.
Motor works but does not lower the lift	The Drive Gear may be damaged Drive Gear may be disengaged.	Using the manual hand crank, turn the shaft on the post located under the plastic cap of the motor. This may allow the gears to re-align. Call dealer or manufacturer for a replacement gear. The gears can be inspected inside of the motor to determine if they are worn or damaged.
Lift is noisy	Actuator Post may need lubricated	Use a lubricant and spray inside of post, operate and repeat.



3 Year Transferable Limited Warranty

Every effort has been made to insure high quality in material and workmanship of our products. Manufacturer warrants all products to be free of defects in material and/or workmanship for three (3) years from date of original purchase.

EXCEPTIONS: 1 year warranty on all Electrical components including motor and actuator. All custom orders have a 90~day warranty.

CARRIERS: All carriers are warranted to be free of defects in material and/or workmanship for three (3) years from date of original purchase when used in accordance with manufacturer installation and operating instructions. This warranty does not cover damage due to abuse, misuse, accident, or use of unauthorized attachments or modifications. Protective finish coating on carriers is not guaranteed in as much as the manufacturer is not responsible for the use (abuse or natural wear and tear) of the product. The manufacturer and/or selling agents of carriers will not be responsible in any way for damage to, or loss of, item(s) being carried or falling from carriers or damages said item(s) may cause on or off carriers. All shipping charges for parts under warranty must be prepaid by the customer.

TRANSPORT COVERS: Transport covers are guaranteed free of defects in material or workmanship for one (1) year from time of purchase. Covers are not guaranteed against rips, holes, or damage due to improper installation, abuse, misuse, alteration, or environmental factors beyond our control.

RETURN POLICY

All returns must be made within 30 days from the date of purchase unless due to defect. Written authorization **MUST** be obtained from *WheelChair Carrier, Inc.* prior to the return of any merchandise for any reason, and all transportation costs must be prepaid. **NO RETURNS** on custom orders. Authorized returns for credit only are subject to a 25% restocking charge, plus any cost incurred in restoring the merchandise to a resalable condition. Freight charges cannot be credited.

WHEELCHAIR CARRIER, INC.

203 MATZINGER ROAD

TOLEDO, OH 43612

PHONE: (419) 478-4423 or call toll free at 1-800-541-3213

FAX: (419) 478-4425

www.WheelChairCarrier.com