

# 36" BISTRO SOLID TOP FIRE TABLE



Scan this QR code for assembly video

**! IMPORTANT**  
SAVE THESE  
INSTRUCTIONS

**! WARNING**

For outdoor use only. DO NOT  
use for cooking. DO NOT use  
under any overhead enclosure.

**! WARNING**

Read the installation, operation, and maintenance instructions thoroughly before installing or servicing this equipment.

Improper Installation, adjustment, alteration, service or maintenance can cause injury or property damage.

Save these instructions for future reference. If you are assembling this unit for someone else, give this manual to him or her to read and save for future reference.

## TABLE OF CONTENT

Important Safety Information.....	1
Important Safety Information About Propane (LP) Gas.....	3
Part List .....	7
Assembly Instruction.....	8
Lighting Instruction.....	13
Care and Clearing .....	14
Gas Component Checks .....	15
Troubleshooting.....	17
LIMITED WARRANTY.....	20

## Important Safety Information

1. Do not use this product indoors or during windy conditions.
2. This product should be used on a flat and stable surface to avoid overturning.
3. This product produces high temperatures that will create hot surfaces. Appropriate care should be used to avoid physical contact with these surfaces.

**WARNING** Failure to follow the warning and cautions in this manual may result in serious bodily injury or death, or in a fire or an explosion causing damage to property.

**IMPORTANT NOTICE** Read and understand all warnings and precautions prior to assembly and use of your gas fire table. Improper installation, adjustment, alteration, service or maintenance can cause injury or property damage.

- The use and installation of this product must conform to local codes. In the absence of local codes, use the National Fuel Gas Code, ANSI Z223.1/NFPA547. Reference to Natural Gas and Propane Installation code CSA B149.1 or Propane Storage and Handling code B149.
- Before each use of this gas appliance, open the door and/or the LP (Liquid Propane) Tank Drawer and inspect the hose. If there is evidence of excessive abrasion or wear or if the hose is damaged, the hose assembly must be replaced prior to the appliance being put into operation. Use only the replacement hose assembly specified in this manual. Make sure to leak test.
- The appliance and its appliance main gas valve must be disconnected from the gas supply piping system during any pressure testing of that system at test pressures in excess of 1/2 psi (3.5kPa). The appliance must be isolated from the gas supply piping system by closing its equipment shutoff valve during any pressure testing of the gas supply system at test pressure equal to or less than 1/2 psi (3.5kPa).

## Important Safety Information

- The appliance area must be kept clear and free from combustible materials, gasoline and other flammable vapors and liquids.
- Do not use this appliance if any part has been under water. Immediately call a qualified service technician to inspect the appliance and to replace any part of the control system and any gas control which has been under water.
- Keep these instructions for future reference. If you are assembling this unit for someone else, give this manual to him or her to read and keep for future reference.
- This gas fire table must be used ONLY outdoors in a well-ventilated space and shall NOT be used inside a building, garage, or any other enclosed area.
- DO NOT use this outdoor gas fire table for indoor heating. TOXIC carbon monoxide fumes can accumulate and cause asphyxiation.
- NEVER LEAVE this gas fire table unattended when in use.
- Children and adults should be alerted to the hazards of high surface temperatures and kept at a safe distance to avoid burns or clothing ignition.
- Young children should be carefully supervised when they are anywhere near the appliance.
- Clothing or other flammable material should not be hung from the appliance or placed on or near the appliance.
- Any screen or guard removed for servicing an appliance must be replaced prior to operating the appliance.
- The appliance should be inspected before use and at least annually by a professional service person. More frequent cleaning may be required as necessary. It is imperative that the control compartments, burners and circulating air passageways of the appliance be kept clean.
- This outdoor gas appliance is not intended to be installed in or on recreational vehicles and/or boats.
- Do NOT burn solid fuels in this gas fireplace.

## **Important Safety Information About Propane (LP) Gas**

### **LP Gas**

LP gas is flammable and hazardous if handled improperly. Become aware of the characteristics before using any LP gas product.

### **Propane Characteristics:**

- Flammable, explosive under pressure, heavier than air and settles in pools in low areas.
- In its natural state, propane has no odor. For your safety, an odorant has been added.
- Contact with propane could burn your skin.
- Propane is extremely flammable and hazardous if handled improperly.

### **LP GAS WARNINGS:**

- Cylinders must be stored outdoors in a well-ventilated area out of reach of children.
- Disconnected cylinders must have threaded valve plugs tightly installed and must not be stored in a building, garage or any other enclosed area.
- Never use a propane cylinder with a damaged body, valve, collar or footing.
- Dented or rusted propane cylinders may be hazardous and should be checked by your propane gas supplier.
- Be sure to use only one 20 lb (9.1 kg) LP gas cylinder with a Type 1 valve with this appliance as required by the American National Standards Institute (ANSI) and the Canadian Standards Steering Committee.
- Only tanks marked "propane" may be used.

## Important Safety Information About Propane (LP) Gas

- The LP gas supply tank must be constructed and marked in accordance with the Specifications for LP gas LP gas tanks of the U.S. Department of Transportation (DOT) or the National Standard of Canada, CAN/CSA-B339, LP gas tanks, Spheres and Tubes for the Transportation of Dangerous Goods; and Commission.
- LP gas tank must be arranged for vapor withdrawal.
- The LP gas tank must have a listed overfilling prevention device (OPD) and a QCCI or Type I (CGA810) LP gas tank connection.
- The LP gas tank must have a tank collar to protect the tank valve.
- LP gas cylinder must contain a shut-off-valve as specified in the Standard for Compressed Gas Cylinder Valve Outlet and Inlet Connection, ANSI/CGA-V-1-1977, CSA B96.
- Never use an LP gas tank with a damaged body, valve, collar, or footing. Dented or rusted LP gas tanks may be hazardous and should be checked by your LP gas supplier prior to use.
- The LP gas tank should not be dropped or handled roughly.
- Tanks must be stored outdoors out of the reach of children. Do NOT store in a building, garage, or any other enclosed area.
- Never store your LP gas tank where temperatures can reach over 125°F.
- Do not store the LP gas cylinder in direct sunlight or near a source of heat or combustion.
- Never keep a filled LP gas tank in a hot car or car trunk. Heat will cause the gas pressure to increase, which may open the relief valve and allow gas to escape.
- Place dust cap on valve outlet whenever the LP gas tank is not in use. Only install the type of dust cap on the LP gas tank valve outlet that is provided with the LP gas tank valve. Other types of caps or plugs may result in leakage of propane.
  - a. Do not store a spare LP gas cylinder under or near this appliance.
  - b. Never fill the LP gas cylinder beyond 80% full.

## **Important Safety Information About Propane (LP) Gas**

c. If the information in (a) and (b) is not followed exactly, a fire causing death or serious injury may occur.

- LP gas cylinders should be filled only by a certified LP gas dealer.
- The pressure regulator is set for 11 inches of water column (pressure).
- The maximum inlet gas pressure for this outdoor fire table is 14 inches of water column pressure.
- Never attempt to attach this appliance to the self-contained LP gas system of a camper trailer, motor home or house.
- Always use the pressure regulator and hose assembly provided with the appliance to connect to a LP gas cylinder. Never connect to an unregulated LP gas supply. For technical support contact.
- Hand turn the manual gas control valve. Never use tools. If the valve will not turn by hand, do not try to repair it. Call a Certified Gas

### **Connecting your gas cylinder:**

Before connection, be sure that there is no debris caught in the head of the gas cylinder, head of the regulator valve or in the head of the burner and burner ports. Connect regulator valve and hand-tighten firmly. Disconnect the propane cylinder from the regulator valve when the fire table is not in use. DO NOT obstruct the flow of combustion air and ventilation air to the burner.

(i) Children and young adults should be alerted to the hazards of high surface temperatures and should be supervised by adults.

(ii) Young children should be carefully supervised when they are in the area of the appliance.

(iii) Clothing or other flammable materials should not be hung from the appliance, or placed on top of the burner.

(iv) Any guard or other protective device removed for servicing the appliance shall be replaced.

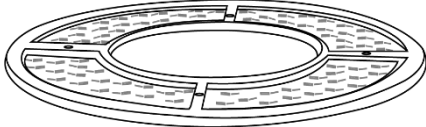
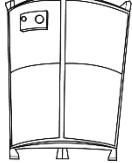
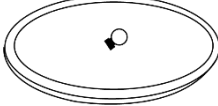





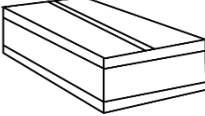
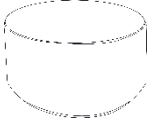
(v) Installation and Repairs should be done by a qualified service person. Please keep away from Burners when lit to avoid getting

## **Important Safety Information About Propane (LP) Gas**

burns while Burner is in operation. Keep Burner clean at all times. It is advisable to have Firepit inspected annually by a qualified person.



## Part List

Parts list	Parts picture	Description	Qty
<b>A</b>		Tabletop	1
<b>B</b>		Base	1
<b>C</b>		Center tray	1
<b>D</b>	 (M8*35)	Bolt	4
<b>E</b>		Flat washer	4
<b>F</b>		Lock washer	4
<b>G</b>		Nut (14mm)	4
<b>H</b>		Nut cap	4
<b>I</b>		Fire Glass	1
<b>J</b>		Protective Cover	1

**Note: AA battery is required but not included.**

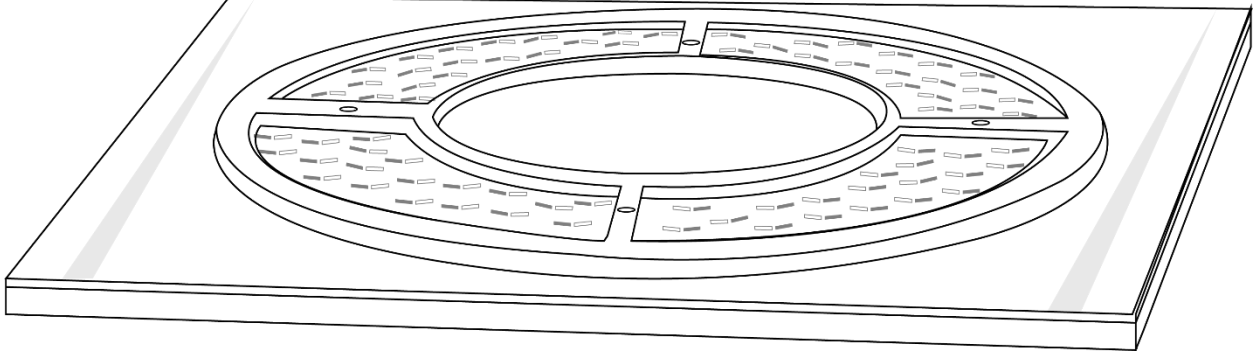
## Assembly Instruction

1. Please read these instructions carefully before assembly
  2. Aluminum is soft metal and over tightening may strip thread or break the parts.
  3. DO NOT use power tools.
- Scan the QR code on the right for Video Instruction

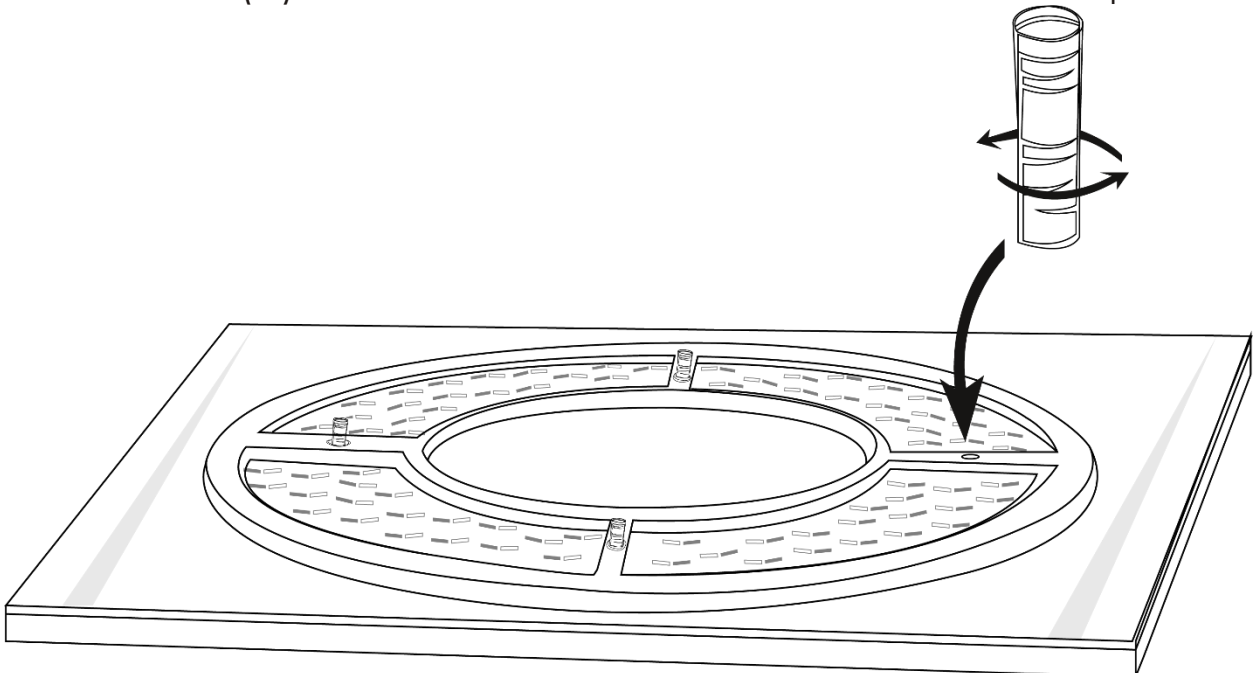


### Assembly steps:

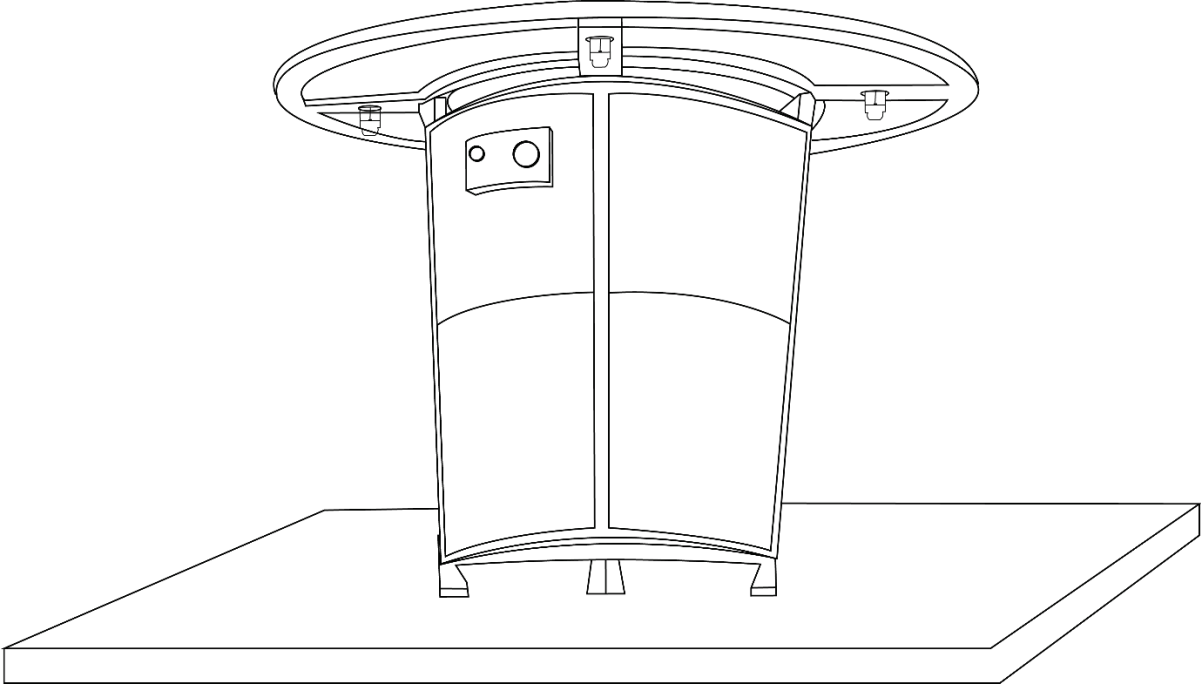
1. Lay tabletop on a flat platform with surface facing down.



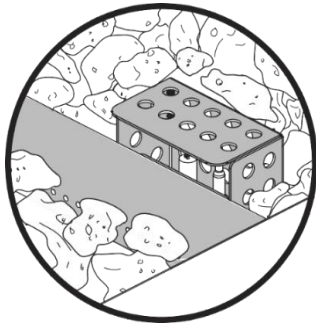
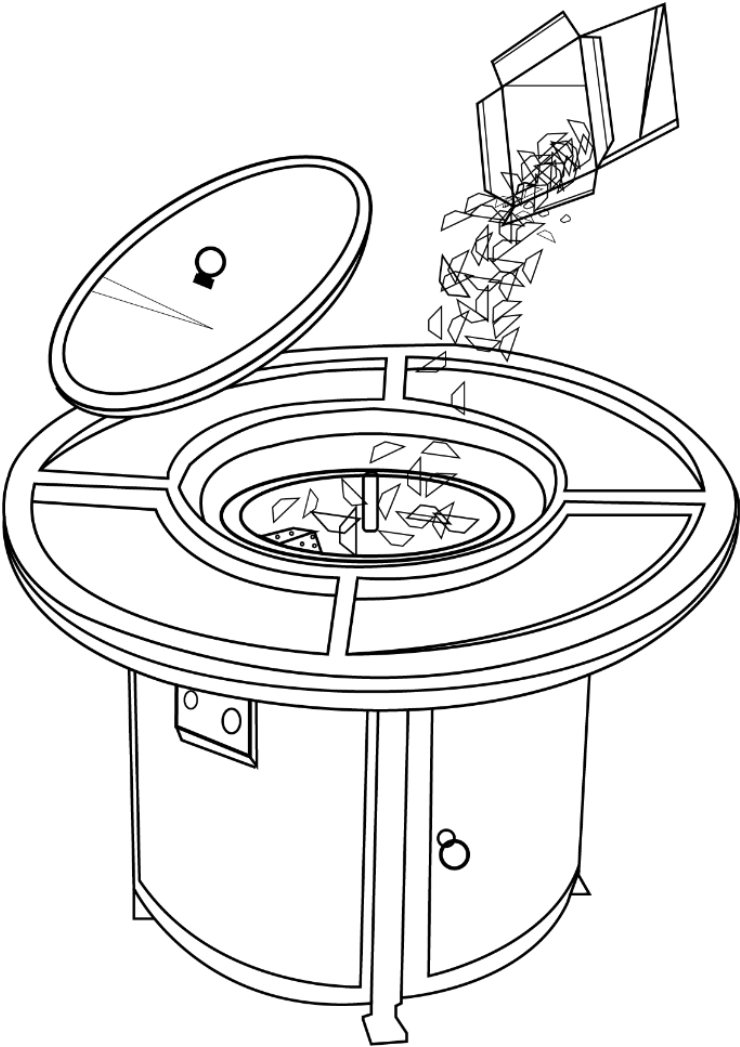
2. Install 4 bolts (D) into the holes on the backside of the tabletop.



3. Attach the base (B) onto the tabletop (A) with bolts (D), aligning the bolt(E) to the four holes at the top of the base (B). Put on flat washers (E), lock washers (F), Nuts (G) and nut caps (H). Once all the hardware has been installed, use a wrench to tighten all the nuts. **DO NOT OVERTIGHTEN.**

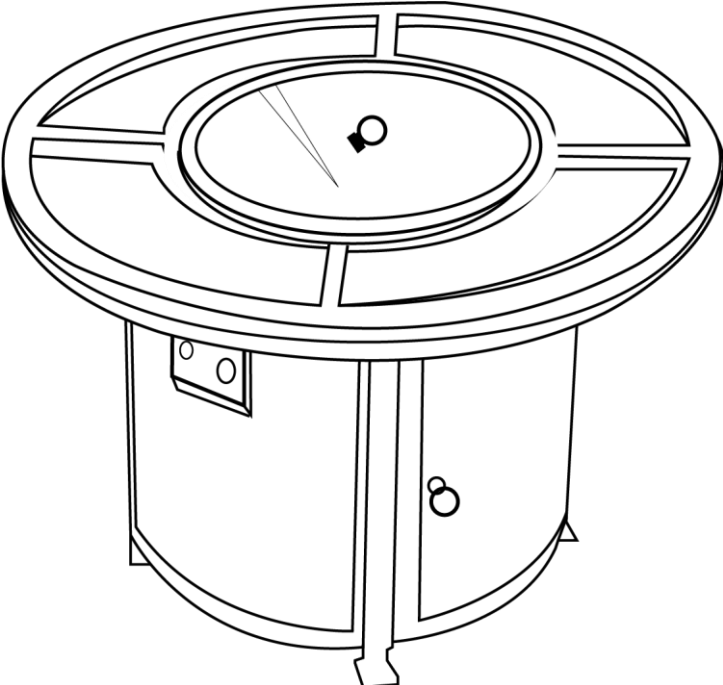


4. Pour fire glass into the fire bowl/burner. Filter out shattered small glass pieces when pouring as they could block the burner or pop out with the pressure from the flame. Do not to cover the ignitor cage on the burner.

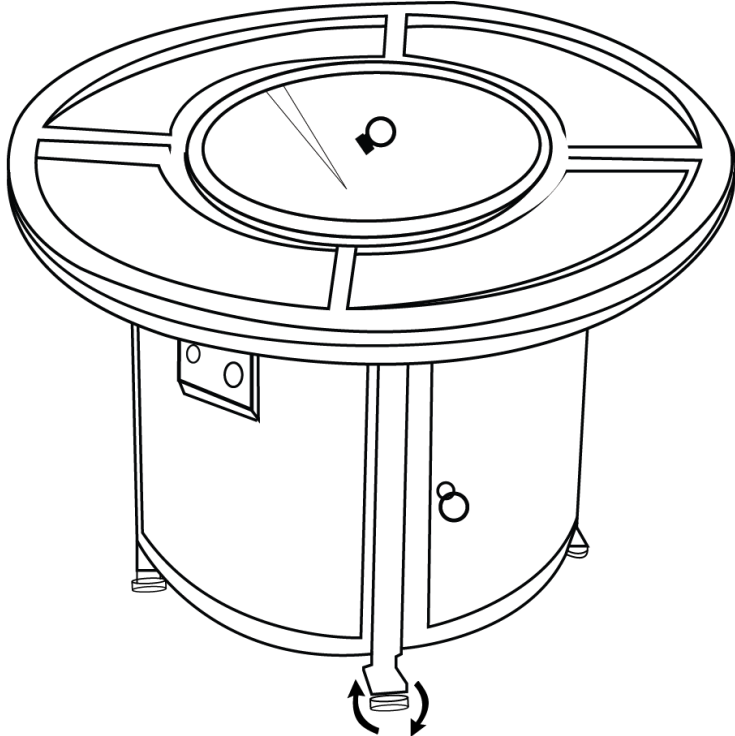


Ignitor Cage

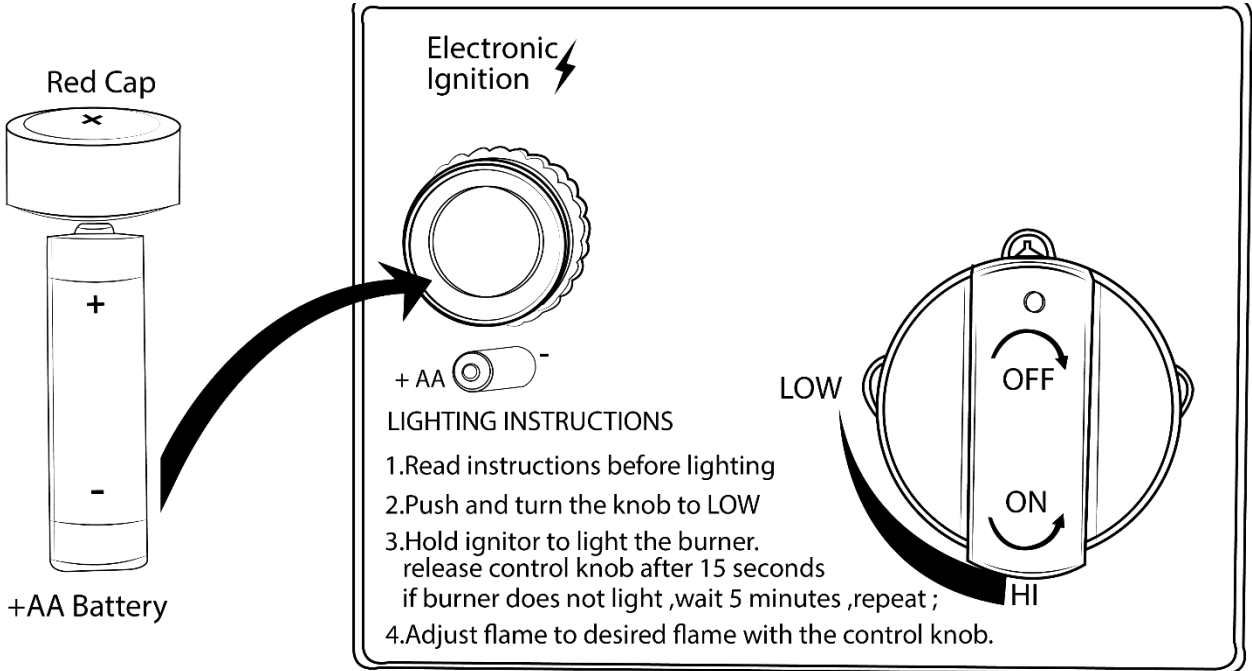
5. Cover the burner with the center tray (C).



6. Use the adjustable feet at the bottom of each foot to level the table.



7. Unscrew the red ignitor cap on the control panel. Install an AA battery (not included) inside. Screw back on the red ignitor cap.



**Warning: please do not using acid or alkaline washing liquid to clean the product.**

## Lighting Instruction

Read and understand all operating instructions before lighting and ensure that all protective film has been removed from stainless steel burner prior to lighting.

1. Open the battery holder (Red ignition button) and insert one “AA” battery.
2. Connect propane (LP) cylinder (see previous pages).
3. Slowly open the valve on LP gas cylinder.
4. Push burner control knob in from the “OFF” position and turn a quarter of a turn counterclockwise keeping it pushed in. (You should hear gas flowing)
5. Push the ignitor button to create sparks and once the burner lights, release the ignitor button (Not the control knob).
6. Keep Burner Control Knob pressed in for 15-30 seconds after ignition to allow the thermocouple (This allows the flame to keep burning) to warm up.
7. If the burner does not light within 30 seconds of pushing the ignitor button, release the ignitor and turn the control knob to the “OFF” position at the source, wait 5 minutes making sure the gas has cleared and repeat lighting procedure. (Note: If it still does not light please visit our troubleshooting guide pg. 13)
8. After lighting, adjust the Burner Control Knob clockwise or counterclockwise to high or low setting and release.
9. Flame height should be no higher than 14 inches tall.
10. Adjust the flame to the desired height with the control knob.

### ATTENTION

**REMOVE CENTER LID FROM TABLE BEFORE LIGHTING; DO NOT PLACE LID ON TABLE WHEN FIRE IS ACTIVE OR WHEN ROCKS ARE STILL HOT!!!**

## Care and Clearing

To enjoy the utmost performance from your fire pit, make sure you perform the following activities on a regular basis:

1. Use warm soapy water for cleaning. Never use flammable or corrosive cleaning agents.
2. While cleaning the fire pit, always make sure to keep the area around the burner dry. DO NOT submerge the control valve assembly. If the gas control is submerged in water, DO NOT use it. It must be replaced.

3. Air flow must be unobstructed. Keep controls, burner, and circulating air passageways clean. Signs of possible blockage include:

- (1). Gas odor with extreme yellow tipping of flame.

- (2). Fire pit does NOT reach the desired temperature.

- (3). Fire pit flame is excessively uneven.

- (4). Fire pit makes popping noises.

- (5). Spiders and insects can nest in burner or orifice. This dangerous condition can damage fire pit and render it useless. Clean burner holes by using a heavy-duty pipe clearer. Compressed air may help clear away small particles.

4. Carbon deposits may create a fire hazard. Clean burner with warm soapy water if any carbon deposits develop.

NOTE: Always allow fire pit to cool COMPLETELY before attempting service or maintenance.



## Gas Component Checks

If the burner will not light or stay lit, please perform the following checks.

1. Make sure the electrode wire is correctly connected.

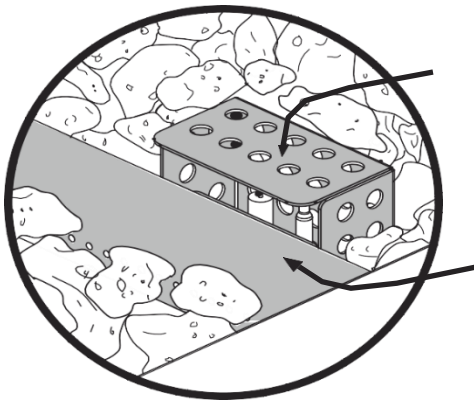
Both electrode wires must be fully inserted into the ignitor box.

2. Make sure that the ignitor box is unobstructed.

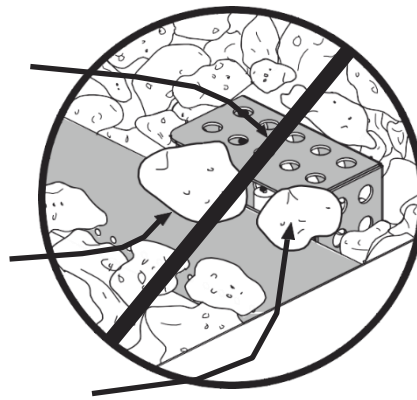
Clear any debris on top of the ignitor box and make sure there is no debris

between the ignitor pin, thermocouple and the burner tube.

**Correct**



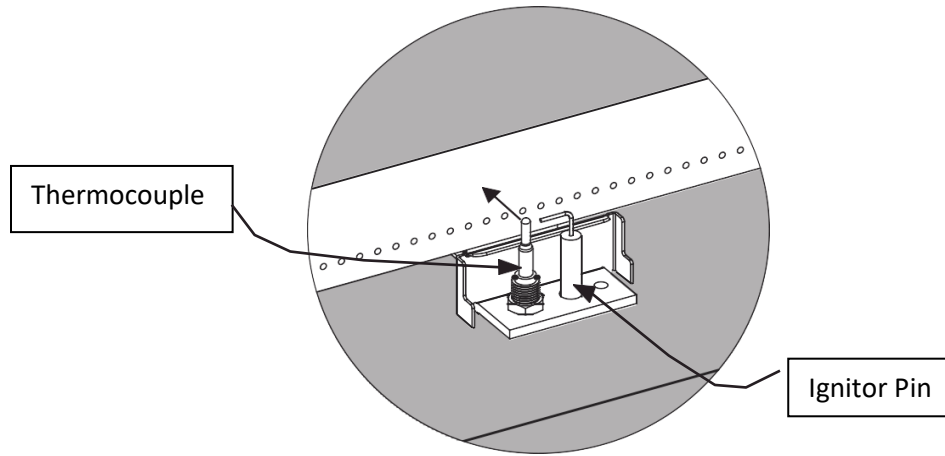
**Incorrect**



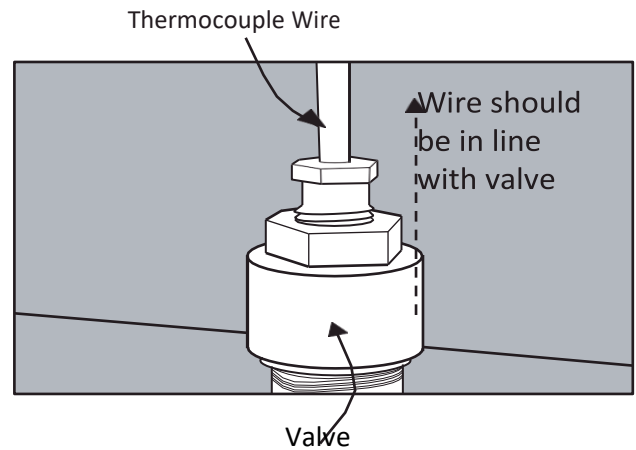
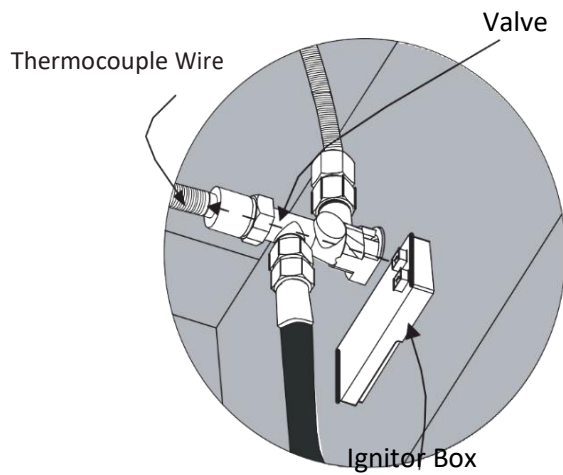
3. Make sure that the ignitor pin and thermocouple are correctly positioned.

- The ignitor pin should be pointed straight to the thermocouple.
- The thermocouple should be positioned 5mm away from the burner.

## Gas Component Checks



4. Make sure that the thermocouple wire is correctly positioned. The thermocouple wire should be in line with the valve.



## Troubleshooting

### **Problem: Burner will not light using ignitor**

#### **Possible Cause 1: Electrode and burners are wet.**

-Wipe dry with cloth.

#### **Possible Cause 2: Ignitor battery is dead or backwards.**

-Check that the AA battery is inserted correctly in the ignitor (see page 10) or replace the battery.

#### **Possible Cause 3: Ignitor Pin cracked or broken - sparks at crack.**

-Call Customer Service at 1-800-206-8961 for technical support.

#### **Possible Cause 4: Wire loose or disconnected.**

-Reference step 1, reconnect wire. Call Customer Service at 1-800-206-8961

#### **Possible Cause 5: Wire is shorting (sparking) between ignitor and electrode.**

-Call Customer Service at 1-800-206-8961 for support.

#### **Possible Cause 6: Ignitor Pin not pointing at thermocouple.**

-Turn electrode to point at the thermocouple.

#### **Possible Cause 7: Bad Ignitor.**

-Call Customer Service at 1-800-206-8961 for support

### **Problem: Burner will not light with match light either**

#### **Possible Cause 1: No Gas Flow.**

-Check if the LP gas tank is empty. If empty, replace and refill. If the propane tank is not empty, refer to "Problem: Sudden drop in gas flow" on the following page.

## Troubleshooting

### **Possible Cause 2: Coupling nut and regulator not fully connected.**

-Turn the coupling nut about one half to three fourths a turn, until you feel a solid stop. Do not use tools, tighten by hand only.

### **Possible Cause 3: Obstruction of gas flow.**

- Check for bent or kinked hose.

### **Possible Cause 4: Spider webs or insect nest in the orifice area.**

- Clean the orifice area out.

### **Possible Cause 5: Burner ports clogged or blocked.**

-Reference "Problem: Irregular flame pattern" on the following page. Clean the burner ports as described there.

### **Problem: The Fire Table emits a lot of black smoke when in use**

#### **Possible Cause 1: Hose from gas fireplace is pinched.**

-Make sure the hose is not pinched between the fire table and the source of the gas.

#### **Possible Cause 2: Flame is being obstructed at burner ports.**

-Make sure that the gas ports on the burner are free of any fireglass so that the flame can flow naturally.

### **Problem: Sudden drop in gas flow, or a reduced flame height**

#### **Possible Cause 1: Out of gas.**

-Replace or refill LP gas tank.

#### **Possible Cause 2: Excess flow safety device may have been activated.**

## Troubleshooting

-Turn control knob to "OFF", wait 30 seconds and lite outdoor firepit.

If the control knob and LP gas tank valve are off then disconnect regulator. Turn burner control knob to "HIGH". Wait 1 minute.

Reconnect regulator and perform a leak check at tank connection.

Turn LP gas tank valve on slowly, wait 30 seconds and then light outdoor fire table.

## LIMITED WARRANTY

The manufacturer warrants this Firepit and accessories to be free from defects in parts under normal use and service for a period of 1 year from the date of purchase, but does NOT include normal wear and tear, exposure to water, freezing temperatures, oils, fluids, or chemicals, OR use in a commercial environment where the model is not designated as a commercial model. In the event of such defects, at the manufacturer's sole discretion, products under warranty will be repaired and/or replaced at no charge to the customer. Returns sent back to the manufacturer must be sent via prepaid freight in the original retail packaging.

### **Burner**

Burner, cast aluminum & steel fire pit bowls, all mechanical parts and fittings to control panel and burner assembly, and all aluminum fire pit tops that are not cast aluminum are warranted for a period of one (1) year from original date of purchase, against defects in material and or workmanship. Rust is not covered.

### **Frames**

Frames are warranted to be free from defects in materials and workmanship for a period of two (2) years. Damage to frames or welds due to improper assembly or exposure to water and sub-freezing temperatures, is not covered. Breakage that is a result of product being dropped, acts of God, acts of war, etc. are not covered.

### **Finish**

The finish is warranted against peeling, cracking, or blistering for a period of one (1) year provided the product has not been scratched or abraded. Scratches and chips resulting from normal wear and tear are not covered. Fading resulting from exposure to elements is not covered. Stains as a result of chemical spills and certain food items are not covered.

## LIMITED WARRANTY

### **Table Tops**

All table tops are warranted for a period of one (1) year from original date of purchase, against defects in material and or workmanship. It does not cover rip, tear and normal wear and tear of the product.

### **Covers**

Shield outdoor Covers are warranted for a period of one (1) year from original date of purchase, against defects in material and or workmanship. We do not warranty and are not responsible for damages caused by misuse, abuse, accidents, and the natural breakdown of the product over time, or problems that may be reasonably expected with normal wear or failure to follow care instructions.