

RI-CTS816 Series



Single Phase Split Core Current Transformers

- From 2000A to 5000A Primary currents
- 5A or 1A Secondary output
- 186mm width
- 81 x 160.5mm aperture

80 x 160.5mm

Product Description

The RI-CTS816 Series forms part of a large family of split core single phase moulded case current transformers from Rayleigh Instruments.

These transformers are suitable for monitoring current flow in commercial, industrial or utility applications. They are designed to connect any standard metering or relay product requiring a 5A or 1A output and are available with Primary current input ranges from 2000A to 5000A.

The RI-CTS816 Series have been designed for ease of installation into existing plants where removal of busbars or cable lugs is impractical. They also have clear markings moulded into the case to indicate the correct direction of primary current flow to minimise installation errors.

Parameters

Primary Current A	Burden			Order Code
	Class 0.5 VA	Class 1 VA	Class 3 VA	
2000	15	20	25	2000
2500	15	20	25	2500
3000	20	25	30	3000
4000	20	25	30	4000
5000	20	25	30	5000

Available with 5A or 1A Secondary

Rated Standard

Rated Primary Current (I_{pr})	2000...5000A
Frequency Range (f_R)	47...63Hz
Rated continuous over current (I_{cth})	1.2 x rated current
Rated short time thermal current (I_{th})	$\leq 60 \times I_{pr}$
Rated dynamic current (I_{dyn})	2.5 I_{th}
Instrument security factor (FS)	≤ 5
Rated Secondary output	5A or 1A
Accuracy class	Class 1 to IEC/EN61869-2

Insulation

Insulation type	Dry transformer, air insulation
Highest voltage (U_m)	0.72kV r.m.s.
Rated insulation level	3kV r.m.s. 50Hz/1 min

Environmental Conditions

Reference temperature	23°C \pm 1°C
Nominal temperature range	-10°C...50°C
Limit temperature range for storage	-40°C...85°C
Relative humidity	$\leq 85\%$ non condensing
Altitude	≤ 1000 meters

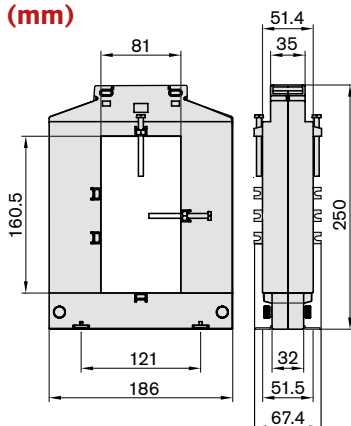
Housing

Housing material	Fire resistant UL94-V0
Protection degree (IEC/EN60529)	IP40 housing, Terminals IP20
Mounting	Thumb Screw closure, foot mounting
Weight	≥ 3.50 Kg

Connections

Primary winding	Passing cable
Secondary Connections	M4 Screws

Dimensions (mm)



Information Required with Order

Build your order number - example	RI-CTS816	5A	5000
Model			
Secondary Current - 5A or 1A			
Primary Current Range - See Parameters Table 'Order Code'			