

RI-CT230-EW Series

easywire® Three Phase Current Transformers - Branch Monitoring



- Patented technology
- Foot or DIN rail mounting
- RJ45 connector output
- Safe to leave transformer on load with output disconnected
- Fits standard moulded circuit breaker frame sizes
- 32A or 63A Primary current inputs
- 330mV output
- Sealable RJ45 connection
- 61mm width
- 17.5mm bar centres
- Ø 8mm apertures



Product Description

The RI-CT230-EW is part of the **easywire®** family of current transformers and is one of six frame sizes available.

This transformer has been designed to mount directly under MCBs with a spacing of 17.5mm between aperture centres.

The **easywire®** system has been designed to save up to 90% installation time compared to a standard current transformer to meter installation.

This three phase current transformer is suitable for monitoring current in industrial and commercial applications and is designed to connect to the **easywire®** series of metering products.

Built-in limiting circuitry ensures the secondary of the current transformer is always under load and clamped to a safe level. This means that the output connection may be safely disconnected while under load.

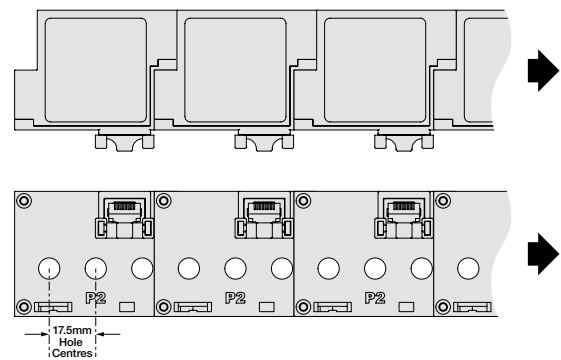
Improved design features of these **easywire®** current transformers include a robust 'snap-on' DIN rail fixing, sealable (anti-tamper) RJ45 connection sockets and moulded load direction indication arrows on the CT shoulders.

Parameters

Primary Current	Output (RJ45)	Order Code
32A	330mV	032
63A	330mV	063

Case

The design of the housing allows for the current transformers to be interlinked allowing for multiples of three phase circuits to be monitored.



Rated Standard

Rated Primary Current (I_{pr})	32A or 63A
Frequency Range (f_R)	47...63Hz
Rated continuous current (I_{cth})	100% rated current
Rated short time thermal current (I_{th})	<60 I_n
Rated dynamic current (I_{dyn})	2.5 I_{th}
Instrument security factor (FS)	≤5
Rated Secondary output (V_{sr})	330mV
Accuracy class	Class 1 to IEC/EN60044-8 & IEC/EN61869-2
Rated Secondary burden (R_{br})	>1kΩ

Insulation

Insulation type	Dry transformer, air insulation; Class B
Highest voltage (U_m)	0.72kV r.m.s.
Rated insulation level	3kV r.m.s. 50Hz/1 min

Environmental Conditions

Reference temperature	23°C ±1°C
Nominal temperature range	-25°C...40°C
Daily mean temperature	≤30°C
Limit temperature range for storage	-40°C...85°C
Relative humidity	≤85% non condensing

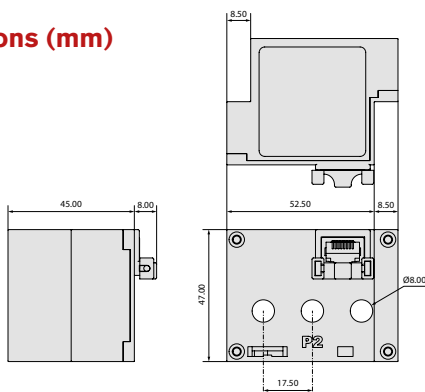
Housing

Housing material	Self extinguishing polycarbonate
Protection degree (IEC/EN60529)	IP40 housing, Terminals IP20
Mounting	Foot mounting, busbar mounting or snap on 35mm DIN rail mounting
Weight	<100g

Connections

Primary winding	Passing cable
Secondary winding	RJ45 connection

Dimensions (mm)



Information Required with Order

Build your order number - example	RI-CT230-EW 063
Model	
Primary Current Range - See Parameters Table 'Order Code'	