

RI-CT050 Series



Single Phase Moulded Case Current Transformers

- From 40A to 300A Primary currents
- 5A or 1A Secondary output
- 44mm width
- 21mm cable aperture
- Sealable terminal cover
- Supplied with DIN Rail mounting clip and mounting feet
- Compact design
- Indication of primary current flow (arrows on case body)

Ø 21mm

Product Description

The RI-CT050 Series forms part of a large family of solid core single phase moulded case current transformers from Rayleigh Instruments.

These transformers are suitable for monitoring current flow in commercial, industrial or utility applications. They are designed to connect any standard metering or relay product requiring a 5A or 1A output and are available with Primary current input ranges from 40A to 300A.

The RI-CT050 Series have been designed for ease of installation and are supplied with both DIN rail clip and fixing feet. They also have clear markings moulded into the case to indicate the correct direction of primary current flow to minimise installation errors.

Parameters

| Primary Current A | Burden | | | Order Code |
|-------------------|--------------|------------|------------|------------|
| | Class 0.5 VA | Class 1 VA | Class 3 VA | |
| 40 | - | - | 1 | 0040 |
| 50 | - | 1 | 1.5 | 0050 |
| 60 | - | 1.25 | 2 | 0060 |
| 75 | - | 1.5 | 2.5 | 0075 |
| 80 | - | 2 | 2.5 | 0080 |
| 100 | 1.5 | 2.5 | 3 | 0100 |
| 125 | 2.5 | 3.5 | 4 | 0125 |
| 150 | 3 | 4 | 5 | 0150 |
| 160 | 3 | 4 | 5 | 0160 |
| 200 | 4 | 5 | 6 | 0200 |
| 250 | 4 | 5 | 6 | 0250 |
| 300 | 4 | 5 | 6 | 0300 |

Available with 5A or 1A Secondary

Rated Standard

| | |
|---|-------------------------------------|
| Rated Primary Current (I_{pr}) | 40...300A |
| Frequency Range (f_R) | 47...63Hz |
| Rated continuous over current (I_{cth}) | 1.2 x rated current |
| Rated short time thermal current (I_{th}) | <60 I_n |
| Rated dynamic current (I_{dyn}) | 2.5 I_{th} |
| Instrument security factor (FS) | ≤5 |
| Rated Secondary output (I_{sr}) | 5A or 1A |
| Accuracy class | Class 0.5, 1 and 3 to IEC/EN61869-2 |

Insulation

| | |
|---------------------------|--|
| Insulation type | Dry transformer, air insulation; Class B |
| Highest voltage (U_m) | 0.72kV r.m.s. |
| Rated insulation level | 3kV r.m.s. 50Hz/1 min |

Environmental Conditions

| | |
|-------------------------------------|---------------------|
| Reference temperature | 23°C ±1°C |
| Nominal temperature range | -25°C...50°C |
| Daily mean temperature | ≤30°C |
| Limit temperature range for storage | -40°C...85°C |
| Relative humidity | ≤85% non condensing |

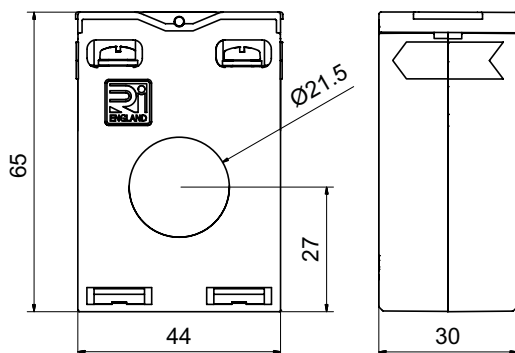
Housing

| | |
|---------------------------------|--|
| Housing material | Self extinguishing polycarbonate |
| Protection degree (IEC/EN60529) | IP40 housing, Terminals IP20 |
| Mounting | Foot mounting, or snap on 35mm DIN rail mounting |
| Weight | ≤200g |

Connections

| | |
|-------------------|--|
| Primary winding | Passing cable |
| Secondary winding | Screw clamp connection - 6mm ² Max. |

Dimensions (mm)



Accessories

The RI-CT050 series of current transformers come supplied with fixing feet and a robust DIN rail mounting clip.



Information Required with Order

| | |
|---|------------------|
| Build your order number - example | RI-CT050 5A 0300 |
| Model | |
| Secondary Current | |
| Primary Current Range - See Parameters Table 'Order Code' | |