

S100 Surface mounted meter PICOFLUX

The well-proven classic –
with integrated pulse output

- Single jet dry dial meter EVZP
- Cold water up to 30 °C, hot water up to 90 °C
- Nominal flow Q_n 1.5 and Q_n 2.5
- Meter length 80, 110, 130 mm
- Integrated potential-free pulse output



Approval
Cold water up to 30 °C

D 92
6.131.92

Approval
Hot water up to 90 °C

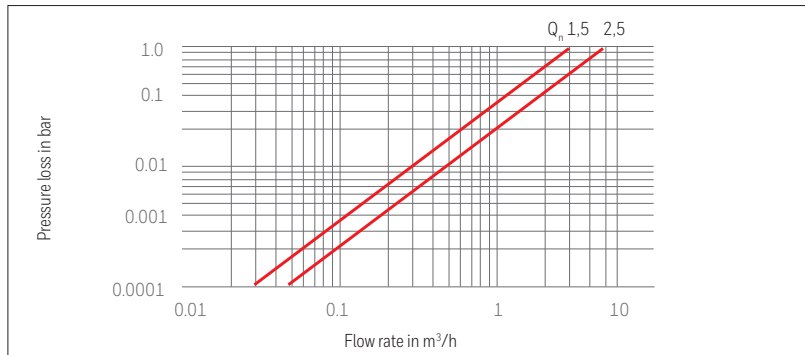
D 92
6.331.31

Meter type	EVZP					
Meter size	Q_n	m ³ /h	1.5	1.5	1.5	2.5
Nominal size	DN	mm	15			20
	DN	inches	1/2			3/4
Meter length		mm	80	110	110	130
Meter connection thread		inches	G 3/4 B	G 3/4 B	G 1 B	G 1 B

Performance characteristics

Overload flow rate	Q_{max}	m ³ /h	3	3	3	5
Transitional flow rate	Q_t	l/h	150	150	150	160
Minimum flow rate	Q_{min}	l/h	60	60	60	100
Starting flow		l/h	8	7	7	10
Initial calibration class			A			
Continuous flow rate	Q_n	l/h	1.500	1.500	1.500	2.500
Temperature class		°C	30 / 90			
Pressure rating	MAP	bar	16			
Flow capacity at 1 bar pressure loss		m ³ /h	3.3			5.2
Mechanical class			M1			
Inlet / outlet			UO/DO			
Climatic ambient conditions		°C	5 up to 70			
Protection class		IP	54			
Accuracy class cold water			±2%/±5%			
Accuracy class hot water			±3%/±5%			
Magnetic protection			EN 14154-3			

S100 Surface mounted meter PICOFLUX Technical Data



Meter type	EVZP					
Meter size	Q _n	m³/h	1.5	1.5	1.5	2.5

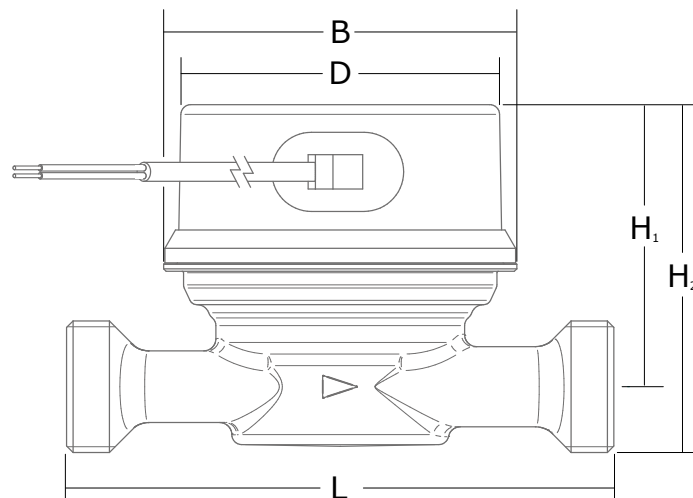
Dimensions					
Meter connection thread	inches	1/2	1/2	3/4	3/4
L Length	mm	80	110	110	130
B Width	mm	71	71	71	71
D Diameter register cap	mm	64	64	64	64
H ₁ Centerline height	mm	57.5	57.5	57.5	57.5
H ₂ Overall height	mm	73	73	72	72
Weight	kg	0.40	0.45	0.45	0.55

Integrated pulse output

Pulse value	100 l/Imp.
Sensor	Reed switch, potential-free, closing contact
Connection	Fixed wire, exit at the side, 1.5 m
Contact load	max. 30 V DC, 50 mA, max. 5 W
Closing time	< 1 ms
Drop out time	< 0.3 ms
Closing frequency	max. 400 Hz

Dimensional drawing

EVZP



For further information visit:
www.elstermetering.com

Honeywell Messtechnik GmbH
 Otto-Hahn-Ring 2-4
 64653 Lorsch, Germany
 T +49 6251 59301 0
 F +49 6251 59301 81
 E vertrieb.wasser@honeywell.com



S100 D02.31e / 03.17
 Contents subject to change without notice

Honeywell
 THE POWER OF **CONNECTED**