



WWW.AVMASTERTECH.COM



CAT6 CABLE

DESCRIPTION

AV Master Technology Co., Ltd R & D team who have been dedicated to deliver the exceptional quality in every way and this Professional designed cable includes labeling system with clear heat shrink at both ends allowing identification labels to be fitted.

When delivering digital signals matter, AV Master Design cables for Cat 6 Ethernet or LED display connection provide superior performance and reliable connectivity.

Connector boots provide bend protection and includes a cover with latch extension making insertion and removal to equipment both easier and more durable. Additionally the boots are phosphorescent allowing connectors to be easily identified in darkens environments

Your Most Reliable LED Display Solution Partner



WWW.AVMASSTERTECH.COM



KEY FEATURES

- Copper Terminals with Anti-Oxidation Nickel & Gold Plating
- Extra Wide Latch for Quick Connection/Removal
- Easy Coil, Kink Resistant Durable Break-Resistant Connector
- Easy To See Phosphorescent (Glow in the Dark) Connector Boot
- Bending Resistance, More Flexible,
- Anti Aging, friendly Plugging, Anti Oxidant, Anti Interference, Soft Abrasive Material
- Double Protection, Fire Proof & Moisture Proof
- Bend More Than 1,00,000 Times

Your Most Reliable LED Display Solution Partner

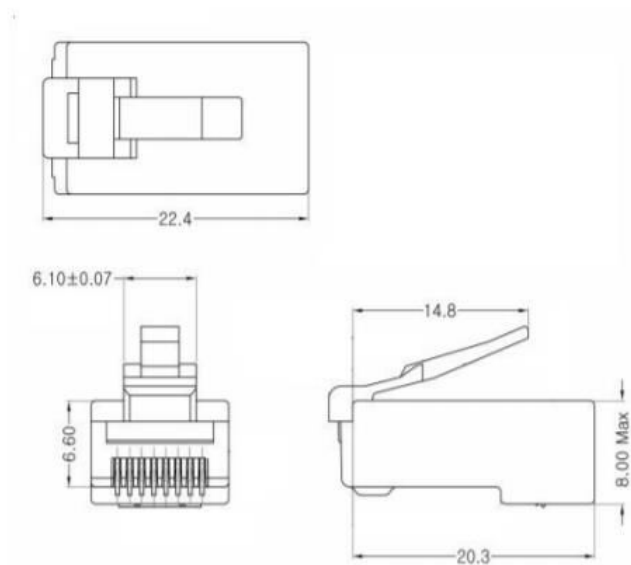


WWW.AVMASSTERTECH.COM

Specification

Conductor	Wire Guage	24AWG
	Material	Bare Copper Twisted Pair
	Cord Size	7/0.2/BC+0.008
Insulation	Avg.Thickness	0.2mm
	Min.Thickness	0.16mm
	Material	HD-PE
	Color	Orange*White/Orange, Green*White /Green, Blue*White/Blue, Brown*White/Brown
	Diameter	0.98+0.03mm
Jacket	Avg.Thickness	0.6+0.05mm
	Material	110P Matte
	Color	Matte Black
	Diameter	6.0+0.015mm

Connectors Dimension



Your Most Reliable LED Display Solution Partner