



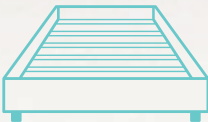
LULL PLATFORM BED FRAME

# ABOUT YOUR LULL PLATFORM BED FRAME



## QUALITY CRAFTSMANSHIP

The Lull Platform Bed Frame is made of solid wood and steel rail fittings for long term durability.



## OPTIMUM SUPPORT

The Lull Platform Bed Frame perfectly complements your mattress for the best fit. The slatted support will prolong the life of your mattress.



## **MODERN DESIGN**

The Lull Platform Bed Frame has a contemporary design with a stylish wood finish that looks great in any room.



## **EASY TO ASSEMBLE**

The Lull Platform Bed Frame can be assembled in 5 easy steps in under 10 minutes.

# COMMON QUESTIONS

## ***Do I need tools?***

### ***Full / Queen / King / Cal King:***

Yes, you will need your own phillips head screw driver, and the included allen wrench.

### ***Twin / Twin XL:***

Yes, you will need your own phillips head screw driver.

## ***What is the weight capacity of this frame?***

Twin & Twin XL: 500 pounds.

Full, Queen, King and Cal King: 800 pounds

## ***Can I use a headboard/footboard?***

*The Lull Platform Bed Frame is designed to be used without a headboard/footboard.*

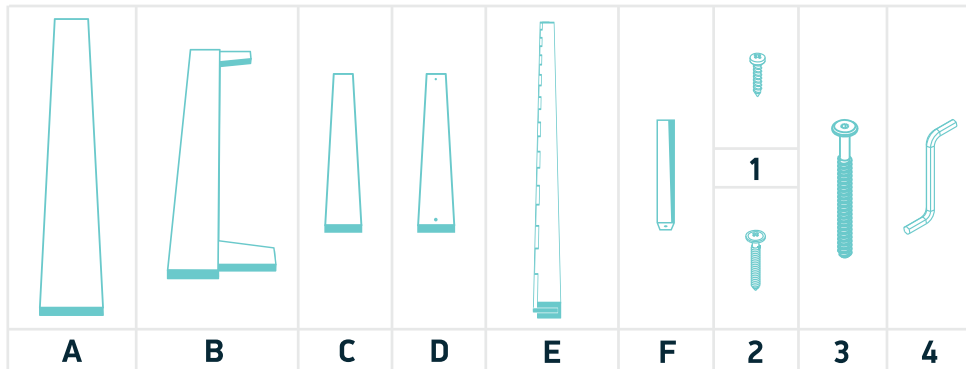
## ***Do I need to use a box spring?***

No, The Lull Platform Bed Frame will support your mattress without a box spring. If you prefer added height, you may use a box spring or bunky board that fits inside the frame.



# ASSEMBLY INSTRUCTIONS

## *Full / Queen / King / Cal King*



**A** Side Rail (x2)

**B** End Rail (x2)

**C** Slats

*Full* (x18)

*Queen / King / Cal King* (x20)

**D** Slats with Holes

*Full / Queen / King / Cal King* (x8)

**E** Center Beam (x1)

**F** Center Leg (x2)

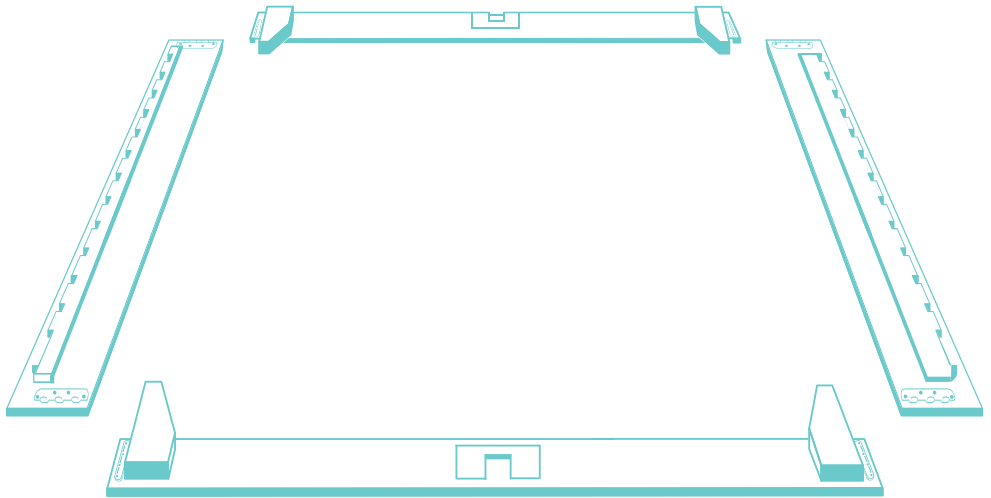
**1** Phillips Screw (x4)

**2** Phillips Screw

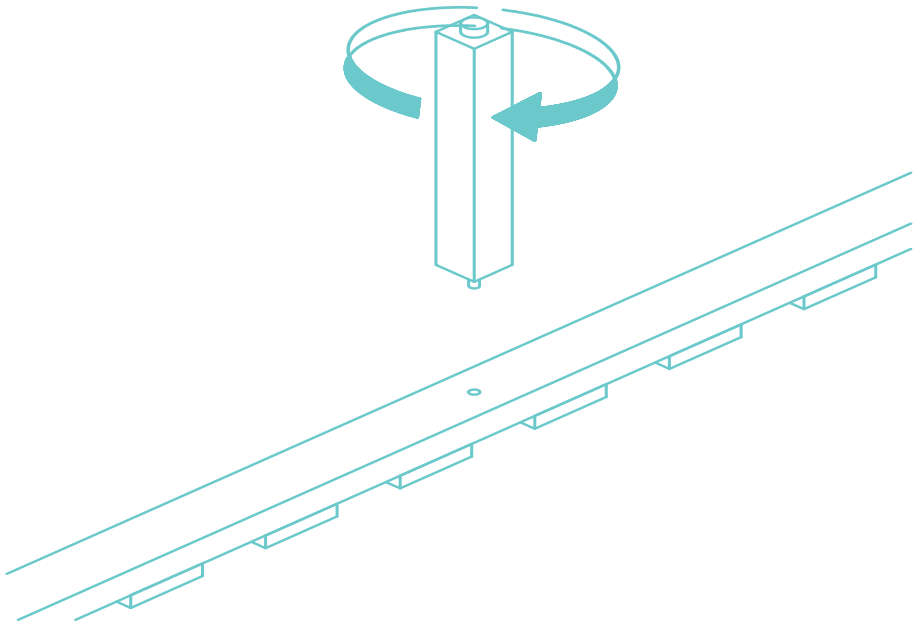
*Full / Queen / King / Cal King* (x16)

**3** Allen Screw (x2)

**4** Allen Wrench (x1)

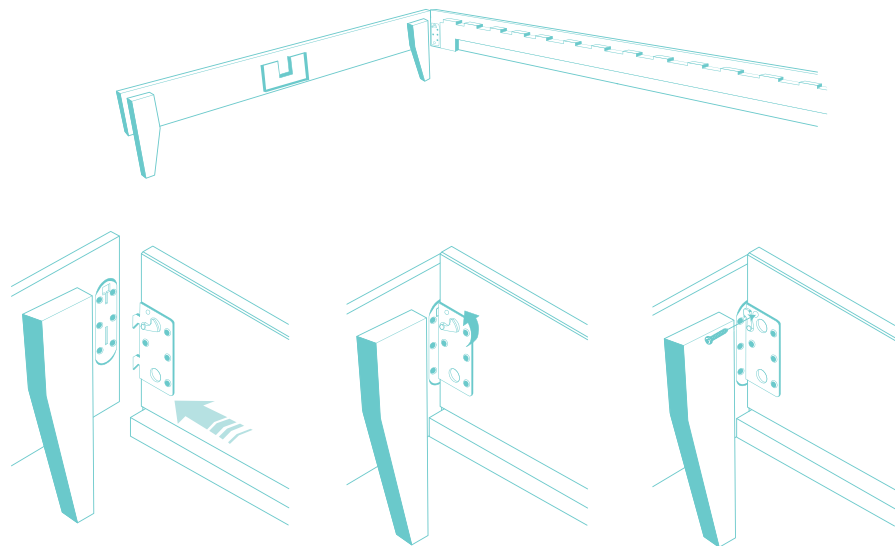


- 1 Position the Side Rails (**A**) and End Rails (**B**) in the desired location for your bed frame.

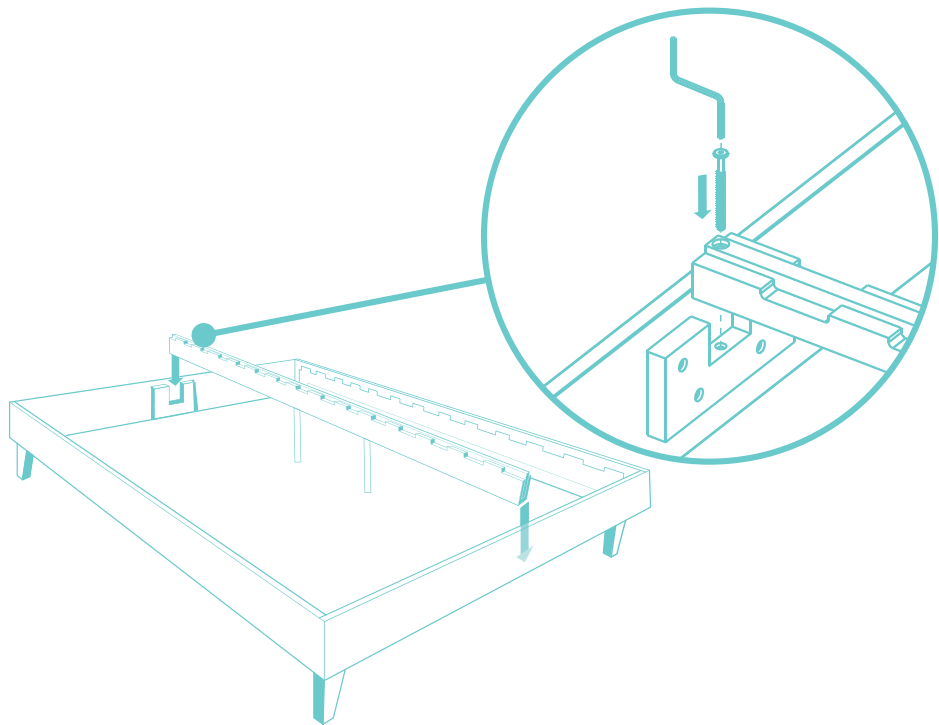


**2** Attach Center Leg (**F**) to Center Beam (**E**)

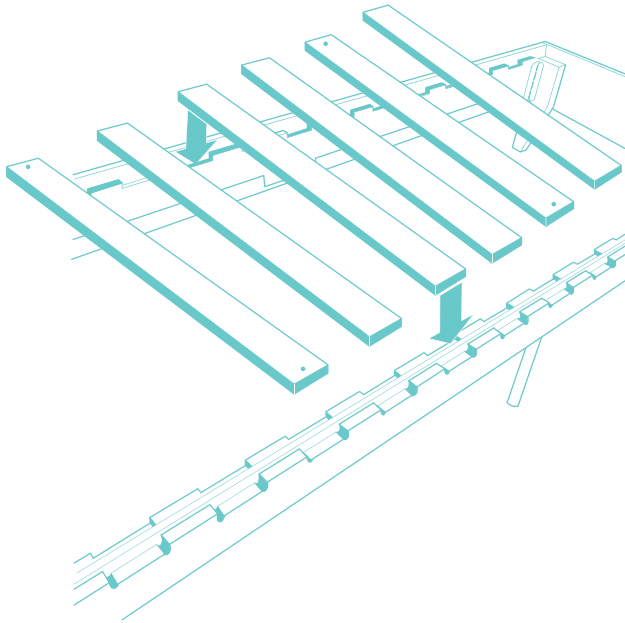




- 3** Attach Side Rails (**A**) to End Rail (**B**) by inserting metal teeth into metal joints (ensure metal teeth are pointing down). Place the safety hook in the proper position, and insert and tighten screw (**1**).



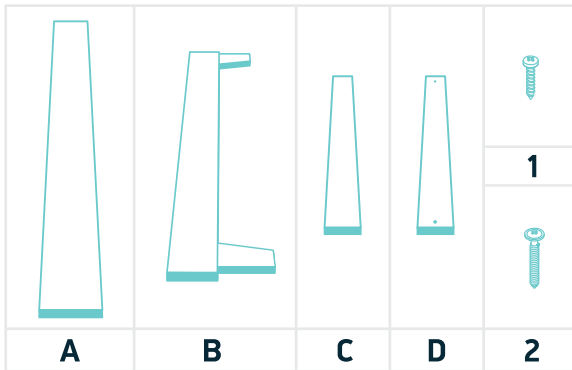
- 4** Insert Center Beam (**E**) into center grooves on End Rails (**B**). Insert screws (**3**) into Center Beam (**E**) and tighten with Allen Wrench (**4**).



- 5** Place Slats (**C**) into the grooves on Side Rails (**A**) and Center Beam (**E**) at the head and foot of the bed. For Full/Queen/King/Cal King bed frame sizes, slats with holes (**D**) should be inserted every fourth slat (**C**). Place screws (**2**) in the slats that have holes and use your own Phillip's head screwdriver to drill screws into frame.

# ASSEMBLY INSTRUCTIONS

## *Twin / Twin XL*



**A** Side Rail (x2)

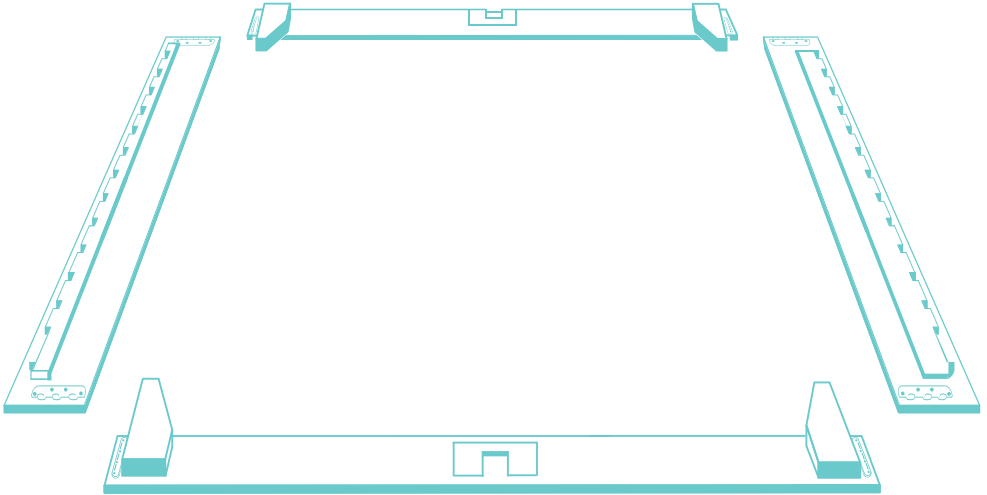
**B** End Rail (x2)

**C** Slats (x9)

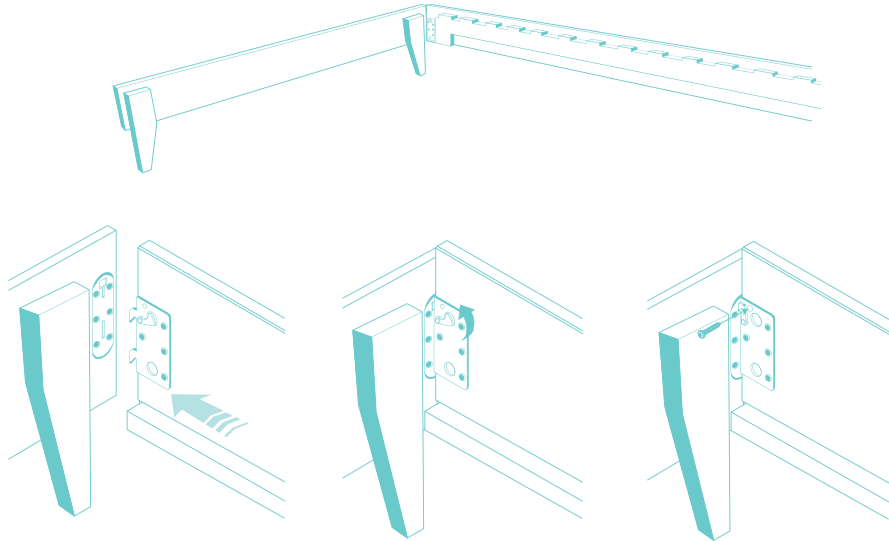
**D** Slats with Holes (x4)

**1** Phillips Screw (x4)

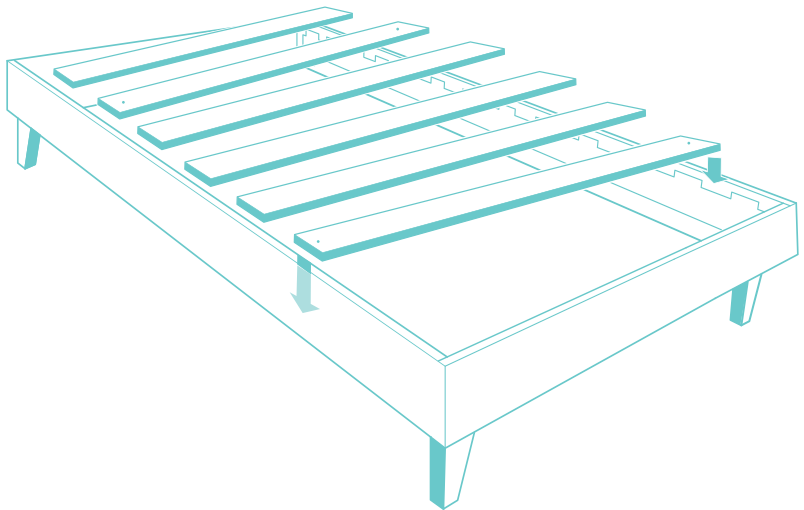
**2** Phillips Screw (x8)



- 1 Position the Side Rails (**A**) and End Rails (**B**) in the desired location for your bed frame.



- 2** Attach Side Rails (**A**) to End Rail (**B**) by inserting metal teeth into metal joints (ensure metal teeth are pointing down). Place the safety hook in the proper position, and insert and tighten screw.



- 3** Place Slats (**C**) into the grooves on Side Rails (**A**) at the head, center (2 slats) and foot of the bed. Slats with holes (**D**) should be inserted every fourth slat (**C**). Place screws (**2**) in the slats that have holes and use your own Phillip's head screwdriver to drill screws into frame.

# WE'RE HERE TO HELP



*If there is anything we can do to help you sleep better, please contact our Sleep Experts:*

**1-800-301-5845**

**SUPPORT@LULL.COM**

**LULL.COM/FAQ**

---

*We'd love to be friends!*



@lullbed

