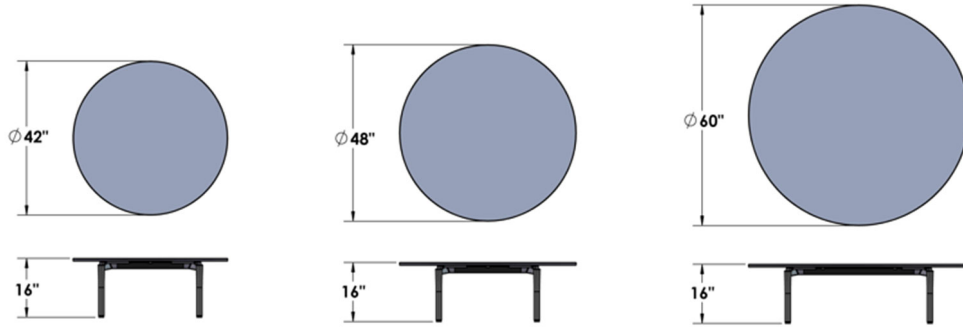


EQUALS TABLES + DESKS

Coffee Tables



Coffee Height
[Glide]

Height	Top	Base
	42"	
16"	48"	Glide
	60"	

Base Finish			
Frost	Silver	Charcoal	Black

Top Finish HPL		
Winter	Oak	Clay

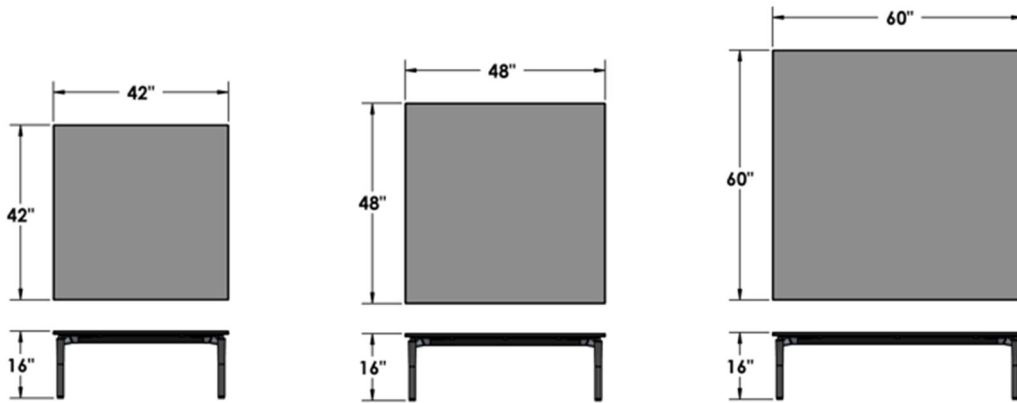
Accessories		
Leg Wire Management	In-Surface Power Unit	Below Outside Power Unit

Standard Options

- HPL Tops Simii Standard Color
- Perimeter Horizontal Wire Management Loops

EQUALS TABLES + DESKS

Coffee Tables



Coffee
[Glide]

Height	Top	Base
	42" x 42"	
16"	48" x 48"	Glide
	60" x 60"	

Base Finish			
Frost	Silver	Charcoal	Black

Top Finish HPL		
Winter	Oak	Clay

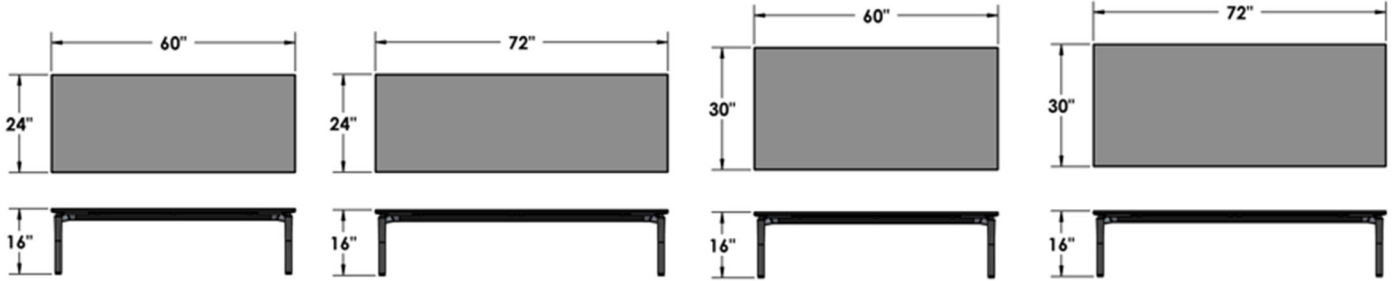
Accessories		
Leg Wire Management	In-Surface Power Unit	Below Outside Power Unit

Standard Options

- HPL Tops Simii Standard Color
- Perimeter Horizontal Wire Management Loops


EQUALS TABLES + DESKS


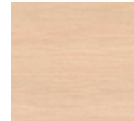

Coffee Tables






Coffee Height
(Glide)

Height	Top	Base
16"	24" x 60"	Glide
	24" x 72"	
	30" x 60"	
	30" x 72"	

Base Finish			
Frost	Silver	Charcoal	Black
			

Top Finish HPL		
Winter	Oak	Clay
		

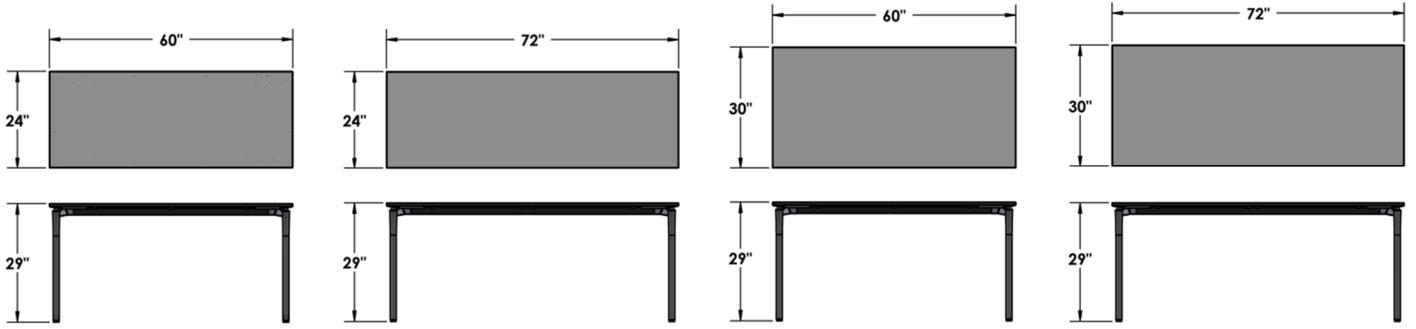
Accessories		
Leg Wire Management	In-Surface Power Unit	Below Outside Power Unit
		

Standard Options

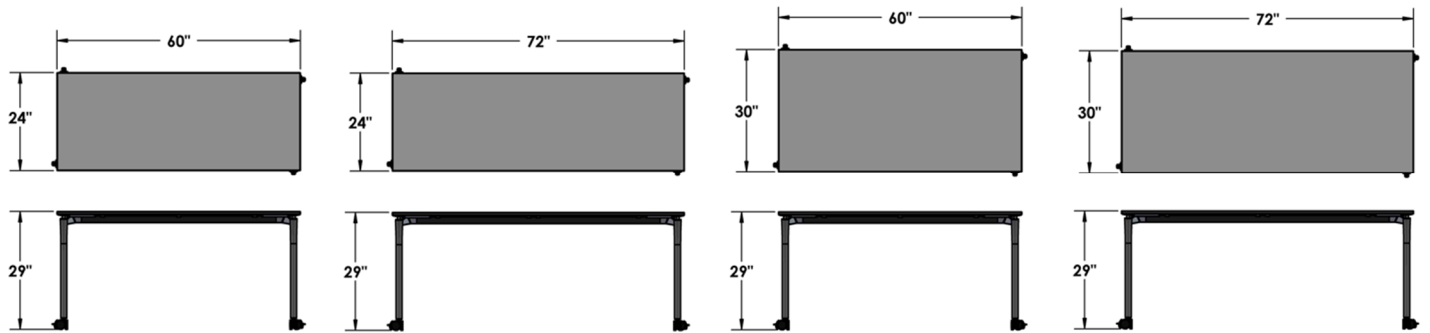
- HPL Tops Simii Standard Color
- Perimeter Horizontal Wire Management Loops

EQUALS TABLES + DESKS

Rectangle Tables



Desk Height
[Glide]



Desk Height
[Braking Caster]

Height	Top	Base
29"	24" x 60"	Glide or Braking Caster
	24" x 72"	
	30" x 60"	
	30" x 72"	

Base Finish			
Frost	Silver	Charcoal	Black

Top Finish HPL		
Winter	Oak	Clay

Panel PET Felt	
Cloud	Slate

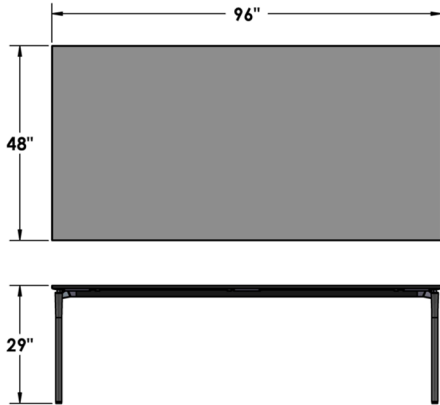
Accessories							
Leg Wire Management	Modesty Panel	Primod Panel	Net Wire Management	Bag Hook	Below Outside Power unit	Utility Power Unit	Above Power Unit

Standard Options

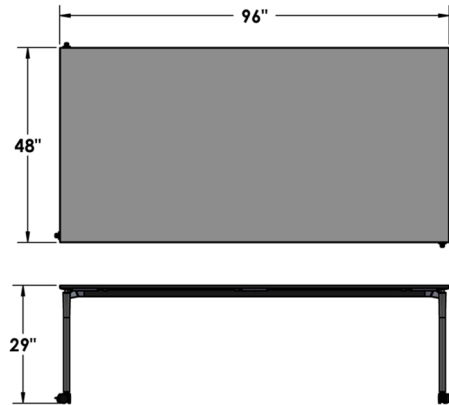
- HPL Tops Simii Standard Color
- HPL Tops with Ganging
- PET Felt Panel
- Perimeter Horizontal Wire Management Loops

EQUALS TABLES + DESKS

Rectangle Tables



Desk Height
[Glide]



Desk Height
[Braking Caster]

Height	Top	Base
29"	48" x 96"	Glide or Braking Caster

Base Finish			
Frost	Silver	Charcoal	Black

Top Finish HPL		
Winter	Oak	Clay

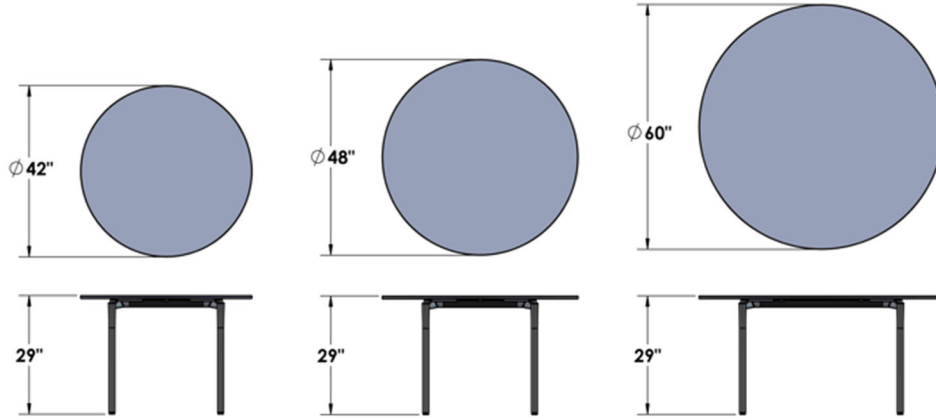
Accessories		
Leg Wire Management	In-Surface Power Unit	Below Outside Power Unit

Standard Options

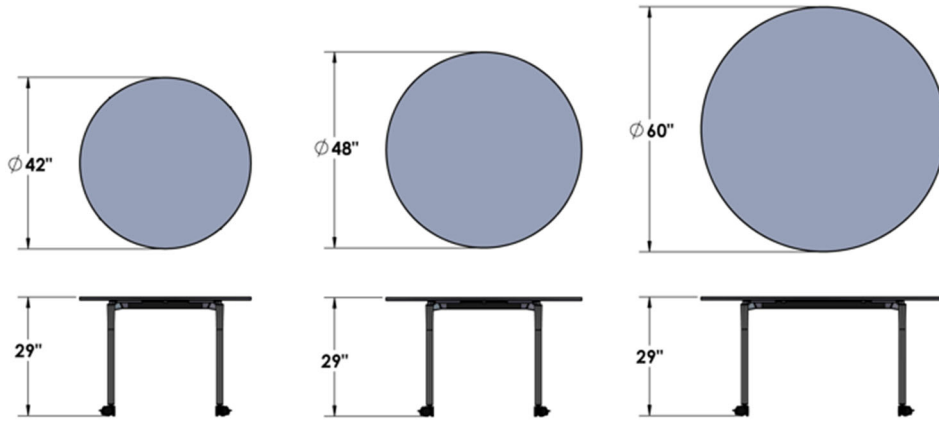
- HPL Tops Simii Standard Color
- Perimeter Horizontal Wire Management Loops

EQUALS TABLES + DESKS

Round Tables



Desk Height
[Glide]



Desk Height
[Braking Caster]

Height	Top	Base
29"	42"	Glide or Braking Caster
	48"	
	60"	

Base Finish			
Frost	Silver	Charcoal	Black

Top Finish HPL		
Winter	Oak	Clay

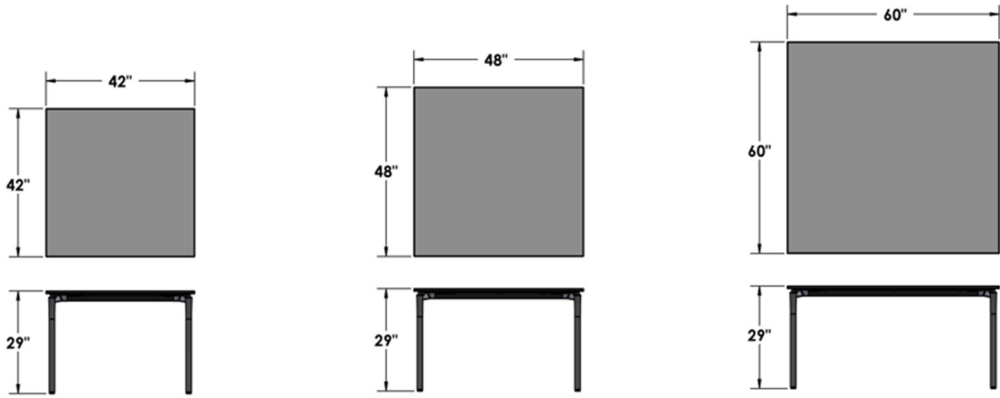
Accessories		
Leg Wire Management	In-Surface Power Unit	Below Outside Power Unit

Standard Options

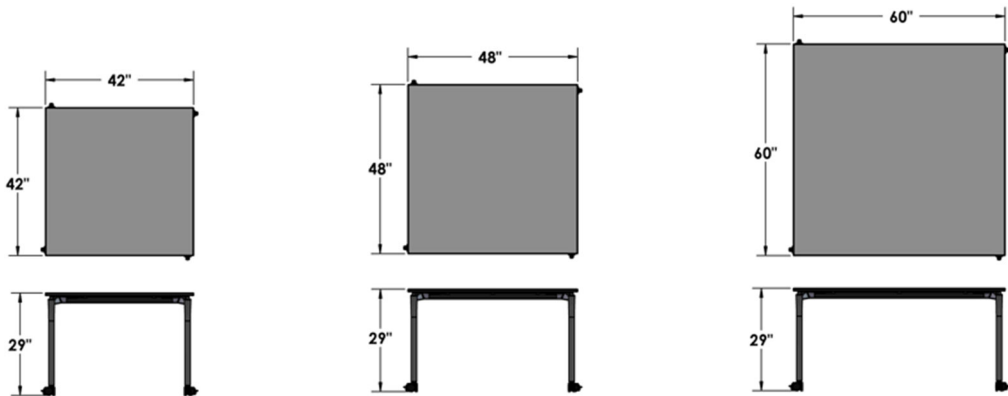
- HPL Tops Simii Standard Color
- Perimeter Horizontal Wire Management Loops

EQUALS TABLES + DESKS

Square Tables



Desk Height
[Glide]



Desk Height
[Braking Caster]

Height	Top	Base
29"	42" x 42"	Glide or Braking Caster
	48" x 48"	
	60" x 60"	

Base Finish			
Frost	Silver	Charcoal	Black

Top Finish HPL		
Winter	Oak	Clay

Accessories		
Leg Wire Management	In-Surface Power Unit	Below Outside Power Unit

Standard Options

- HPL Tops Simii Standard Color
- Perimeter Horizontal Wire Management Loops