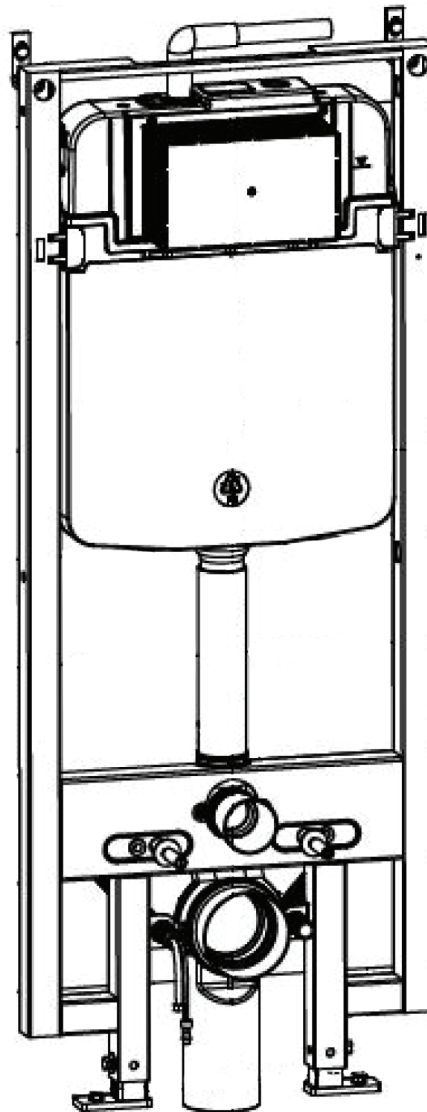


TRONE

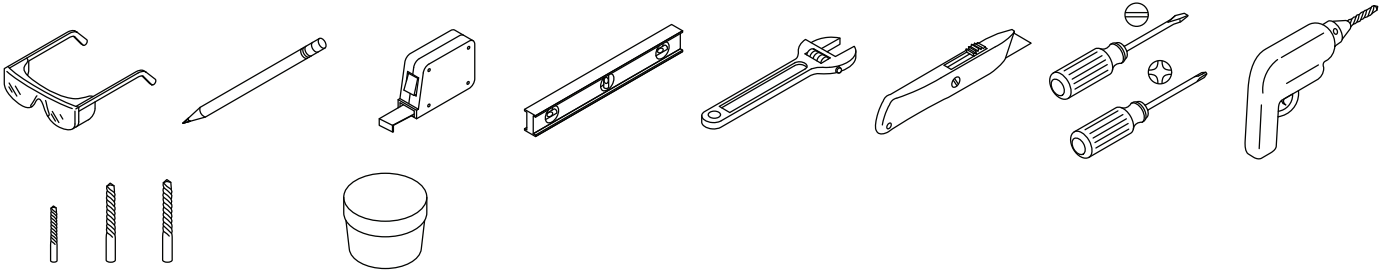
Installation Instructions In-Wall Tank and Carrier



THANK YOU FOR CHOOSING TRONE

Trone provides innovative bathroom products at an affordable price. Congratulations on making a wonderful choice and improving your quality of life.

COMMON TOOLS NEEDED



Assorted Drill Bits Silicone Plumbers Grease

BEFORE INSTALLATION

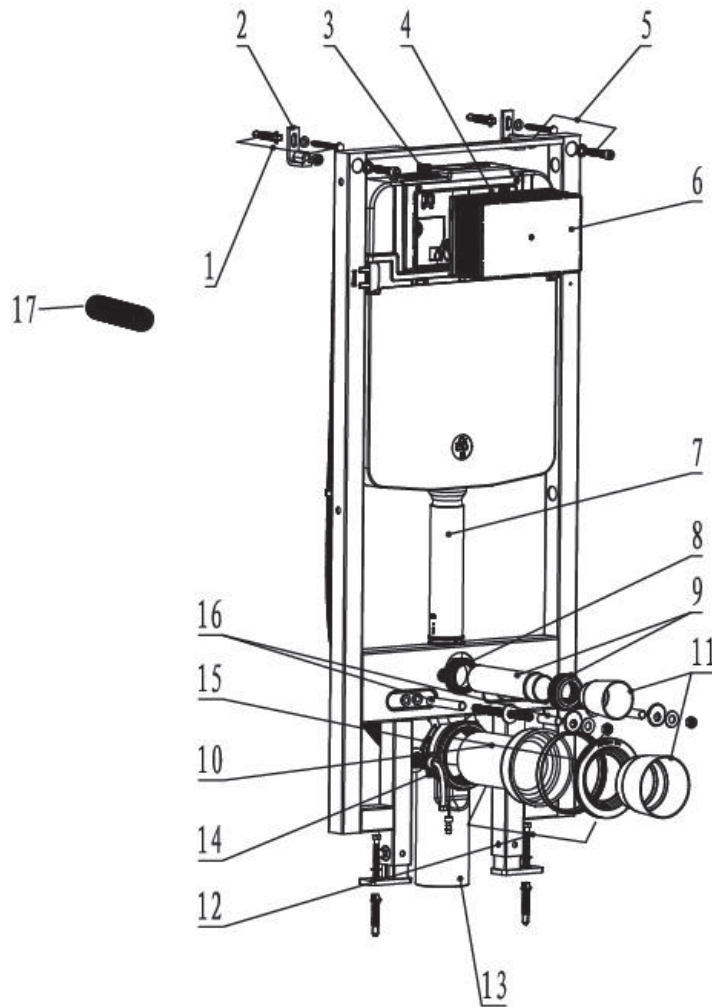
1. Please adhere to the following installation instructions. We will not be responsible for failures and the loss that are attributed to improper installation.
2. Please confirm the installation location of Frame prior to installation and obtain the finished floor surface. Draw FFL on installation wall and follow it as a baseline from ZERO (0) level.
3. The instructions have been composed based on on the latest specifications. We reserve the right to make modifications to the packaging and specifications without providing prior notification.

Need Help?

Phone: 435-267-1496

Email: support@troneplumbing.com

Website: www.troneplumbing.com



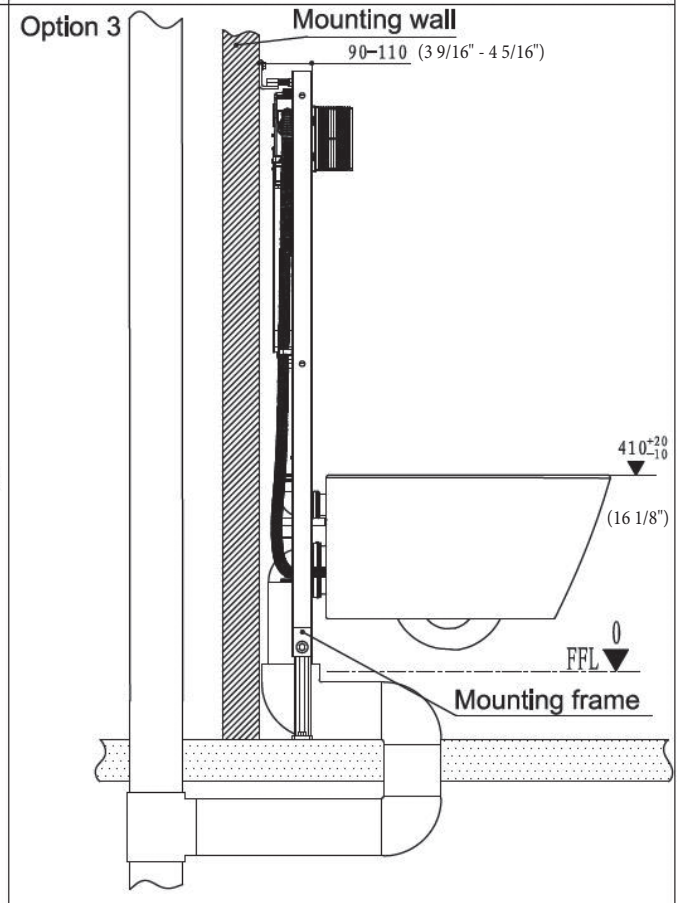
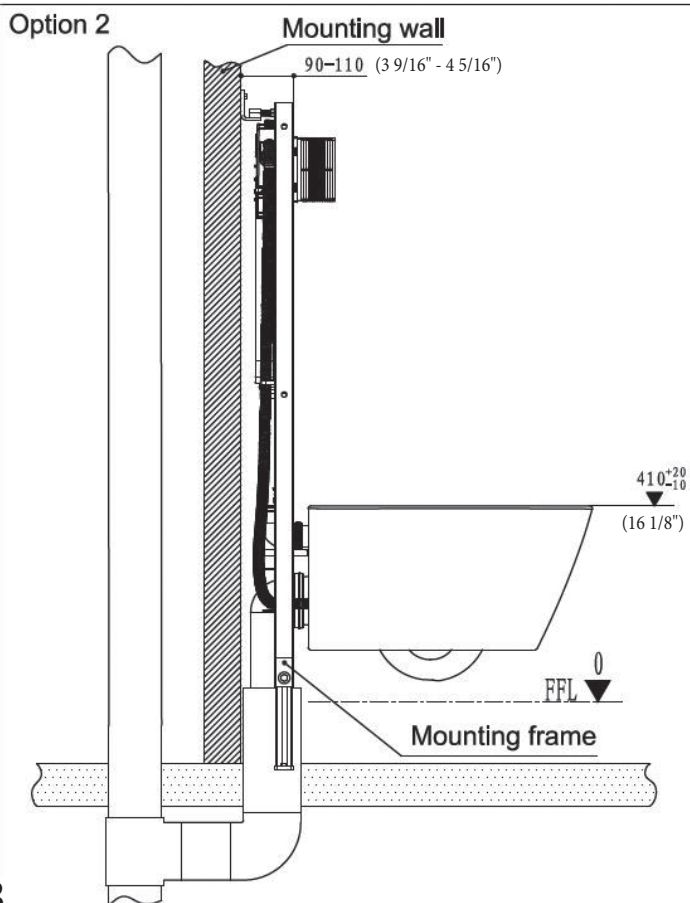
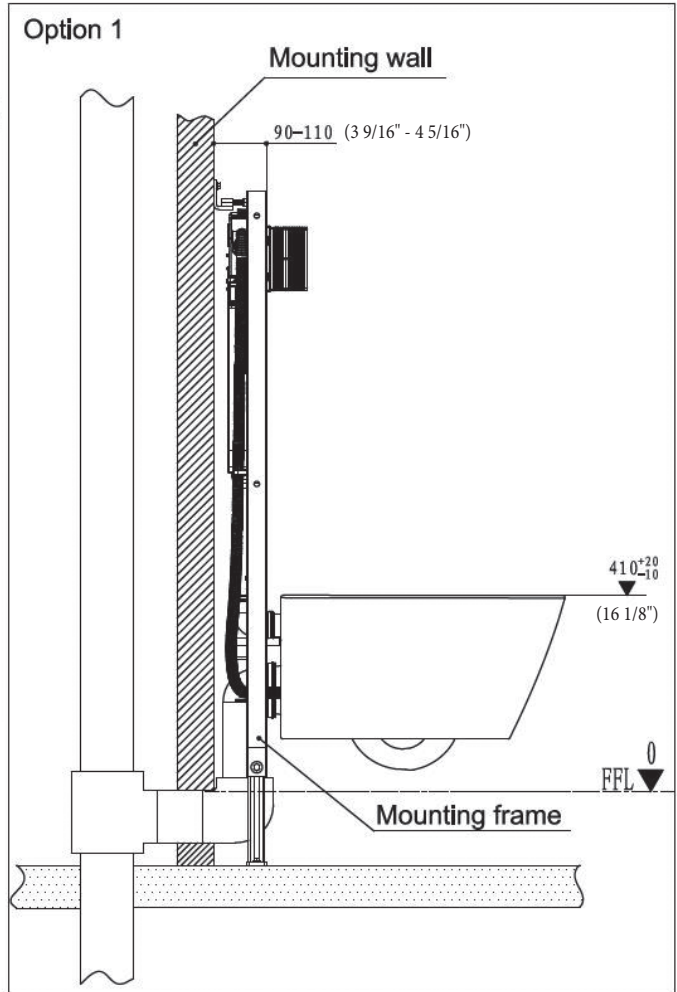
List of main installation accessories

| No. | Description | Qty | Function |
|-----|----------------------------|-----|---|
| 1 | Expansion screw | 4 | Fixation of frame |
| 2 | Wall bracket | 2 | |
| 3 | Angle valve | 1 | Water inlet switch of fill valve |
| 4 | Cistern cover | 1 | To fix locking bracket |
| 5 | Socket head screw | 2 | To mount and lock metal frame to wall bracket |
| 6 | Plastic holder | 1 | To reserve space for installation of actuator at wall building |
| 7 | Connecting tube | 1 | Water inlet to ceramic bowl |
| 8 | Fixing screws | 2 | To fix connecting tube |
| 9 | Flushing piping | 1 | To supply water from cistern to toilet (Length to be adjusted according to wall thickness) |
| 10 | Connecting screw | 2 | To mount ceramic bowl |
| 11 | Dust-proof covers | 2 | To reserve space for flushing piping at wall building To reserve space for discharging piping at wall building |
| 12 | Connecting pipe | 1 | To discharge waste from toilet (Length to be adjusted according to wall thickness) |
| 13 | Draining syphon | 1 | To discharge waste from toilet |
| 14 | Mounting bracket | 1 | To mount draining syphon |
| 15 | Draining syphon holder | 1 | |
| 16 | Protective cover | 2 | To protect connecting screw at wall building |
| 17 | Corrugated tube (optional) | 2 | To protect electric wire and water pipe |

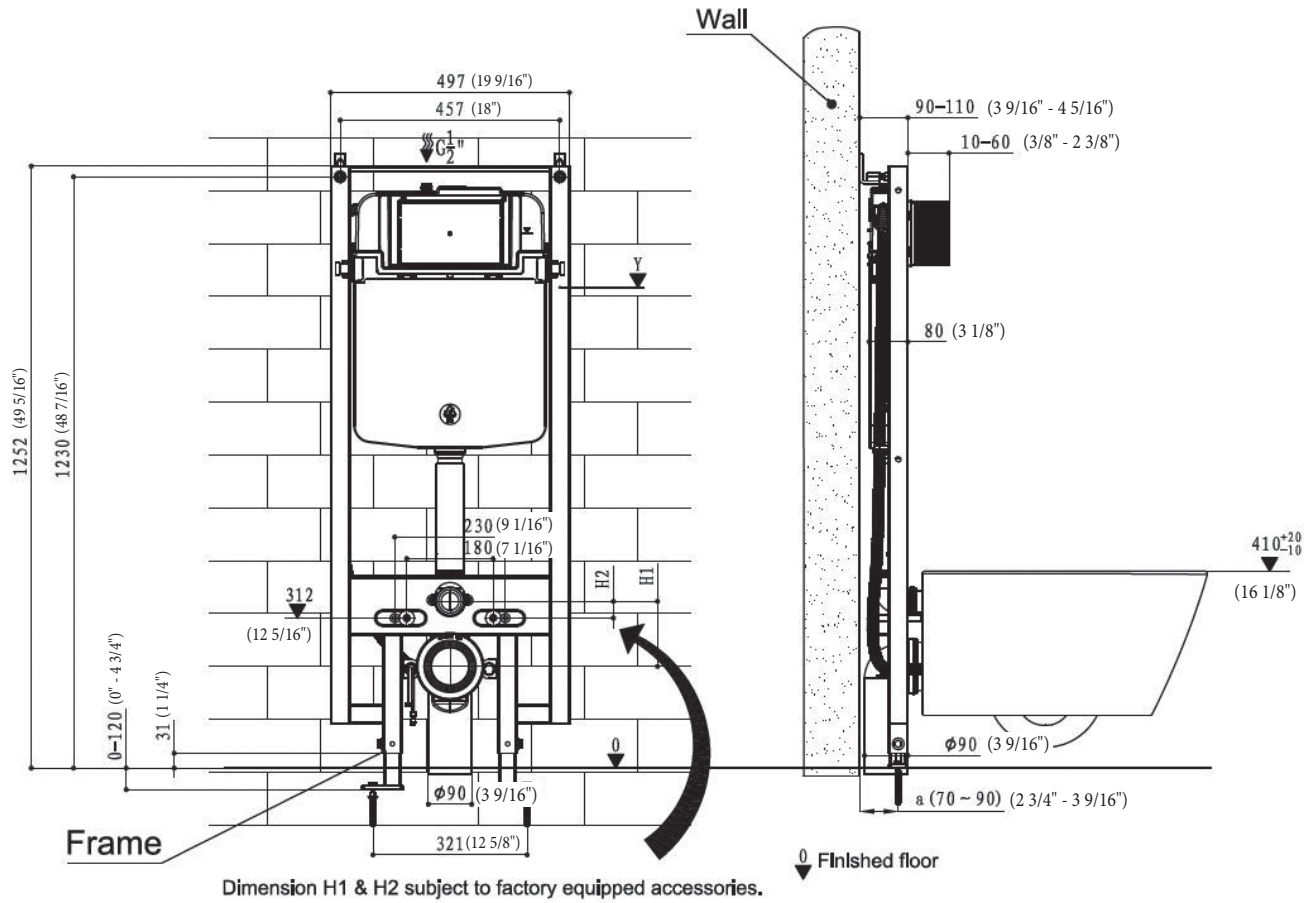
1. Drainage System Layout

Drawing 1 to 3 are three different installation systems for drain pipe. Customer should confirm whichever installation system according to drainage outlet position. If drainage outlet does not fall within the three systems, customer should follow one of three drainage system layout to correspond installation of our concealed cistern.

 FFL \downarrow $\overset{0}{\downarrow}$ = Finished Floor.

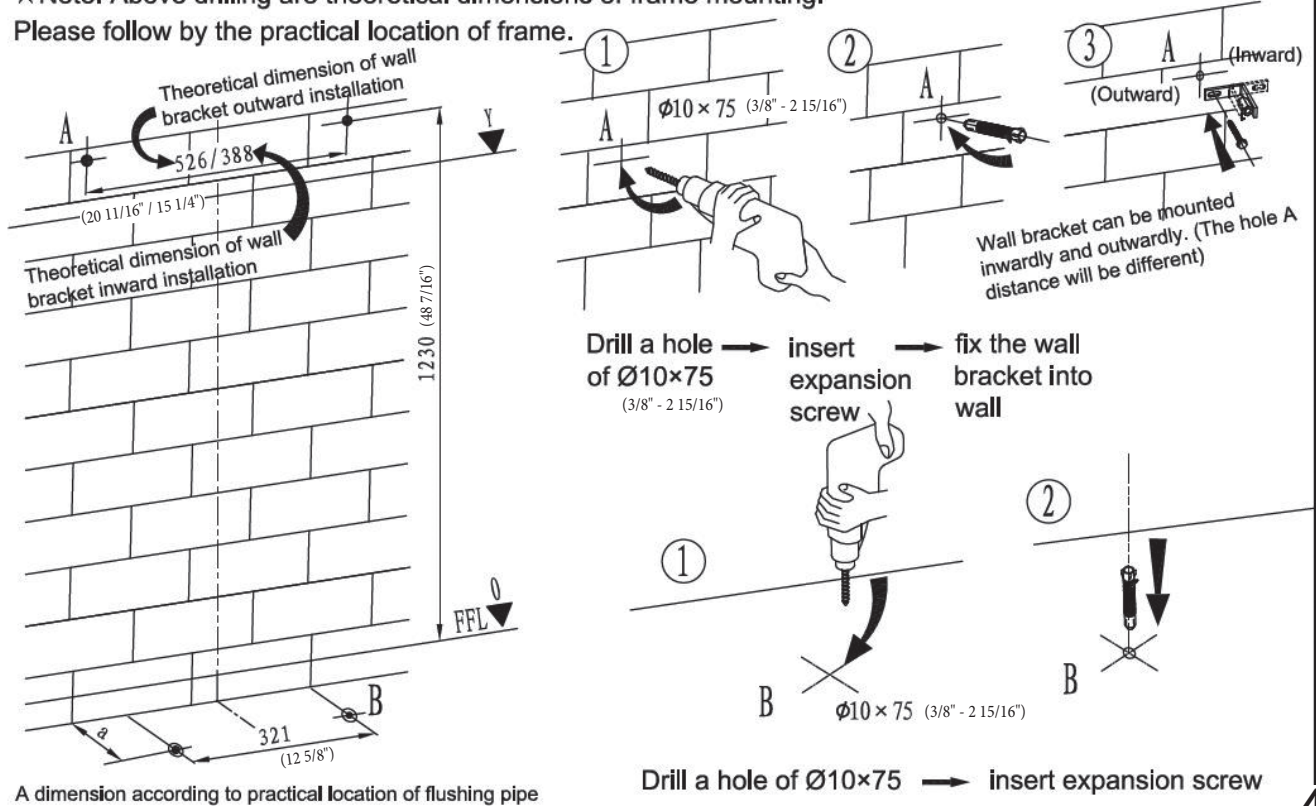


2. General dimension and water supply drawing

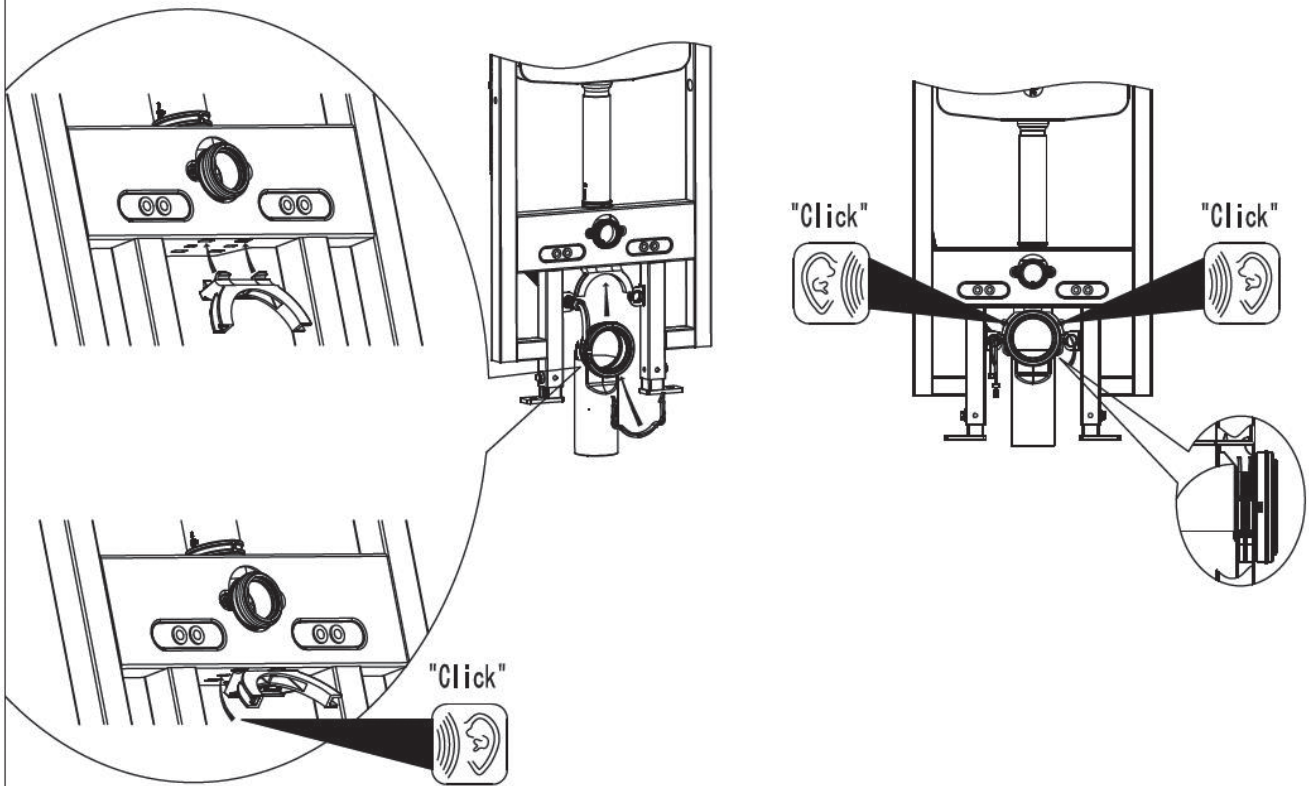


3. Drill the holes and insert the expansion bolt

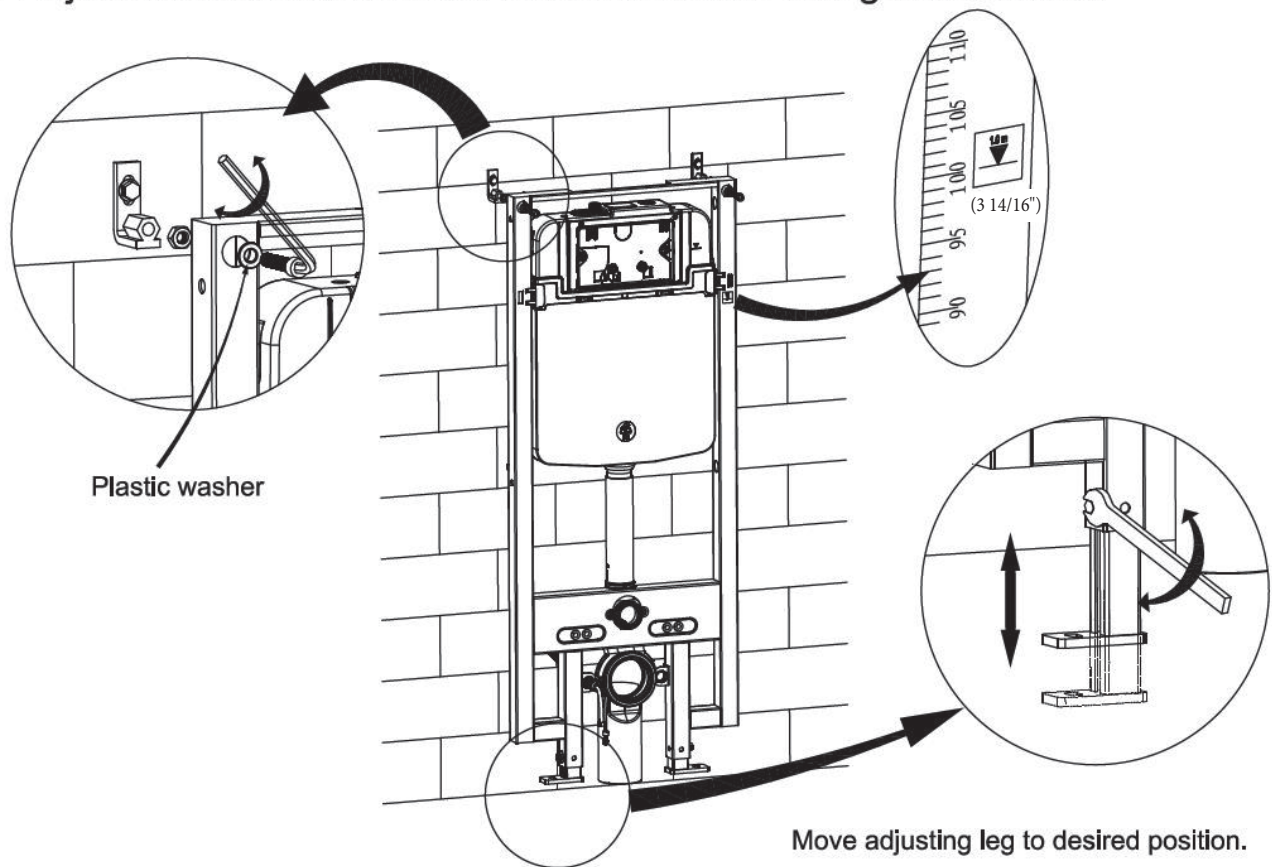
☆Note: Above drilling are theoretical dimensions of frame mounting.
Please follow by the practical location of frame.



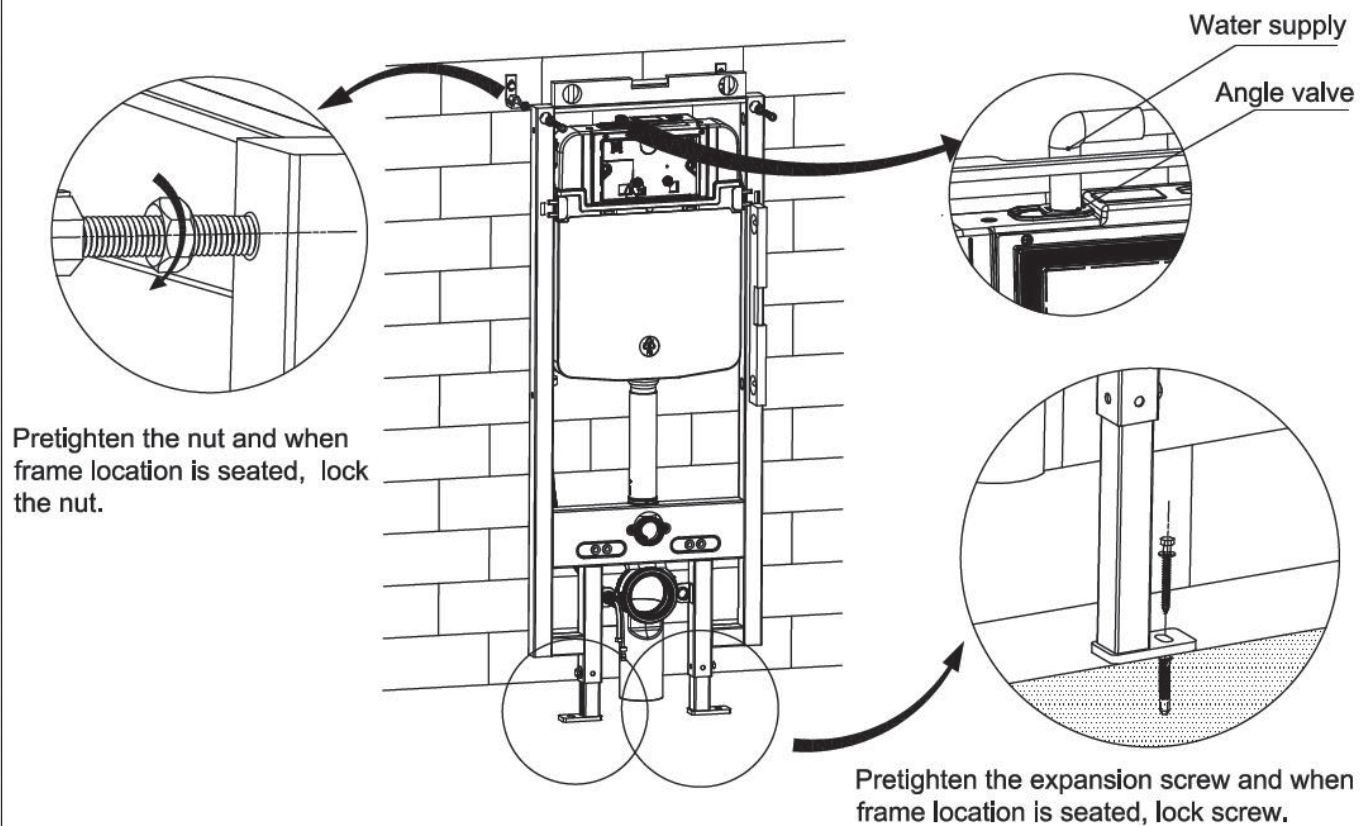
4. Installation of draining siphon



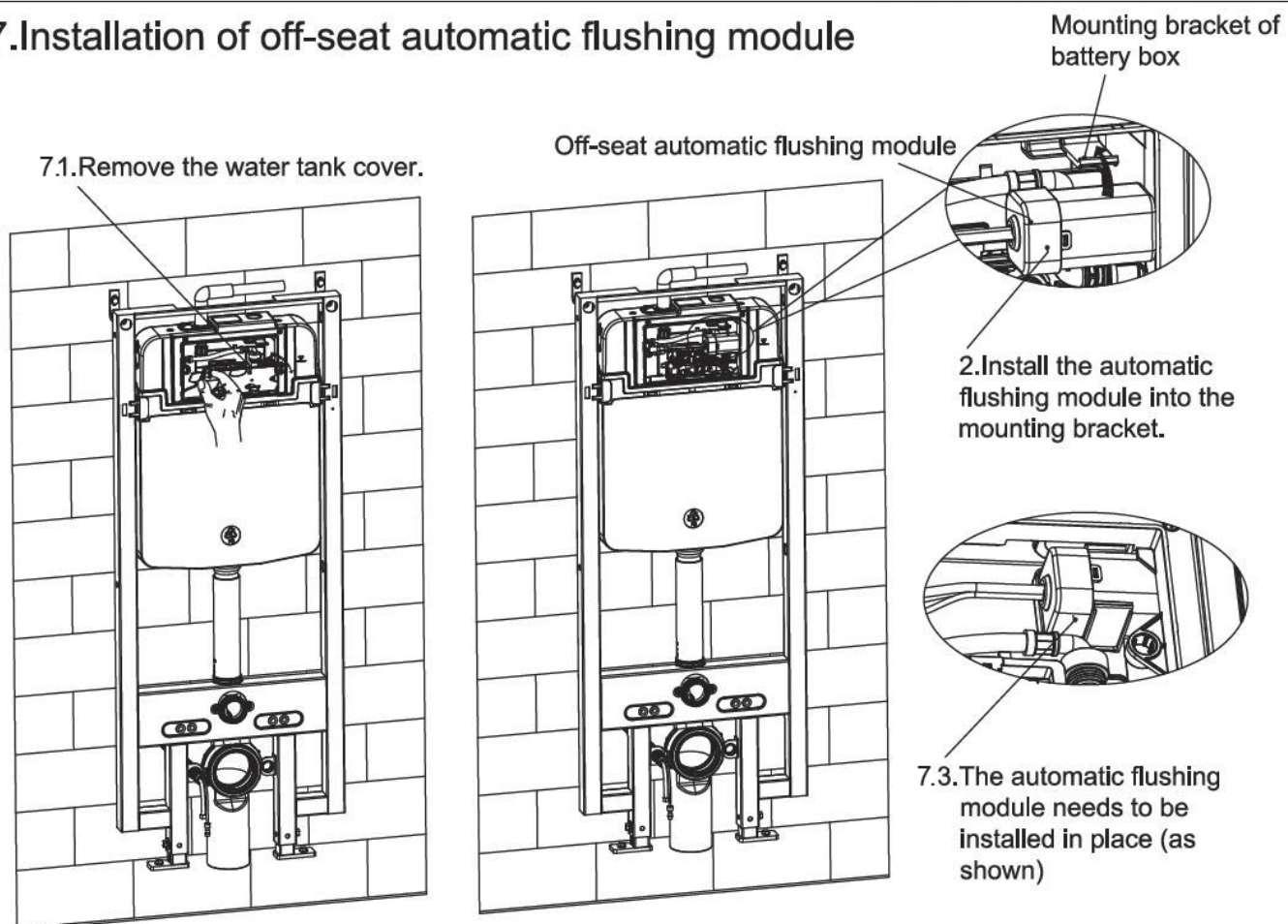
5. Adjustment of socket head screw and floor fixing accessories

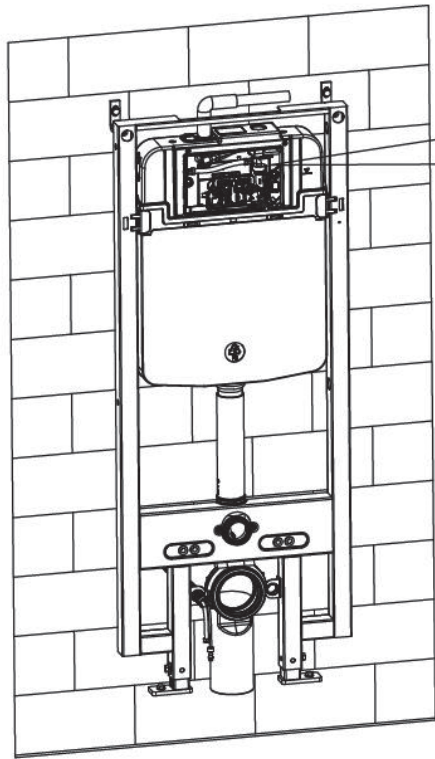


6. Adjust the frame, then fix it, and install water supply

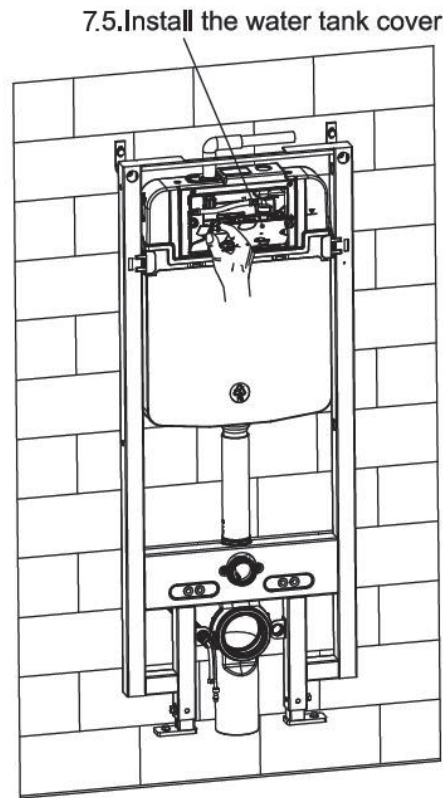
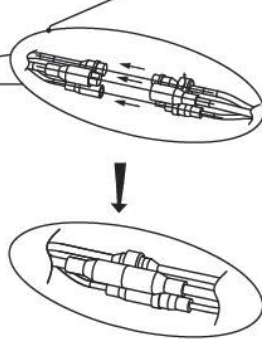


7. Installation of off-seat automatic flushing module





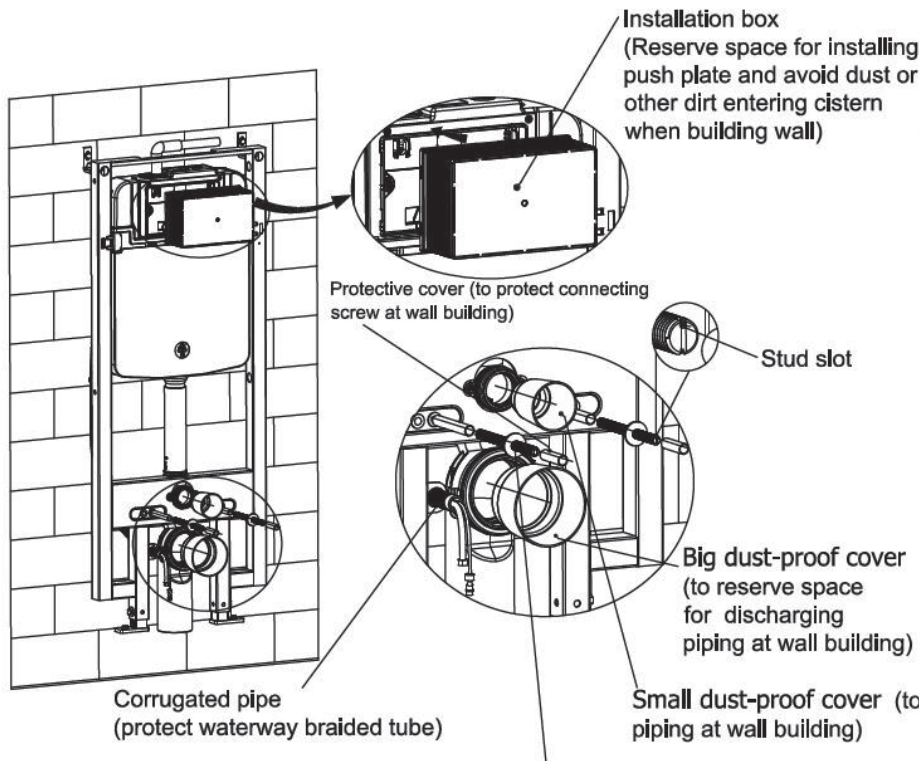
74.Connection between corresponding wires (as shown)



75.Install the water tank cover

8.Mounting of installation accessories

8.1:Mounting of installation box, big and small plugs



Installation box (Reserve space for installing push plate and avoid dust or other dirt entering cistern when building wall)

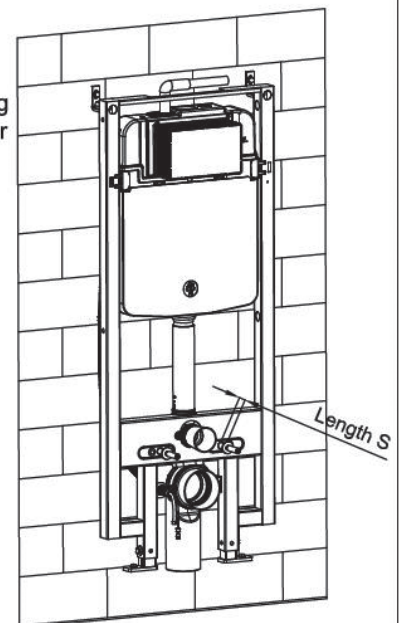
Protective cover (to protect connecting screw at wall building)

Stud slot

Big dust-proof cover (to reserve space for discharging piping at wall building)

Small dust-proof cover (to reserve space for flushing piping at wall building)

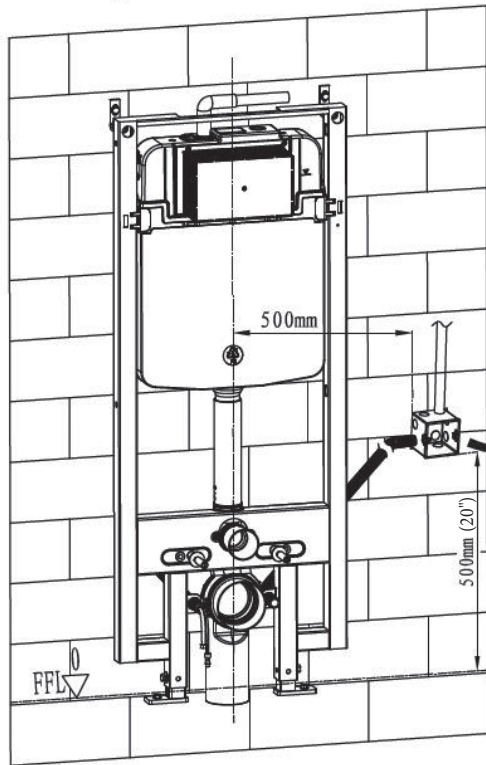
Corrugated pipe (protect waterway braided tube)



Note:
1. Size of stud hole is 180mm.
2. The distance S between stud washer and surface of metal frame is same as thickness of decoration wall.

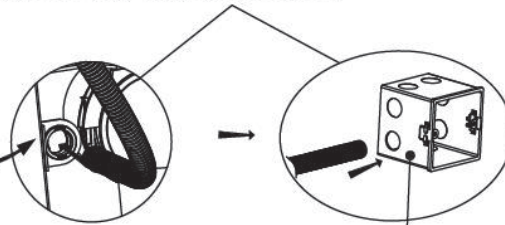
Connecting stud(to fix the bowl, size of stud hole should be 180mm, (7 1/16") one end with slot of the stud should face outward)

8.2 .Installation of corrugated pipe(protect electronic cable)



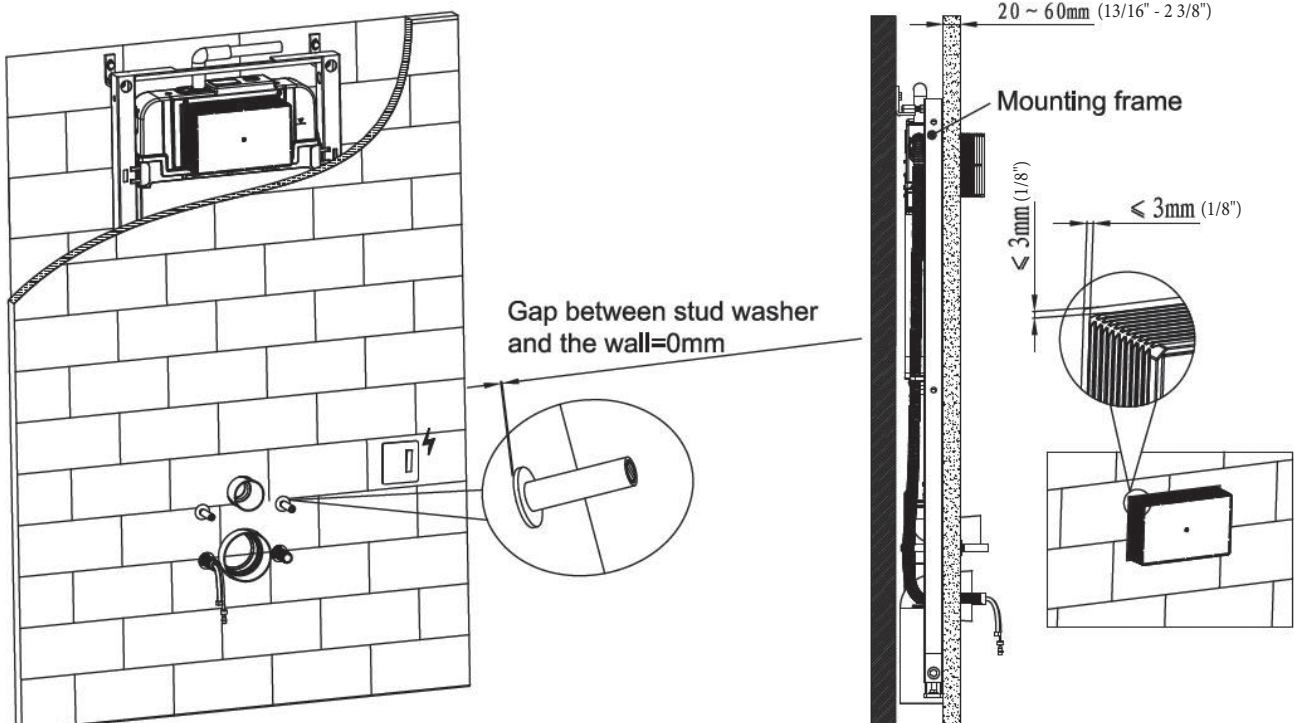
Installation steps of corrugated pipe (protect circuit connection line)

1. Penetrate one end of the corrugated pipe into the back of the iron frame with a round hole of pipe clamp.
2. Insert the other end into the circuit breaker-junction box (Users buy it by themselves)

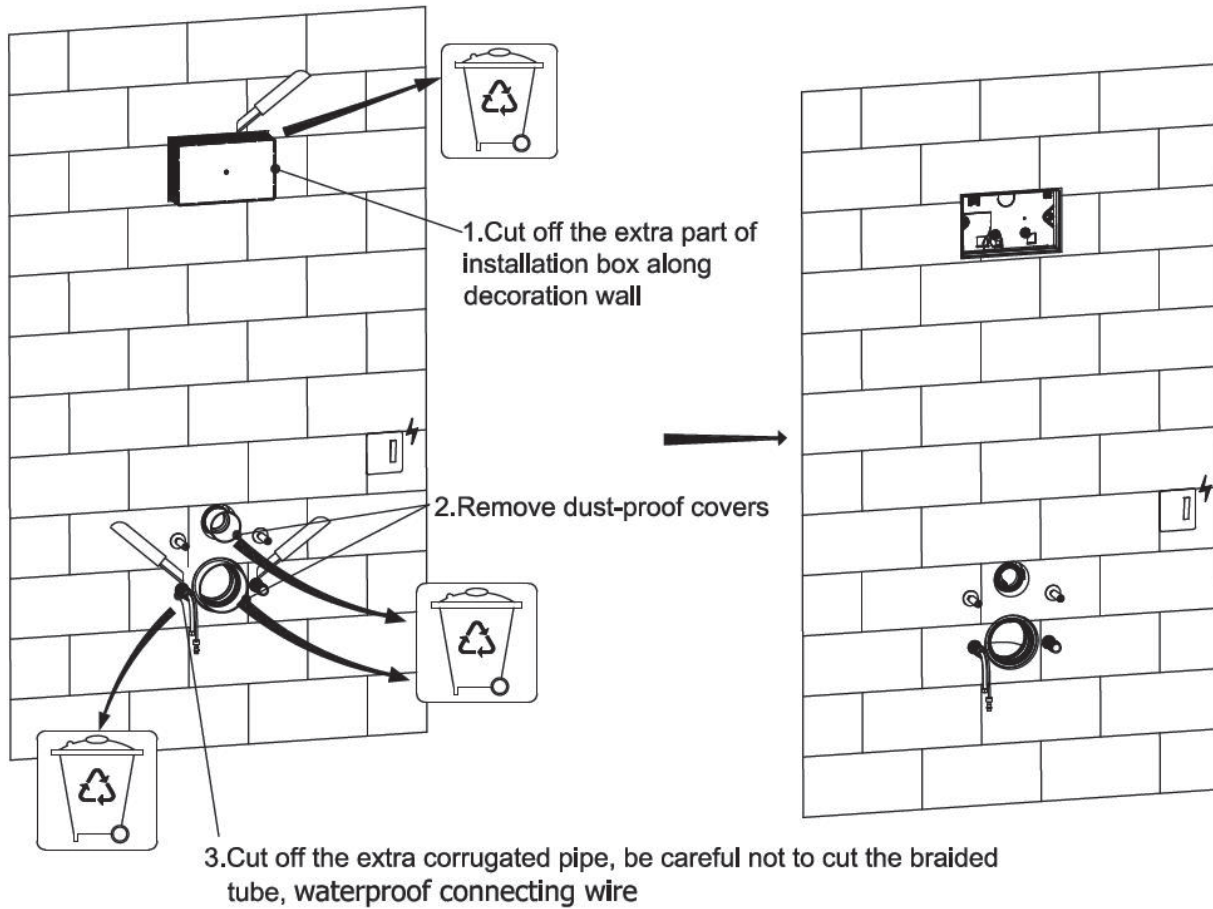


Circuit breaker-junction box
(not supplied)

9. Decoration wall thickness range 20~60mm 13/16"~2 3/8" (from the outside surface of the mounting frame to finished wall surface)



10. Remove extra installation boxes, corrugated pipe, dust-proof covers



support@troneplumbing.com

www.troneplumbing.com