

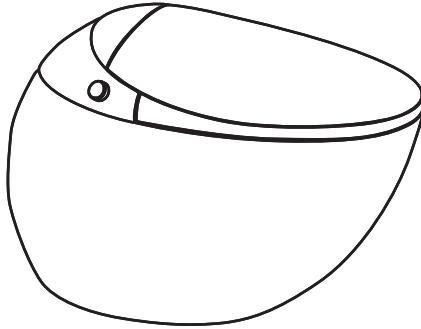


STY1 Installation Manual

INSTALLATION PREPARATION

Before installation begins, please confirm that you have the materials indicated below:

Included



Main Unit



Sealing Flange



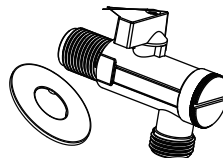
Remote Control
Components



Efoam



Installation Manual



Angle Valve

Recommended Tools



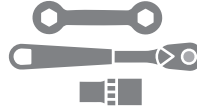
Pencil



Masking or
painters tape



Tape measure
or ruler



7/16" ratchet box
wrench or deep socket
ratchet wrench

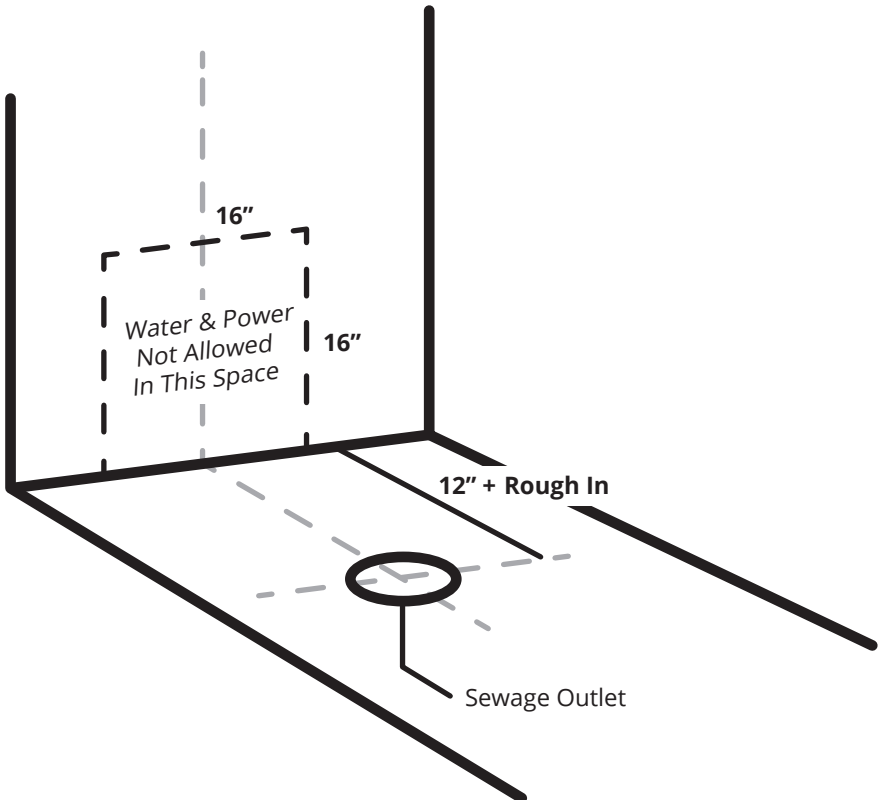


Carpenter's
square or other
straight edge

Precautions Before Installation

Please give enough allowance for the installation. Ensure that there is room enough for the opening and closing of the bathroom door. Please see diagram below for product placement measurements.

Please confirm the location of the sewage outlet and the wax ring as indicated below before installation.



Installation Requirements

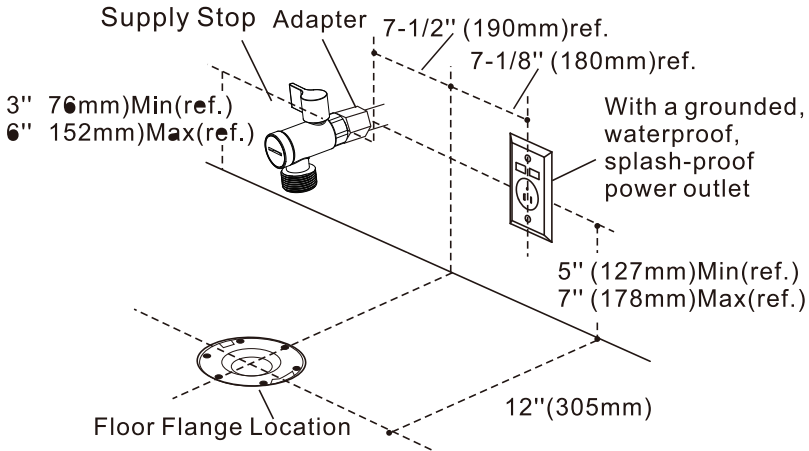
Minimum static water pressure: 20 psi

Maximum static water pressure: 80psi

Minimum water flow: 1 Gallon every 10 seconds

115 V power GFCI receptacle within 4'

Recommended Water & Power Placement



#1 INSTALLING THE WATER VALVE

Option #1: Copper Stubbed Out of Wall

1. Shut off water to the house and drain water supply line by opening a nearby faucet.
2. Once the water pressure has reduced and has stopped flowing, unscrew the nut from the angle valve and remove the valve from the copper pipe (stub out).
3. Push the nut as far from the brass crimp ring(ferrule) as possible and using a wheel cutter or a hacksaw, cut the pipe between ferrule and the wall (as close to the ferrule as possible)

4. Adapt plumbing to ½" FIP(Female Iron Pipe) with a gasketed John Guest female adapter (Not included).
<https://www.johnguest.com/us/en/cts-fittings/speedfit-twist-and-lock/elbows/speedfit-female-swivel-elbow-nps-thread>
5. Thread Valve onto John Guest fitting and tighten in place (Do not use Teflon tape)
6. Make sure valve is shut off and turn the water back on to check for leaks before setting the toilet in place

Option #2: Using PEX water line (new construction, remodels, and plumber installation. Not recommended without a professional)

1. Shut off water to the house and drain water supply line by opening a nearby faucet.
2. Once the water pressure has reduced and has stopped flowing, cut off the valve or fitting using a pipe cutter.
3. Insert a ½" Female gasketed swivel adapter (Not Included) into the PEX water supply and crimp in place (Crimp ring goes on first)
<https://www.plumbersstock.com/pxfes12-12in-brass-plex-female-swivel-adapter.html>
4. Thread Valve onto fitting and tighten in place (Do not use Teflon tape)
5. Make sure valve is shut off and turn the water back on to check for leaks before setting the toilet in place

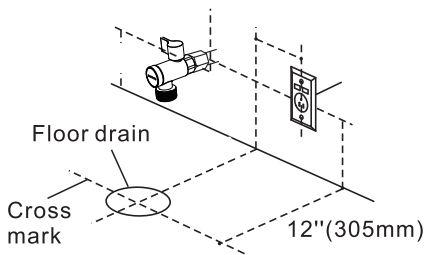
Option #3: Use existing valve (This method will reduce the water pressure and volume to the toilet and is not recommended unless one of the first two options cannot be achieved.)

1. Turn the water off at the toilet valve
2. Flush the toilet two or three times to reduce the amount of water in the toilet tank
3. Remove (Un-Thread) the supply line from existing toilet. (use a bowl and towel to catch any access water)
4. Remove the supply line from the existing shut off valve and replace it with a 3/8" to ½" FIP supply line. (Not Included)
<https://www.plumbersstock.com/supb1f09-38inx12x9-flex-faucet-supply-ss.html>

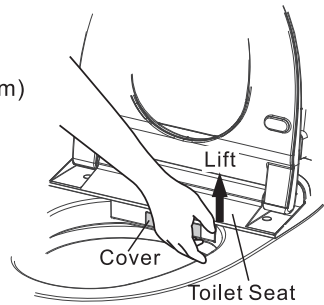
5. Thread new supply line onto the shut-off valve included in the box and tighten in place. (Do not use Teflon tape)
6. Make sure valve is shut off and turn the water back on to check for leaks before setting the toilet in place

#2 TOILET INSTALLATION

1. Make a cross mark on the floor drain (see below).

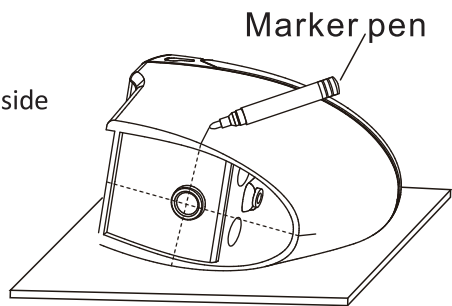


2. Lift the top of the toilet off from the interior back right.

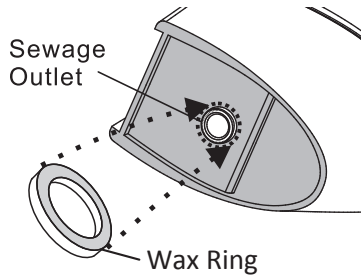


3. Gently flip the toilet on its side, placing it on the pre-prepared foam board.

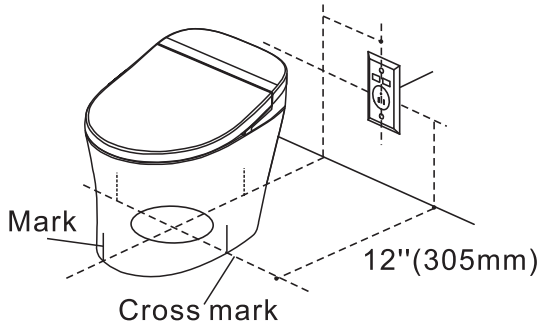
4. Make two marks on the side and front of the toilet perpendicular to the sewage outlet.



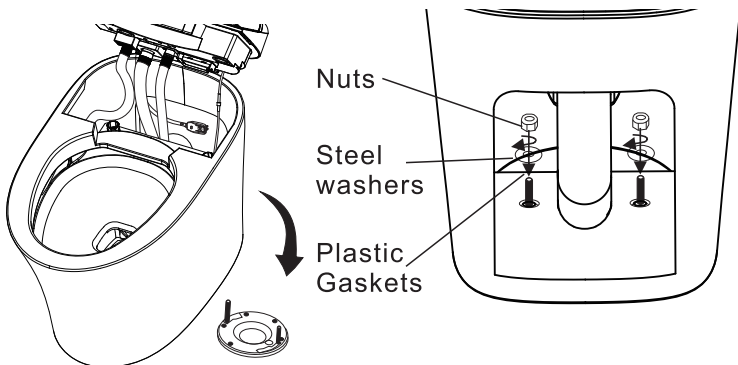
5. Install the wax ring under the toilet.



6. Using two people, lift the toilet and align the marks on the toilet bowl with the cross marks on the ground. Also confirm the holes in the bottom of the bowl align with the closet bolts.



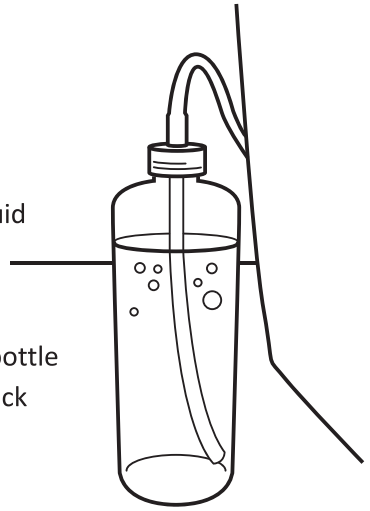
7. Place the washers over the closet bolts.
8. Use a wrench to lock nuts to the closet bolts.
- Warning! DO NOT OVER TIGHTEN! Over tightening may crack the porcelain base.



#3 INSTALLING EFOAM

Install the Efoam bottle before replacing the top cover. When it runs out, you can mix your own Efoam liquid solution with 3-5% of any liquid soap and water. To refill the Efoam:

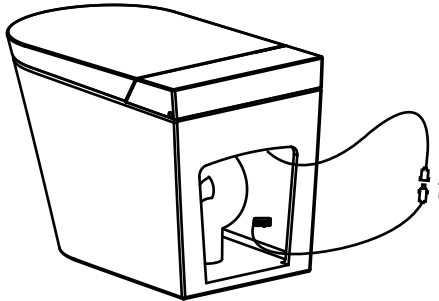
1. Find the bottle attachment cord in the back of the toilet and screw it to your bottle of Efoam. Place the bottle inside the back of the toilet.



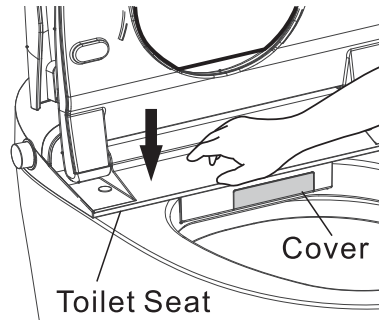
#4 INSTALLING THE BATTERY

The Emergency Battery Backup does not need to be permanently installed. We recommend only connecting it when there is no power to the toilet. You can leave it permanently connected, however the battery will slowly drain and need to be replaced periodically.

1. Take the cable out as illustrated below and connect it to the battery backup.

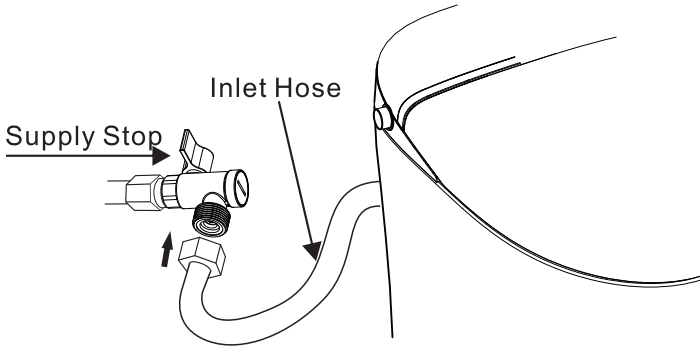


2. Reinstall the toilet seat-lid assembly to complete the toilet installation.



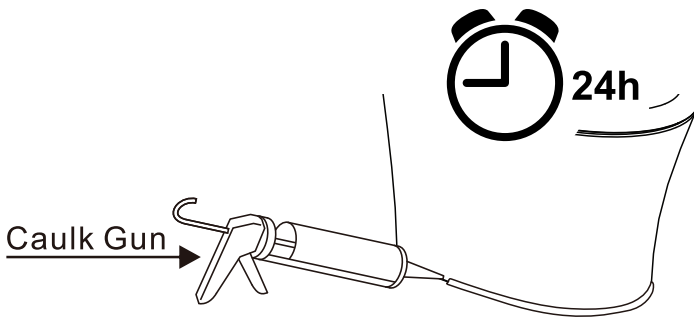
#5 CONNECT BRAIDED HOSE

1. Connect the braided hose to the angle valve installed on step 1.
2. After tightening by hand, turn the nut $\frac{1}{4}$ turn with a wrench.
3. Open the supply stop and check for leaks.



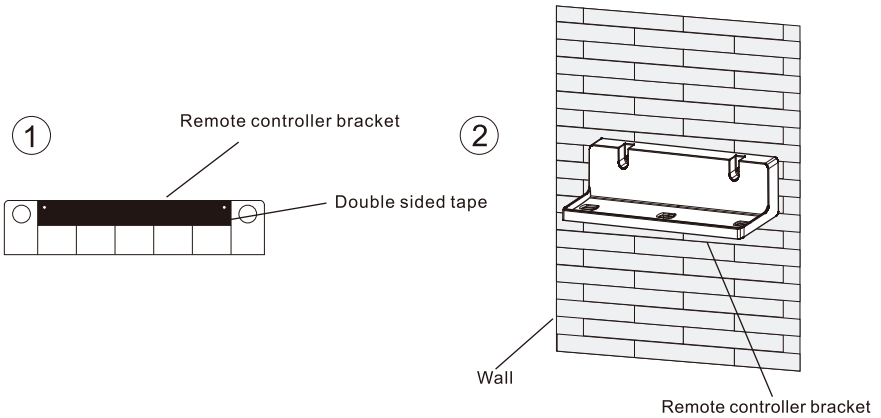
Caulk Application

Caulk the bottom edge of the toilet with a mildew-resistant caulk designed for indoor bathroom applications. This will help to keep the bowl in place and give the closet bolts added security and strength. Wait for 24 hours to dry.



Remote Installation

1. Clean and dry the area where you will place the holder.
2. Peel the double sided adhesive at the back of the bracket and stick it to the selected dry tile or glass strongly and evenly.
3. Wait 15 minutes.
4. Open the back cover of the remote and insert batteries.
5. Place the remote on the remote bracket.



Need Installation Support?

- A. Call us at 1-435-267-1496
- B. Email Us at support@troneplumbing.com
- C. Schedule a zoom call with us by scanning the QR code.



support@troneplumbing.com

www.troneplumbing.com