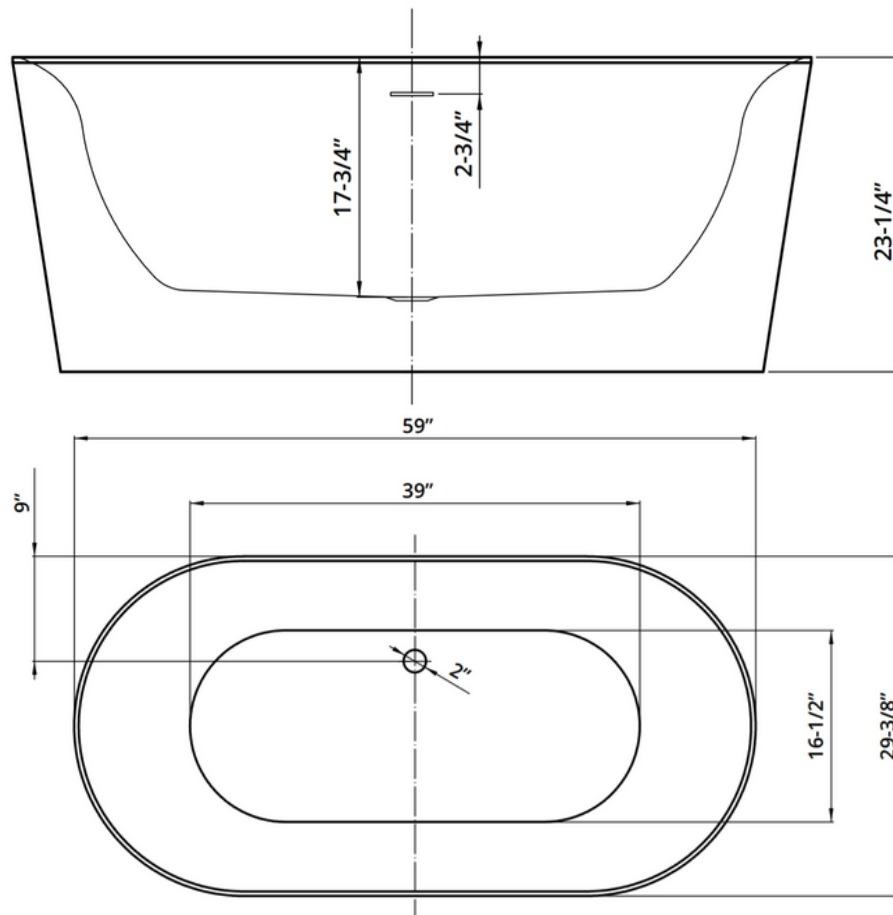


Features

- Soft curved, acrylic bath
- High gloss for easy cleaning
- Center drain

Specifications

| | |
|------------------|-----------------|
| Style: | Freestanding |
| Material: | Acrylic |
| Color: | Classic White |
| Length: | 59" |
| Width: | 30" |
| Height: | 23" |
| Capacity: | 55 gal. |
| Weight: | Weight: 80 lbs. |



These dimensions and specifications are subject to change without notice