



MATERIAL: handblown glass with an ancient 'gutnytstvo' technique.

COLOR: transparent.

Please kindly note that handcrafted items may slightly differ in shades and textures.

A gentle drop of water — glass candle holder hand blown with an ancient Ukrainian technique.

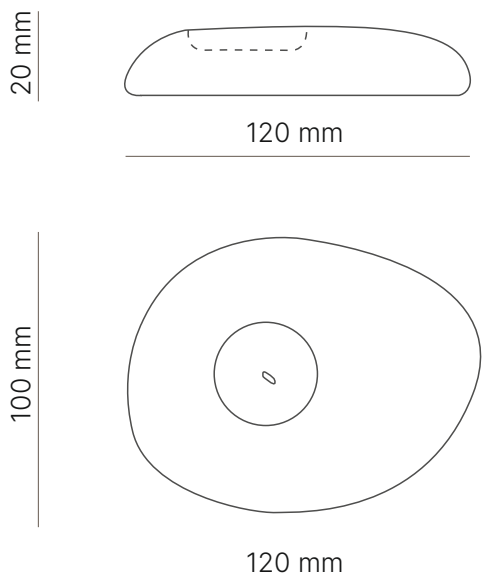
Plyn candle holder accomplished with handcrafted scented soy wax candle.

Only for indoor use.

DIMENSIONS: 120 x 100 x 20 mm

APPROXIMATEWEIGHT: 0,3 kg

PACKAGE: Cardboard boxes 220 x 160 x 60 mm, 1 kg



## TRANSPORTATION AND STORAGE:

The product should be transported and stored in the package in compliance with safety precautions to avoid mechanical damage and exposure to atmospheric precipitation.

## PRODUCT RECEIVING RULES:

Carefully inspect the product at the courier who delivered it. Pay attention to the configuration, the quality of the appearance of the product, the effect of transformation mechanisms (if any). Remember that accepting a product without specifying any flaws that may be detected when Purchasing the product (visible flaws) will deprive you of the right to refer to them in the future. Only after in section sign the act of acceptance of goods.

## ALLOWED AND ARE NOT THE DISADVANTAGES:

- a slight difference between the form and the photo of products. All of the FAÏNA items are created by craftsmen manually;
- slight color difference from photos of products;
- sizes of bubbles in glass may vary, due to the artistic approach to the product.

## BEFORE USE, READ THE FOLLOWING INFORMATION CAREFULLY:

- a slight difference in the shades of glass parts is possible;
- a slight difference in the size and shape of the decor parts is possible.

## RULES FOR OPERATING OF GLASS DECOR:

1. Do not use the glass decor on other purposes. Vase decor should stand upright on a flat surface.
2. Glass should be protected from various mechanical wrecks.
3. Follow the decor care rules specified in the warranty, in the passport and in the operating instructions.
4. Do not expose to unusual loads.
5. We recommend to use glass product as a décor. When you use glass décor as a vase do not leave the water inside for a long period. Change the water for the flowers every day.
6. Do not use cleaning or abrasive powders; there is a chance that they could scratch the glass. When purchasing cleaning and glass care products, pay attention to the composition of the products.
7. Do not wash glass décor in dishwashing machine.
8. Use tablecloth to put the glass decor to avoid scratches on delicate surfaces.



PLEASE NOTE THAT WHEN PACKING GLASS PRODUCTS IN ORDER TO PREVENT DAMAGE AND CONTAMINATION, ACCESSORIES ARE WRAPPED IN COTTON SACK. ALSO, DECOR ITEMS ARE PLACED IN CARDBOARD BOXES. UNPACK THE FURNITURE CAREFULLY!

## CARE RULES:

- The main care rule is to wipe the dust with a dry cloth and only touch the surface with a soft cloth - flannel, velvet, suede or special rags, the packaging of which says "for decor or furniture".

Keep away from acetone, solvents and other chemical and cleaning agents. Glass products should be protected from various mechanical wrecks.

Follow the decor care rules specified in the warranty, in the passport and in the operating instructions.

Decor items must be installed on level surfaces. Do not expose furniture to unusual loads.

Do not use cleaning or abrasive powders;

When purchasing cleaning and glass care products, pay attention to the composition of the products.

## CARE RULES:

The main care rule is to wipe the dust with a dry cloth and only touch the surface with a soft cloth — flannel, velvet, suede or special rags, the packaging of which says "for decor or furniture".

In some rare cases, you can partially wipe the decor with a damp cloth slightly moistened with water and soap.

Removal of local contaminants (spots) must be done immediately, not allowing them to dry. Do not try to scrape away dried spots.

**IMPORTANT!** When choosing a detergent, it is necessary to familiarize yourself with the instructions for its use or consult with specialists of specialized enterprises.

## WARRANTY:

The warranty period for the operation of ceramic products is 12 months and is calculated from the date of sale specified in the warranty card, and in the absence thereof from the date of shipment from the warehouse.

**NOTE!** Unreasonable CALL for service is paid by the Buyer.

Free maintenance (repair) occurs during the warranty period, subject to the conditions of transportation, operation and recommendations for the care of the furniture.

Free warranty repair applies to decor defects arising from the fault of the manufacturer. Insufficiencies in the work performed that can be detected upon receipt of the product (claims regarding the appearance of the product, lack of completeness, as well as inconsistencies in the order, etc.) are accepted only upon receipt of the product and provided that the unpacking was carried out by courier. Further in the future, such claims are not accepted, all work is carried out only at the expense of the buyer.

**NOTE!** Unreasonable CALL for service is paid by the Buyer.

## TERMS AND CONDITIONS OF DISCLAIMER:

The manufacturer reserves the right to refuse warranty repair and maintenance and qualify it as paid in the following cases: in the absence of this passport for the product.

Attention! In case of loss, the passport is not restored;

on furniture with visible defects at the time of purchase, which should have been noticed by the consumer;

furniture with defects that arose due to the fault of the consumer, due to damage from loads exceeding the established norms;

if product defects have arisen as a result of a consumer's violation of the operating rules and care recommendations;

damage to the product and its loss as a result of natural factors (fires, floods, earthquakes, accidents, etc.);

if the furniture has mechanical damage that occurred during improper use;