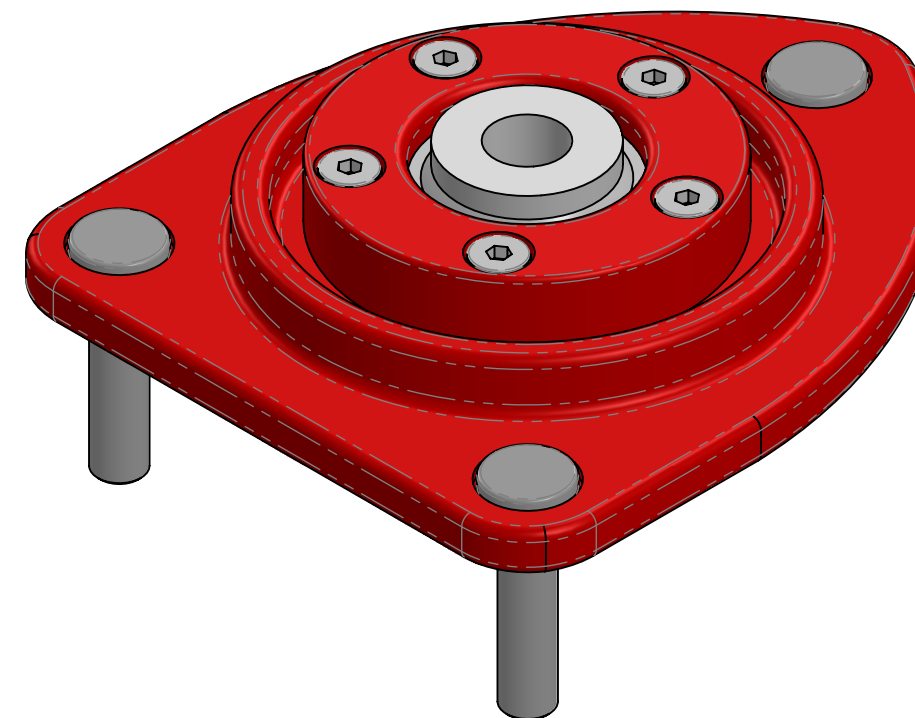
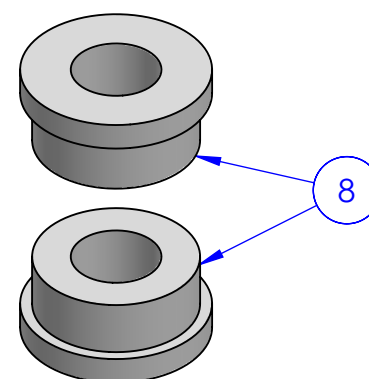


OEM STYLE SHOCK SPACERS



RACE STYLE SHOCK SPACERS



NOTE *FOR RACE STYLE SHOCKS, SPCR78-07 USED IN PLACE OF SPCR78-14 AND SPCR 78-15*

ITEM NO.	PART NUMBER	DESCRIPTION	QTY.	NOTES
1	991RSMHS-01	HOUSING, 991 R STRUT MOUNT	2	
2	63195K21	SPHERICAL BEARING, COM-14	2	
3	996RTCP	RETAINER CUP, 996 C-PLT BEARING	2	
4	M5X20LHD	M5-.08 X 20 SOC LOW HD	10	TORQUE TO 45 IN/LBS APPLY BLUE LOCTITE TO THREADS
5	M8X35STD	M8-1.25 X 35 PRESS-IN STUD	6	PRESS FLUSH WITH COUNTERBORE
6	SPCR78-14	SPACER, 991R LOWER	2	USED WITH OEM STYLE SPRING
7	SPCR78-15	SPACER, 991R TOP	2	USED WITH OEM STYLE SPRING
8	SPCR78-07		4	USED FOR RACE STYLE COILOVERS/SPRINGS

NOTES: UNLESS OTHERWISE SPECIFIED

PROPRIETARY NOTICE
INFORMATION CONTAINED ON THIS DRAWING IS PROPRIETARY TO TARETT ENGINEERING AND MAY NOT BE COPIED, REPRODUCED NOR PARTS MADE THEREFROM WITHOUT WRITTEN PERMISSION FROM TARETT ENGINEERING.

TARETT
ENGINEERING

TITLE:
991 REAR SHOCK MOUNT

SIZE: **B** PART NO.: **991RSMT** REV:
SCALE: N/A SHEET 1 OF 1