

Clayton® Pedestal Lavatory

FEATURES

- 27" x 19-5/8"
- Traditional styling
- Rear overflow
- Vitreous china pedestal and lavatory combination complete with mounting hardware

MODELS

- LPT780
Pedestal lavatory with single hole
- LPT780.4
Pedestal lavatory with 4" faucet centers
- LPT780.8
Pedestal lavatory with 8" faucet centers
- Available Components:
 - LT780
Lavatory with single hole
 - LT780.4
Lavatory with 4" faucet centers
 - LT780.8
Lavatory with 8" faucet centers
 - PT780
Pedestal only, with mounting hardware

COLORS/FINISHES

- #01 Cotton
- #03 Bone
- #11 Colonial White
- #12 Sedona Beige
- #51 Ebony



Faucet sold separately

CODES/STANDARDS

- Meets and exceeds ASME A112.19.2/CSA B45.1
- Certifications: IAPMO(cUPC), State of Massachusetts and others
- Code compliance: UPC, IPC, NSPC, NPC Canada, and others
- Complies with CA Prop 65 warning requirements



PRODUCT SPECIFICATION

The lavatory shall be 27" length and 19-5/8" depth. The basin shall be 19-1/2" length and 11-1/4" width. The lavatory shall be made of vitreous china and be with rear overflow. Lavatory shall be TOTO Model LPT780_____.

LPT780

Clayton® Pedestal Lavatory

SPECIFICATIONS

- Waste 1-1/4" O.D.
- Size 27" L x 19-5/8" D
- Basin 19-1/2" L x 11-1/4" W
- Warranty One Year Limited Warranty
- Material Vitreous china
- Shipping Weight LT780/LT780.4/LT780.8 43 lbs.

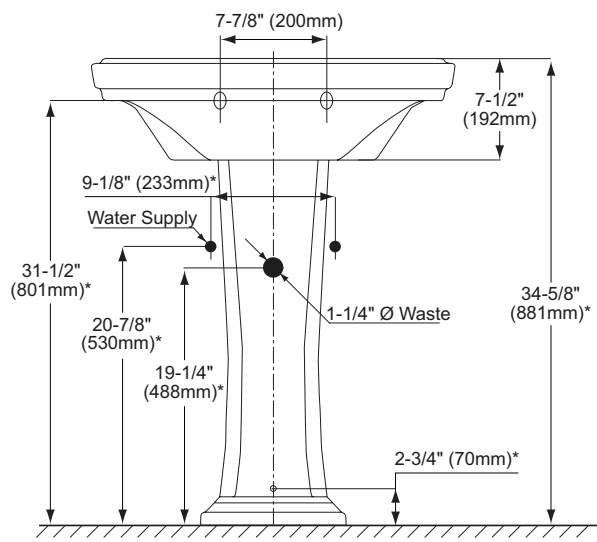
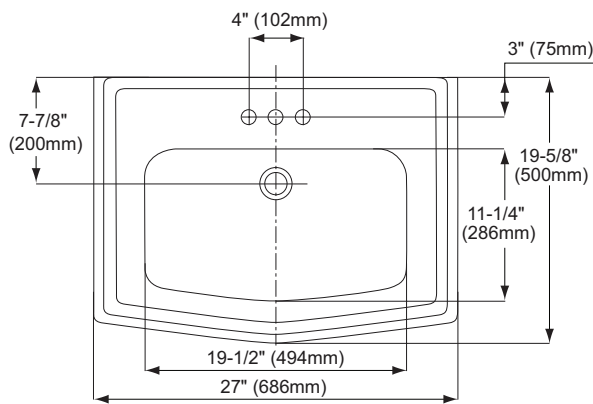
PT780
28 lbs.

- Shipping Dimensions LT780/LT780.4/LT780.8 20" L x 9" W x 27-1/2" H

PT780
9-1/2" L x 11" W x 28-1/2" H

INSTALLATION NOTES

Requires PT780 pedestal for support. Use proper back support to mount product.



*Suggested Dimensions