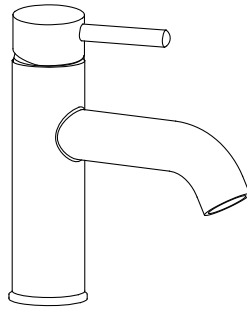


INSTALLATION GUIDE

SINGLE HOLE BATHROOM SINK FAUCET



Solid Brass Construction
Ceramic Cartridge
Easy Installation

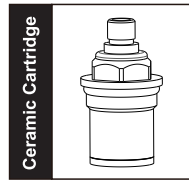
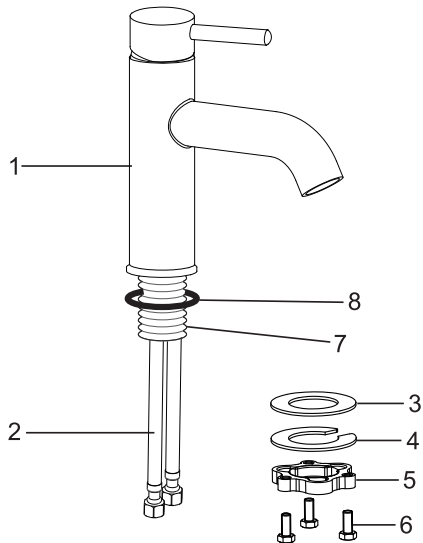
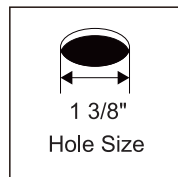


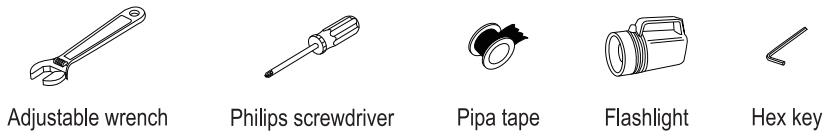
DIAGRAM & PARTS LIST



1. Faucet body
2. Hot & cold hoses
3. Rubber washer
4. Metal washer
5. Lock nut
6. Screw
7. Pipe
8. O-ring



RECOMMENDED TOOLS



Adjustable wrench

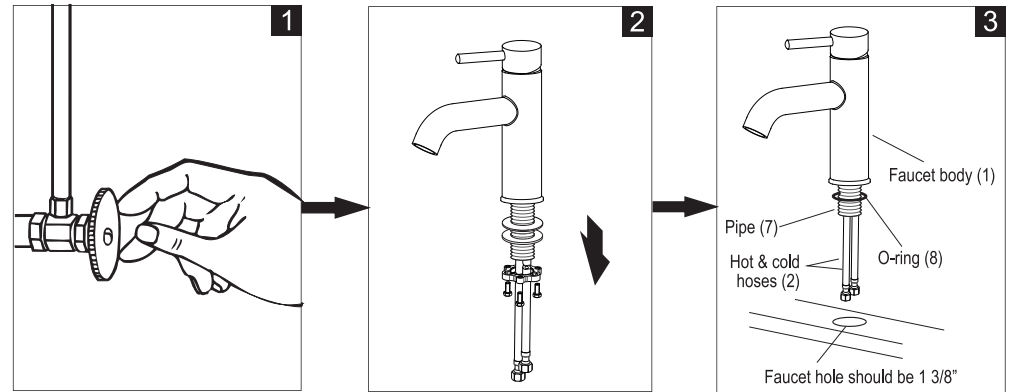
Philips screwdriver

Pipa tape

Flashlight

Hex key

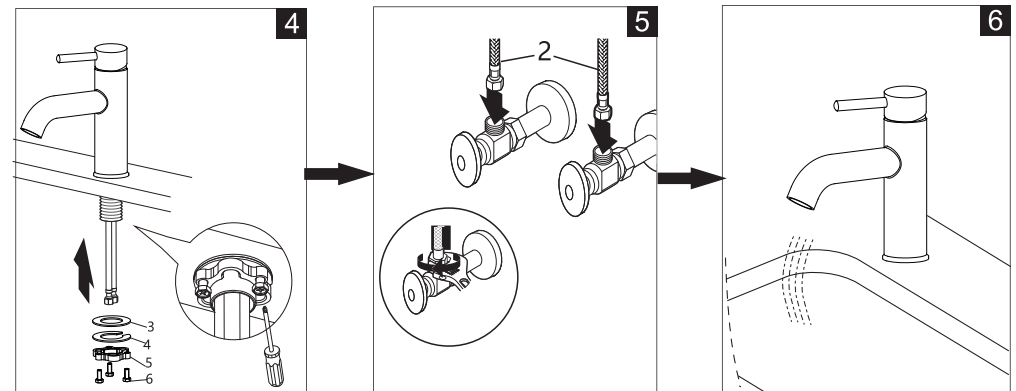
ASSEMBLY INSTRUCTIONS



1. Shut off hot and cold water supply underneath the sink. Remove the old faucet.

2. Unscrew the pre-assembled washers (3,4), lock nut (5) and screw (6).

3. Thread the bottom of the faucet through the O-ring (8) and place the faucet in the installation hole.



4. Underneath the sink, thread the rubber washer (2) and metal washer (3) onto the pipe and screw with the lock nut (5) and screw (6).

5. Connect the supply hoses to the valves and tighten. Check for any leaks.

6. Turn on the hot and cold water supply. Check for leaks. Turn on the faucet by lifting the handle for one minute to flush debris from the faucet.