

### AudioSteam & Audio@Home

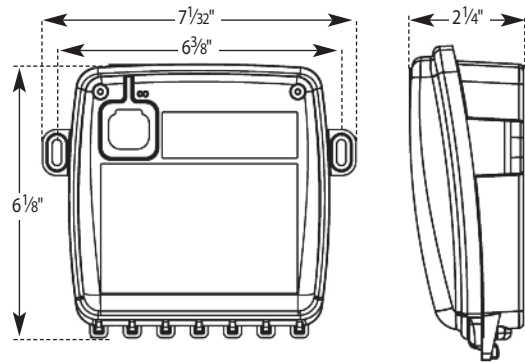
The MusicTherapy® sound system is the perfect way to introduce music into your steam room or shower. The MusicTherapy is easy to install and is compatible with many audio sources such as portable music players and smart phones equipped with Bluetooth®.

The AudioSteam can be controlled with the iSteam3 steambath control. Audio@Home is controlled by a smart phone or tablet.

Just pair your Bluetooth® device and start playing your favorite music. Digital files or internet radio from your audio device will be streamed wirelessly.

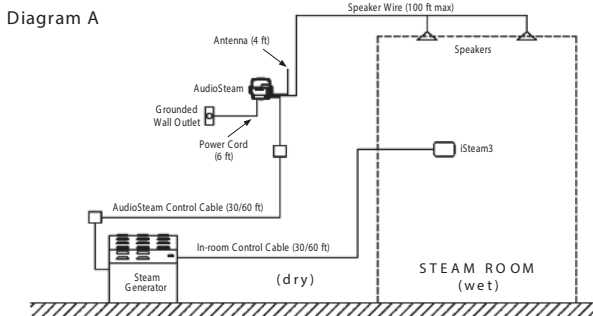
**⚠ WARNING** DO NOT connect speaker ground wires together. DO NOT bridge channels

#### Dimensions

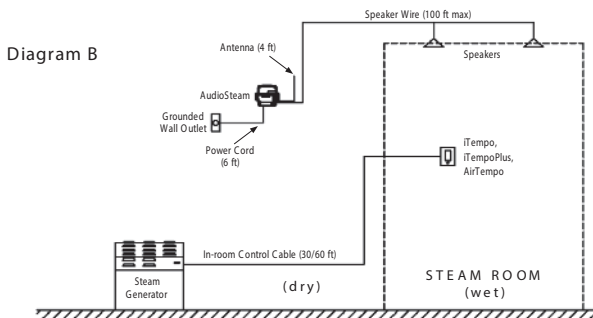


### Control Options for the AudioSteam

#### A. Operating the AudioSteam with the iSteam3 control.



#### B. Operating the AudioSteam with the iTempo, iTempoPlus and AirTempo stand-alone control.



### Locating the AudioSteam/Audio@Home

- The AudioSteam control cable is 30ft and the power cord is 6ft, ensure the and AudioSteam are located accordingly. Only Audio@Home has a 6 ft. power cord.
- Locate in a dry location where the wireless signal will not be interrupted.
- Test Bluetooth® signal before mounting AudioWizard.

**⚠ WARNING** ELECTRIC SHOCK HAZARD!  
To reduce the risk of fire or electric shock, do not expose this apparatus to rain or moisture. DO NOT install AudioSteam in the steam room or any location where it may become wet.

#### Environmental Ratings

Operating temperature: -4 °F to 140 °F  
Storage temperature: -22 °F to 185 °F  
Humidity: 70% max  
Water resistance: IPX5

Subwoofer output only available on AudioSteam Model MSAS3

#### Mechanical

Weight: 3.6 lb  
Dimensions (W x H x D): 9.81" x 2.58" x 8.88"

#### Line Input

Input Voltage: 100-240 VAC 50-60Hz

#### Auxiliary Inputs

Maximum number of inputs: 1  
Connection Type: 1/8" (3.5mm) stereo jack

Maximum voltage: 2.2 Vpp

Impedance: 100 Kohms

#### Audio Outputs

Max number of speakers: 4

Max number of subwoofers: 1

Audio Amplifier Type: Class D

Output Power (speaker): 25 WRMS, 50W PEAK

Output Power (subwoofer): 50 WRMS, 100W PEAK

Output Impedance (speaker): 4-8 Ohm

Output Impedance (subwoofer): 2-4 Ohm

Harmonic Distortion (speaker): 0.015% at 1W (1KHz)

Harmonic Distortion (subwoofer): 0.015% at 1W (100Hz)

Frequency response (speaker): 5Hz to 20 KHz F

Frequency response (subwoofer): 10Hz to 200 Hz

**FOR ILLUSTRATIVE PURPOSES ONLY. IMPORTANT NOTE: FOR SAFE AND TROUBLE FREE INSTALLATION visit mrsteam.com before installation to download the Installation, Operation and Maintenance Manual or refer to the manual provided with the unit.**

MODEL	PROJECT INFORMATION	
<input type="checkbox"/> MSAS3 (for use with iSteam3 only)	Location:	Contractor:
<input type="checkbox"/> MSAH (stand alone)	Architect:	Submitted By:
	Engineer:	Date:
Notes:		