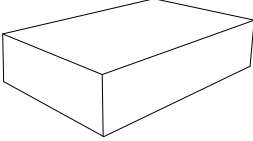

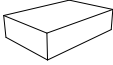



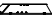


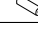


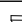


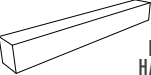


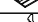

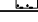
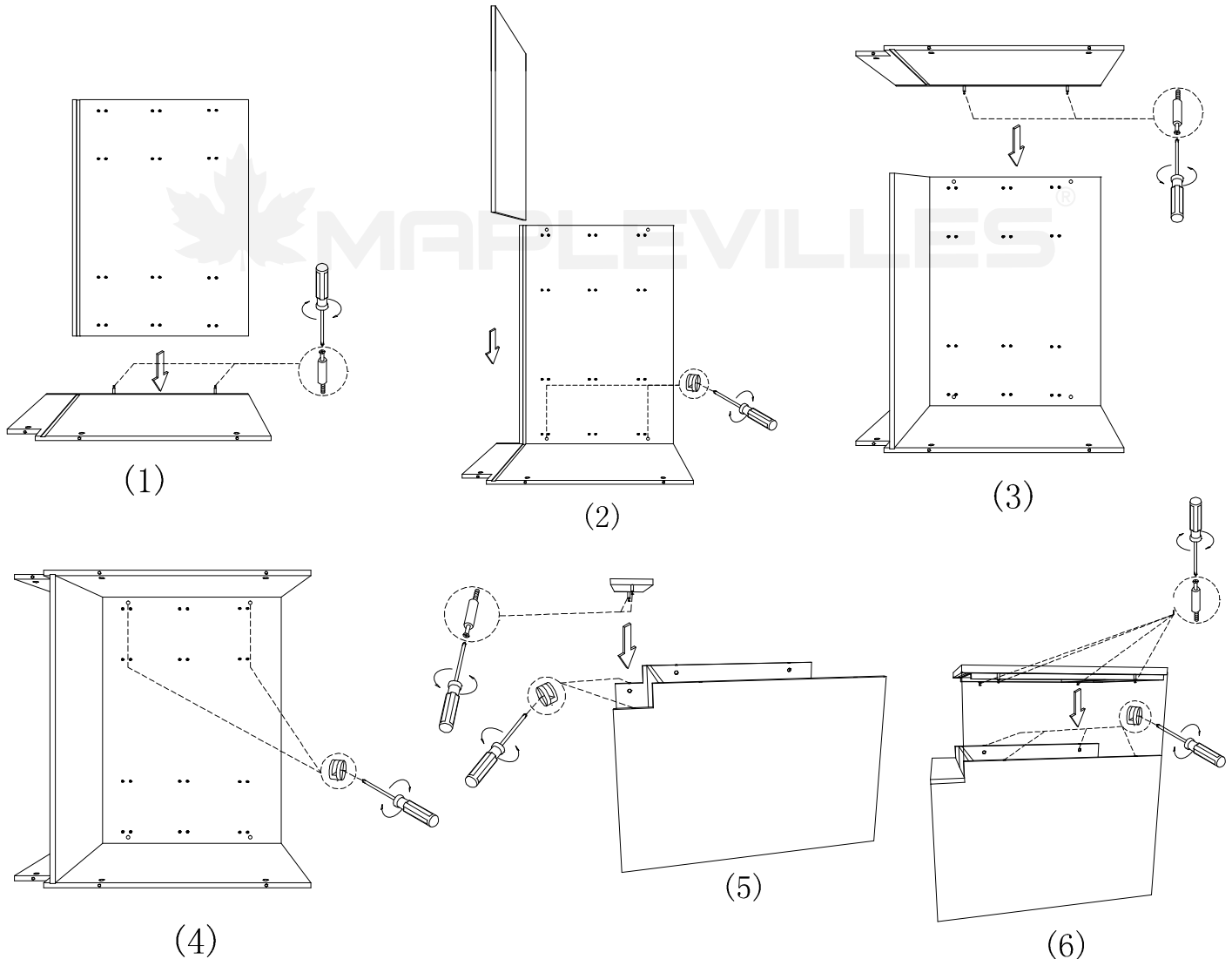


# ASSEMBLY INSTRUCTIONS

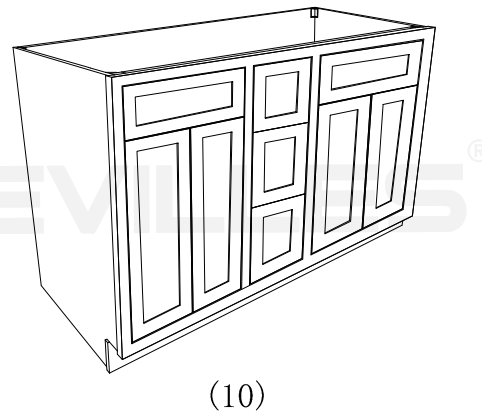
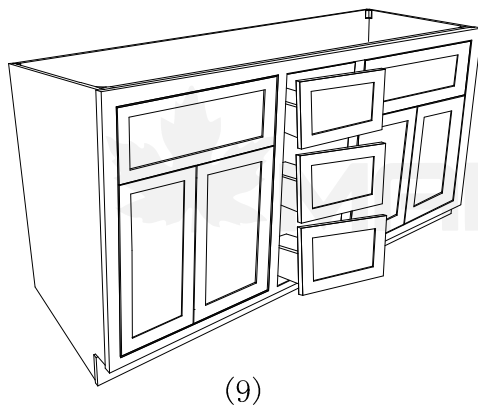
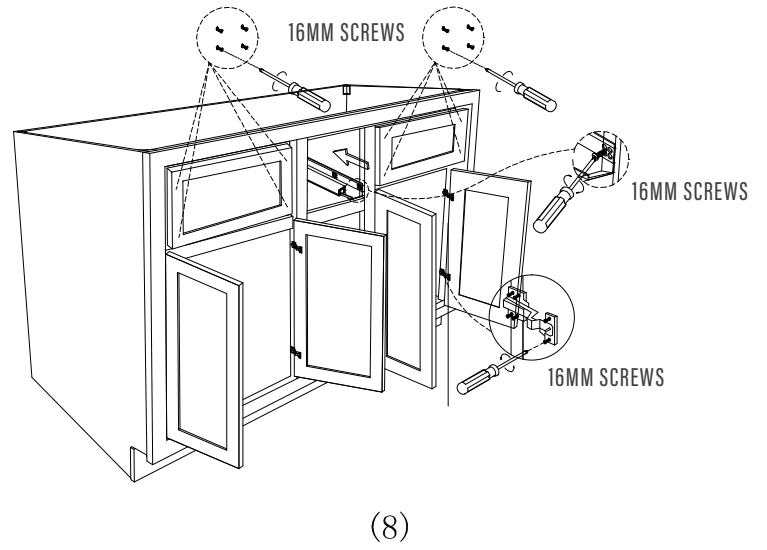
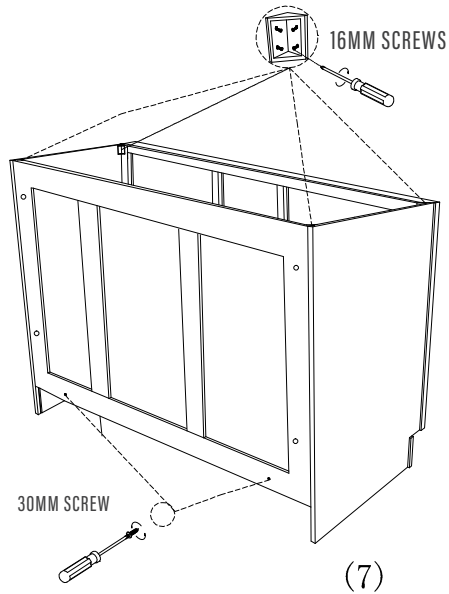
## INSET VANITY W/ CENTER DRAWERS | VCD60

| PACKAGING   | ITEM  | ITEM CODE  | QTY | PACKAGING  | ITEM   | DESCRIPTION   | QTY               |   |
|---|---|--|-----|--|--|---|-------------------|---|
|  |  | TOOLS REQUIRED:<br>1. PHILLIPS SCREWDRIVER<br>2. DRILL |     | <br>HARDWARE BOX |                   | HINGES  | 4                 |   |
|   |  | A-1  | 1   |  |                   | CAM LOCK  | 10                |   |
|   |  | A-2  | 1   |  |                   | 16MM SCREW  | 32                |   |
|   |  | F B  | 1   |  |                   | CAM LOCK SCREW  | 10                |   |
|   |  | C  | 1   |  |                   | 30MM SCREW  | 2                 |   |
|   |  | D  | 1   |  |                   | SHELF HOLDER  | 4                 |   |
|   |  | E  | 1   |  | <br>DRAWER HARDWARE |  | DRAWER TRACK      | 6 |
|   |  | J  | 5   |  |  |  | REAR TRACK HOLDER | 6 |
|   |  | H  | 4   |                 |  | TRACK CLIPS   | 6                 |   |



# ASSEMBLY INSTRUCTIONS

## INSET VANITY W/ CENTER DRAWERS | VCD60



| ITEM | ITEM CODE  | QTY |
|------|------------|-----|
|      | J-2        | 3   |
|      | J-3        | 3   |
|      | J-1        | 3   |
|      | J-4        | 3   |
|      | TRACK CLIP | 6   |

