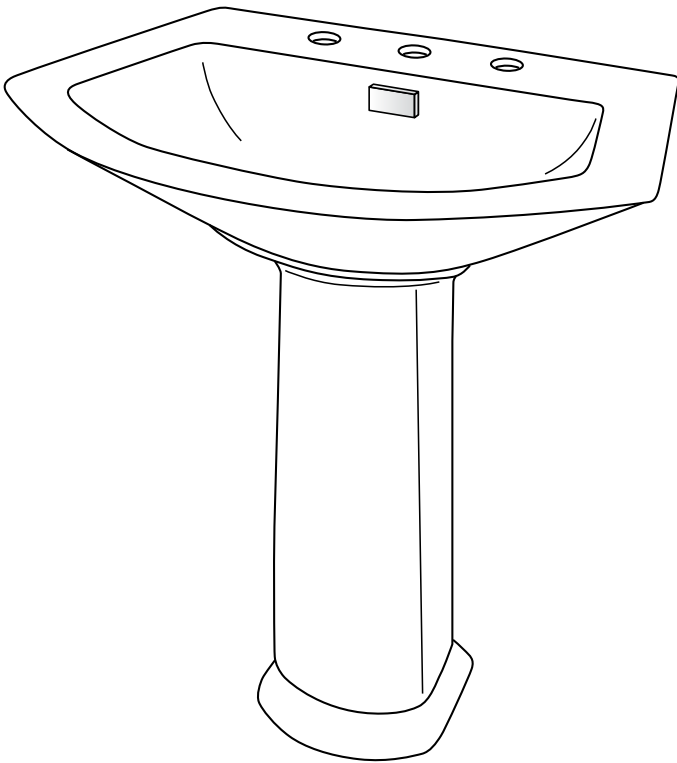


**Pedestal Lavatory**



## TABLE OF CONTENTS

Thanks for Choosing TOTO®!.....	3
Warnings.....	3
Before Installation.....	3
Installation Procedure.....	4
CEFIONTECT® Cleaning Instructions .....	5
Warranty.....	6

## THANKS FOR CHOOSING TOTO!

The mission of TOTO is to provide the world with healthy, hygienic and more comfortable lifestyles. We design every product with the balance of form and function as a guiding principle. Congratulations on your choice.

## WARNINGS



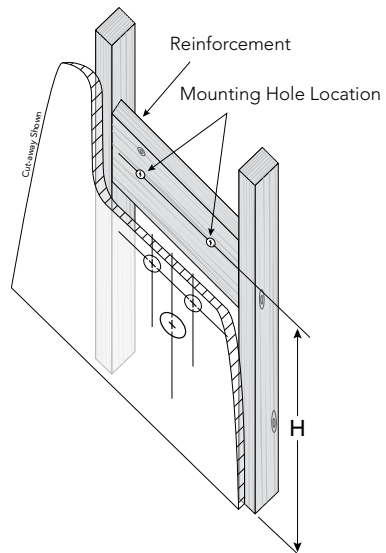
**WARNING**

When this symbol appears in the manual, it is alerting you of potential misoperations that may cause personal injury and/or property damage.

## BEFORE INSTALLATION

If you are installing this product in a new construction or remodel, please make sure you are following all local plumbing and building codes. Carefully unpack and examine your new fixture for damage. To help ensure that the installation process will proceed smoothly and correctly, please read these instructions carefully before you begin.

- Provide proper reinforcement, such as a brace, between the studs of the wall to help support the lavatory.
- Install the brace at the proper height (H), which corresponds to the lavatory mounting hole locations.
- For best results, the floor must be level and the wall must be square with the floor.



## INSTALLATION PROCEDURE

- 1) Place the lavatory and pedestal into the installed position. Make sure the product is level when placed against the wall. Carefully mark the mounting hole locations for the lavatory and pedestal (see Illustration 1).

NOTE: To help recall the lavatory and pedestal positions, trace a line along the sides and top edge of the lavatory and along the base of the pedestal (see Illustration 1).

Carefully remove the lavatory and then the pedestal.

- 2) Drill the pilot holes for the lavatory and pedestal screw locations (see Illustration 2).

Install the pedestal mounting hardware. Place a metal washer onto the bolt and insert the bolt through the mounting bracket and the pedestal brace. Install the other metal washer onto the bolt and then the nut. Tighten this connection securely.

Return the pedestal to the position marked on the floor. Install the pedestal bracket to the floor using the three supplied screws (see Illustration 3).



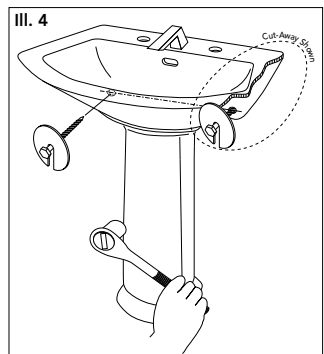
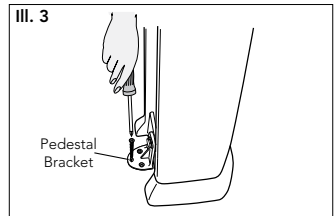
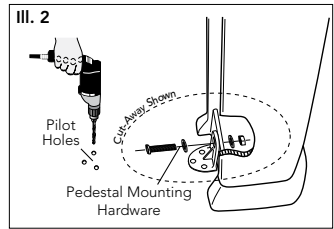
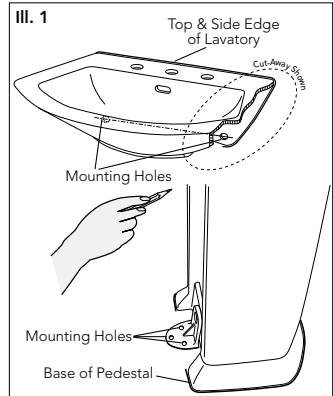
WARNING

**DO NOT OVERTIGHTEN.** Overtightening may damage the products and cause personal injury and/or property damage.


- 3) Install the faucet and drains (not supplied) per the manufacturer's installation instructions.

NOTE: For 8" widespread faucet fixtures, only install the spout assembly at this time. The hot & cold faucet valves can be installed at a later time.

Screw the bolts to the pre-drilled holes in the wall (see Illustration 4). Leave 1-1/4" of the bolts protruding from the wall. Place the lavatory into position on the pedestal with the mounting holes sitting on the protruding bolts, matching the marks on the wall. Place a slotted flat metal washer onto the bolts and tighten the bolts to secure the lavatory to the wall.



## INSTALLATION PROCEDURE

 **DO NOT OVERTIGHTEN.** Overtightening may damage the products and cause personal injury and/or property damage.

**WARNING**

**NOTE:** You may install the 8" widespread hot and cold faucet valves at this time.

- 4) Connect the water supply to the faucet according to the faucet instructions. Connect and tighten the trap to the drain.

Turn on the water supplies to the faucet. Purge the air from the hot and cold water by running the water for a few seconds.

Fill the lavatory with water. Check the leaks at the water supply and drain connections.

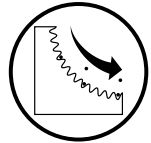
ENGLISH

## CEFIONTECT® CLEANING INSTRUCTIONS



### WHAT IS CEFIONTECT®?

CEFIONTECT® is TOTO's super-smooth permanent glaze that prevents debris from sticking to surfaces. Products with the letter "G" in the number have the CEFIONTECT® glaze. This glaze, along with regular cleaning, will help keep your TOTO product in pristine condition.



No CEFIONTECT®

### NOTE:

For best results to keep your TOTO product with CEFIONTECT® clean:

- Lavatory: Use a mild dish detergent with a clean, soft cloth.
- Toilet: Use a gel based cleaner with a soft bristled-plastic brush.
- **Don't use** cleaners, polishing powders or detergents that have gritty or coarse particles.
- **Don't use** bleach, chemical thinners or products that have acid or alkaline detergents listed as ingredients.
- **Don't use** metal scrub brushes or steel wool.



With CEFIONTECT®



Following these instructions will ensure that your TOTO product with the CEFIONTECT® glaze will always stay intact, keeping your product like new for years to come!