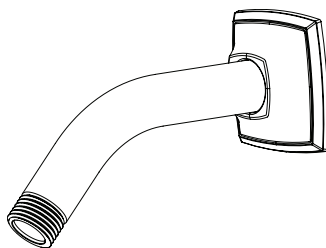
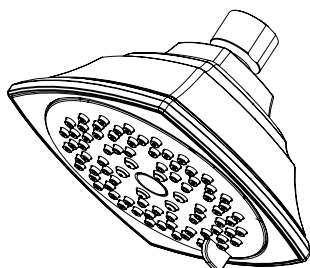


**Showerhead and Arm**

**TRADITIONAL COLLECTION  
SERIES B**



**TS301N6**



**TS301A51  
TS301A61  
TS301AL51  
TS301AL61**

**TS301A55  
TS301A65  
TS301AL55  
TS301AL65**

**TABLE OF CONTENTS**

Thanks for Choosing TOTO! ..... 2  
 Care & Cleaning..... 2  
 Warnings..... 2  
 Common Tools Needed..... 2  
 Before Installation..... 3  
 Installation Procedure..... 3  
 Warranty..... 4  
 Rough-In Dimensions ..... 11-12

**THANKS FOR CHOOSING TOTO!**

The mission of TOTO is to provide the world with healthy, hygienic and more comfortable lifestyles. We design every product with the balance of form and function as a guiding principle. Congratulations on your choice.

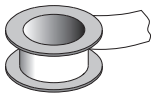
**CARE & CLEANING**

Your new showerhead is designed for years of trouble-free performance. Keep it looking new by cleaning it periodically with mild soap, rinsing thoroughly with warm water and drying with a clean, soft cloth. Do not use abrasive cleaners, steel wool or harsh chemicals, as these will dull the finish. Failure to follow these instructions may void your warranty. If any nozzles become clogged with mineral build up, rub gently with finger tips to clean.

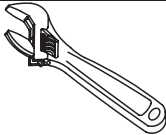
**WARNINGS**

- For safe operation, please observe the following:
- Recommended operating pressure:
    - Minimum pressure.....20 psi (0.14 MPa), dynamic
    - Maximum pressure.....80 psi (0.55 MPa), static
  - Hot water supply temperature must not exceed 160°F (71°C).
  - Do not use steam for hot water supply.
  - Do not use the product at an ambient temperature below 32°F (0°C).

**COMMON TOOLS NEEDED**



Pipe Tape

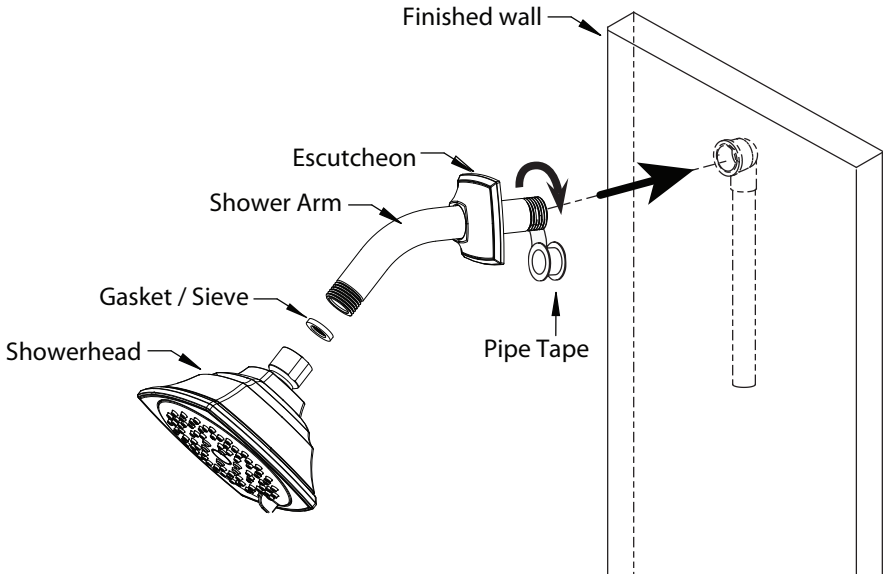


Adjustable Wrench

## BEFORE INSTALLATION

- Observe all local plumbing codes.
- Make sure the water supply is shut off.
- Read these instructions carefully to ensure proper installation.
- TOTO reserves the right to update product design without notice.

## INSTALLATION PROCEDURE



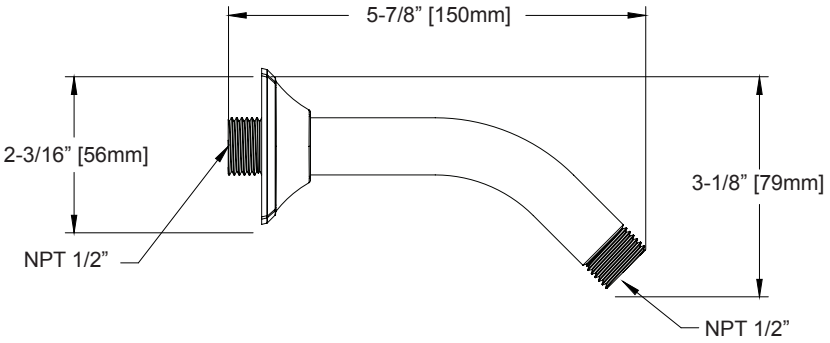
NOTE: Thoroughly clean and remove debris from the water supply pipe before installation to prevent clogging the spray outlet.

**NOTE:** Do NOT twist showerhead to install shower arm.

- Slide escutcheon onto the shower arm.
- Wrap the shower arm threads with pipe tape. Screw the shower arm into the supply elbow.
- Ensure the gasket/sieve is in the pivot ball before installation.
- Thread the showerhead onto the shower arm by hand.
- Use an adjustable wrench to tighten the showerhead to the shower arm firmly enough to seat the gasket and prevent leaking.

**ROUGH-IN DIMENSIONS / DIMENSIONES PRELIMINARES /  
DIMENSIONS BRUTE**

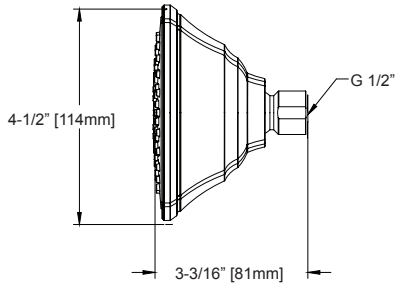
**Traditional Collection  
Series B  
TS301N6**



**ROUGH-IN DIMENSIONS / DIMENSIONES PRELIMINARES /  
DIMENSIONS BRUTE**

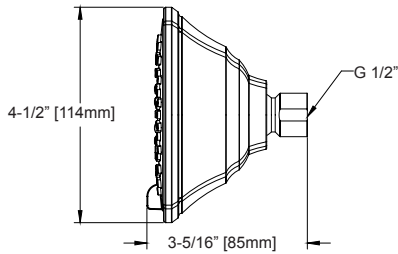
**Traditional Collection  
Series B  
4.5" Single Spray**

**TS301A51  
TS301AL51**



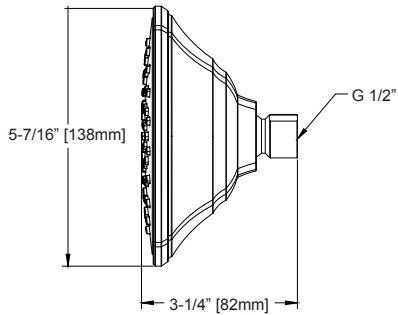
**Traditional Collection  
Series B  
4.5" Multi spray**

**TS301A55  
TS301AL55**



**Traditional Collection  
Series B  
5.5" Single Spray**

**TS301A61  
TS301AL61**



**Traditional Collection  
Series B  
5.5" Multi Spray**

**TS301A65  
TS301AL65**

