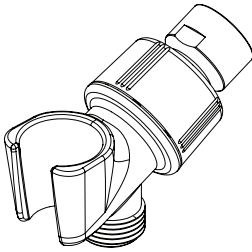
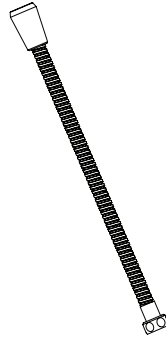


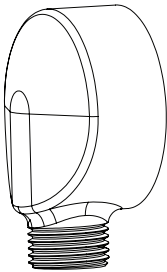
Handshower Accessories



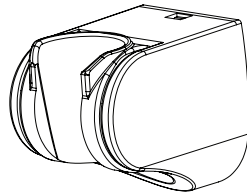
TS101S



TS101W60



TS101R



TS101V

TABLE OF CONTENTS

Thanks for Choosing TOTO! 2
 Care & Cleaning..... 2
 Warnings..... 2
 Before Installation..... 2
 Common Tools Needed..... 3
 Installation Procedure..... 3-4
 Warranty..... 5
 Rough-In Dimensions 14-15
 Spare Parts..... 15

THANKS FOR CHOOSING TOTO!

The mission of TOTO is to provide the world with healthy, hygienic and more comfortable lifestyles. We design every product with the balance of form and function as a guiding principle. Congratulations on your choice.

CARE & CLEANING

Your new handshower accessories are designed for years of trouble-free performance. Keep them looking new by cleaning them periodically with mild soap, rinsing thoroughly with warm water and drying with a clean, soft cloth. Do not use abrasive cleaners, steel wool or harsh chemicals, as these will dull the finish. Failure to follow these instructions may void your warranty.

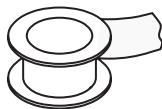
WARNINGS

- For safe operation of the handshower, please observe the following:
- Recommended operating pressure:
 - Minimum pressure.....20 psi (0.14 MPa), dynamic
 - Maximum pressure.....80 psi (0.55 MPa), static
 - Hot water supply temperature must not exceed 160°F (71°C).
 - Do not use steam for hot water supply.
 - Do not use the product at an ambient temperature below 32°F (0°C).

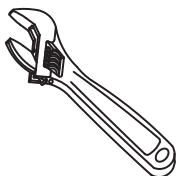
BEFORE INSTALLATION

- Observe all local plumbing codes.
- Make sure the water supply is shut off.
- Read these instructions carefully to ensure proper installation.
- TOTO reserves the right to update product design without notice.

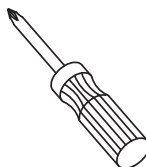
COMMON TOOLS NEEDED



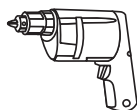
Pipe Tape



Adjustable Wrench



Screwdriver



Drill



1/4" or 3/32"
Drill Bit

INSTALLATION PROCEDURE - TS101R

1) Wall outlet:

Install a 1/2" NPT male nipple (not included) 1/2" beyond the finished wall surface.

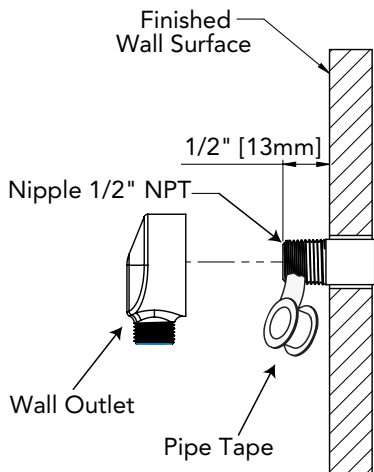
NOTE: The hole for the nipple should not be larger than 1" (25mm) in diameter.

Seal wall opening around 1/2" nipple with caulk.

Wrap the threads of the nipple with pipe tape.

Thread the wall outlet on by hand until the outlet points straight down and has made contact with the wall.

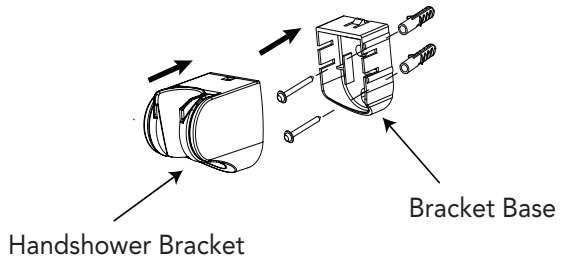
A screwdriver may be inserted into the outlet hole to provide extra leverage while tightening.



INSTALLATION PROCEDURE -TS101V

2) Handshower bracket:

Attach the handshower bracket to the wall in the desired location using the included hardware and wall anchors (if necessary).

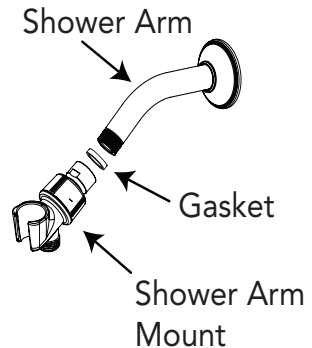


NOTE: For hollow wall installation, drill 1/4" holes for insertion of anchors. For installation directly to a stud, drill 3/32" pilot holes. Anchors should not be used if attaching to a wall stud.

INSTALLATION PROCEDURE -TS101S

3) Shower arm mount:

Connect the shower arm mount to a pre-installed shower arm. Ensure the gasket/sieve is present. Connect the hex nut end of the hose to the bottom opening of the shower arm mount.

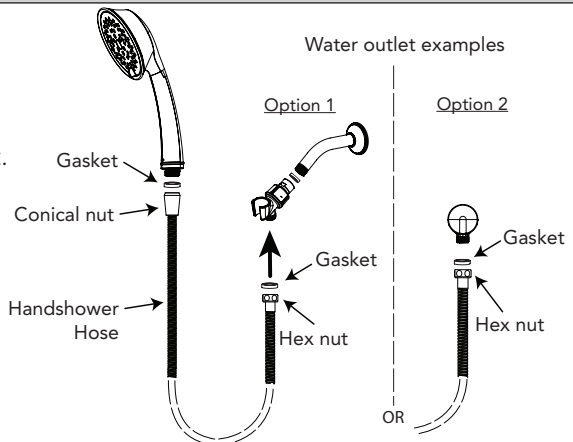


Attach conical nut end of hose to the handshower ensuring the gasket/sieve are present and place the hand shower in the bracket.

INSTALLATION PROCEDURE - TS101W60

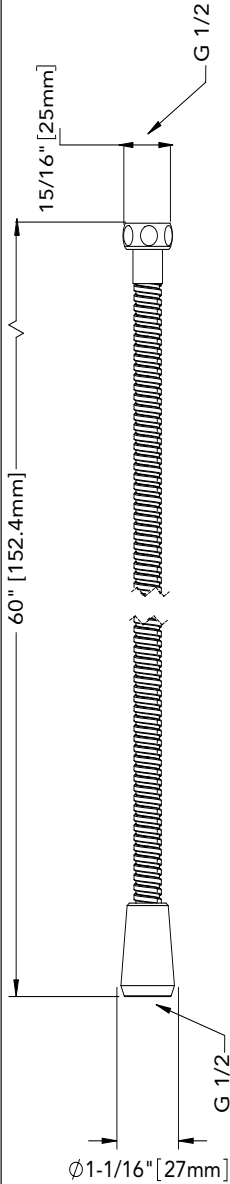
4) Handshower hose:

NOTE: Only one (1) gasket per location shown, do not add if gasket already present.

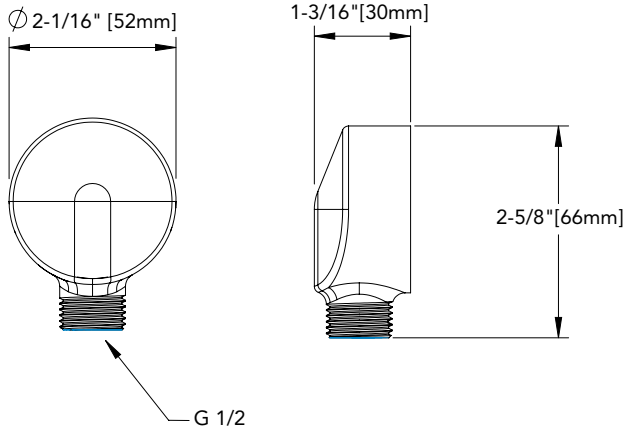


ROUGH-IN DIMENSIONS / DIMENSIONES PRELIMINARES / DIMENSIONS BRUTES

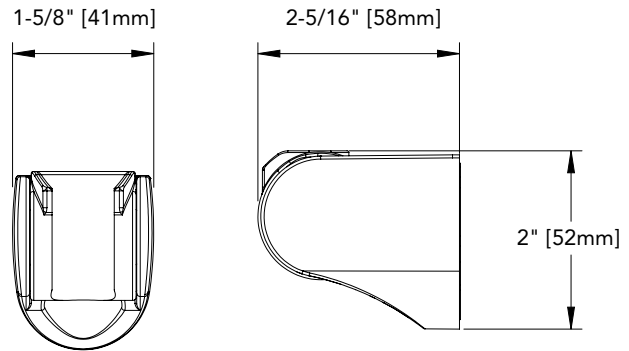
TS101W60



TS101R

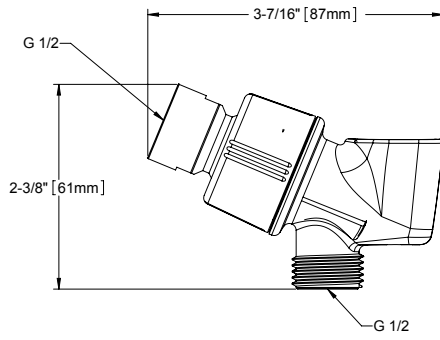
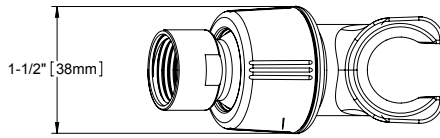


TS101V

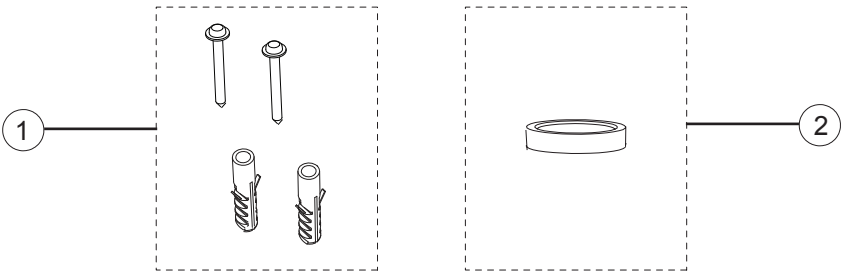


ROUGH-IN DIMENSIONS / DIMENSIONES PRELIMINARES / DIMENSIONS BRUTES

TS101S



REPLACEMENT PARTS



| No. | Description |
|-----|----------------|
| 1 | Hardware kit |
| 2 | Gasket / Sieve |