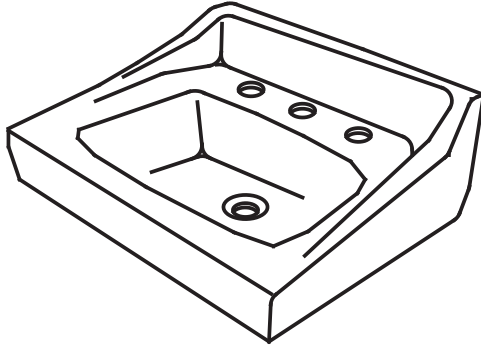
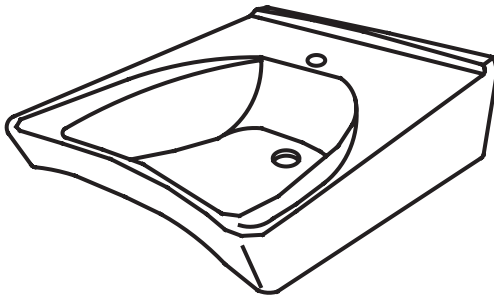


Wall Mounted Lavatory



LT307/.4.8



LT308/.4/.11

TABLE OF CONTENTS

Thanks for Choosing TOTO®!	2
Warnings.....	2
Before Installation.....	2
Installation Procedure	3
After Installation	3
Warranty	4

THANKS FOR CHOOSING TOTO!

The mission of TOTO is to provide the world with healthy, hygienic and more comfortable lifestyles. We design every product with the balance of form and function as a guiding principle. Congratulations on your choice.

WARNINGS



When this symbol appears in the manual, be aware that potential misoperations may cause personal injury and/or property damage.

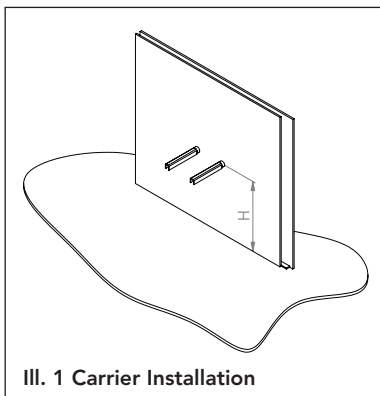
BEFORE INSTALLATION

- The floor must be level and the wall must be square with the floor for best results.
- Use the recommended wall carrier listed on the Spec Sheet. Install it per manufacturer's instructions and local codes.

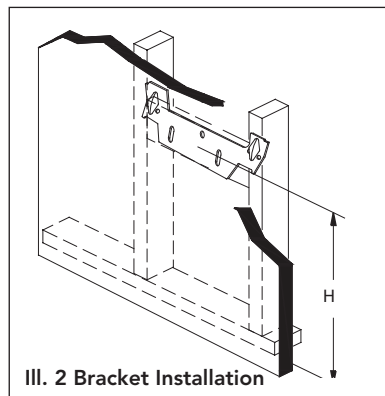
For installation with carrier (required for LT308), install the carrier arms at the appropriate height. To determine arm height, (H), use the hole to rim distance as shown on the Spec Sheet.

For installation with bracket (optional for LT307 only), provide proper reinforcement, such as a brace, between the studs of the wall to securely mount the bracket and to support the lavatory.

1. Position the mounting bracket at the appropriate height, H (see Ill. 2) for installation. Use a pencil to mark the center of the slotted holes on the bracket.
2. Drill pilot holes for the wood screws (mounting screws not provided) at the marked locations.
3. Secure the mounting bracket to the wall using the bottom slots only.



III. 1 Carrier Installation



III. 2 Bracket Installation

INSTALLATION PROCEDURE



DO NOT OVERTIGHTEN HARDWARE. Overtightening hardware may damage the products and cause personal injury and/or property damage.

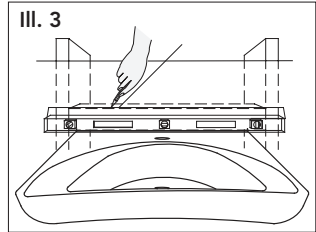
Installation using carrier

1. Install the faucets and drain (not supplied) per the manufacturer's instructions.
2. Slide lavatory over carrier arms.
3. Use the screws on the underside front and back holes to level the lavatory.
4. Use the underside center holes to lock the lavatory in place.

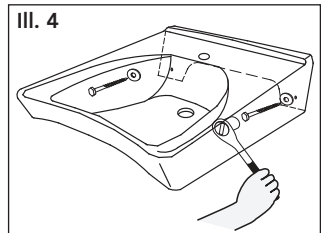
Installation using bracket (LT307 only)

1. Place the lavatory on the bracket. Brace it adequately so that the lavatory cannot tip over.
2. Verify that the lavatory is level and at the correct height (see Ill. 3). Mark the location of the mounting holes.

NOTE: To help recall the lavatory position, trace a line along the sides and top edge of the lavatory with a pencil.



3. Remove the lavatory from the bracket.
4. Drill the remaining holes for the mounting bracket and install the four remaining screws.
5. Install the faucets and drain (not supplied) per the manufacturer's instructions.
6. Return the lavatory into position.
7. Install the lavatory mounting hardware (see Ill. 4).



- A. Place a metal washer onto the screw. Do not secure the screw at this time.
- B. Place the remaining metal washer onto the screw and insert the screw through a mounting hole in the lavatory.
- C. Verify the lavatory is level with the mark along the top and sides of the lavatory and secure the lavatory to the wall by tightening screws.

AFTER INSTALLATION

1. Connect the water supply to the faucet according to the faucet instructions.
2. Connect and tighten the p-trap to the drain.
3. Turn on the water supplies to the faucet.
4. Purge air from the hot and cold water by running the water for a few seconds.
5. Fill the lavatory with water.
6. Check for any leaks at the water supply and drain connections.