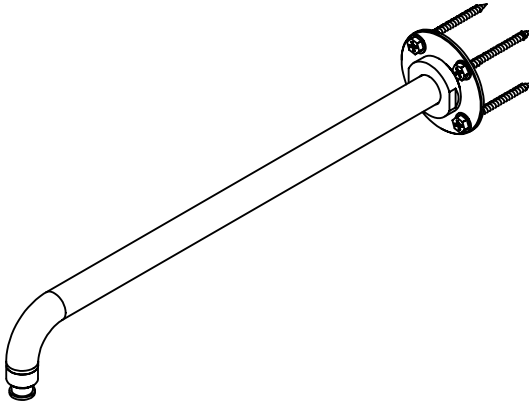


**16" Shower Arm (Wall Mount)**



**TS110MW16**

**TABLE OF CONTENTS**

Thanks for Choosing TOTO! ..... 2  
Warnings ..... 2  
Common Tools Needed..... 2  
Before Installation ..... 3  
Care & Cleaning..... 3  
Installation Procedure..... 4  
Warranty..... 5  
Rough-In Dimensions ..... 14

**THANKS FOR CHOOSING TOTO!**

The mission of TOTO is to provide the world with healthy, hygienic and more comfortable lifestyles. We design every product with the balance of form and function as a guiding principle. Congratulations on your choice.

**WARNINGS**

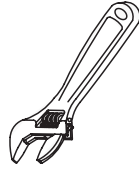
For safe operation, please observe the following:

- Recommended operating pressure:
  - Minimum pressure.....20 psi (0.14 MPA), dynamic
  - Maximum pressure.....80 psi (0.55 MPA), static
- Hot water supply temperature should not exceed 160°F (71°C).
- Do not use steam for the water supply.
- Do not use the product at an ambient temperature below 32°F (0°C).

**COMMON TOOLS NEEDED**



Pipe Tape



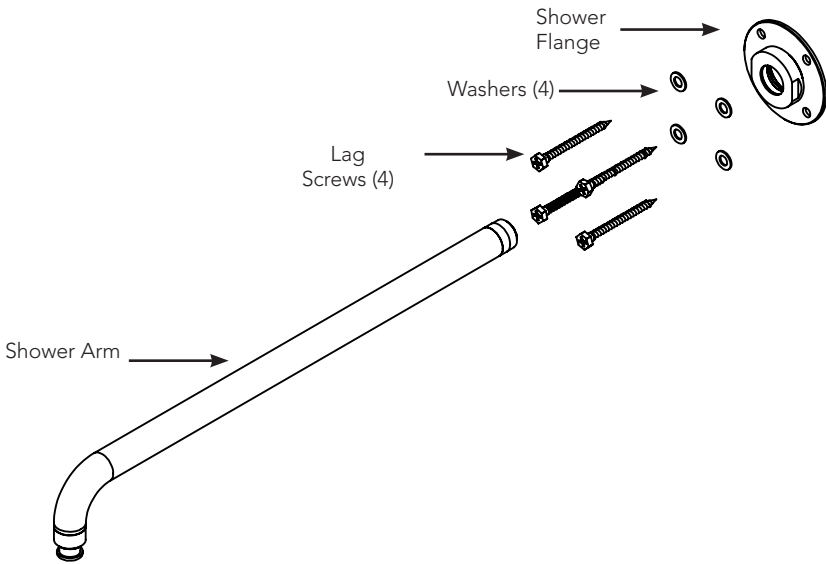
Adjustable  
Wrench



Phillips (2 "1")  
Screwdriver

## BEFORE INSTALLATION

- Observe all local plumbing codes.
- Make sure the water supply is shut off.
- Read these instructions carefully to ensure proper installation.
- Make sure there are adequate mounting supports.
- TOTO reserves the right to update the product design without notice.
- Check to make sure you have the following parts indicated below:

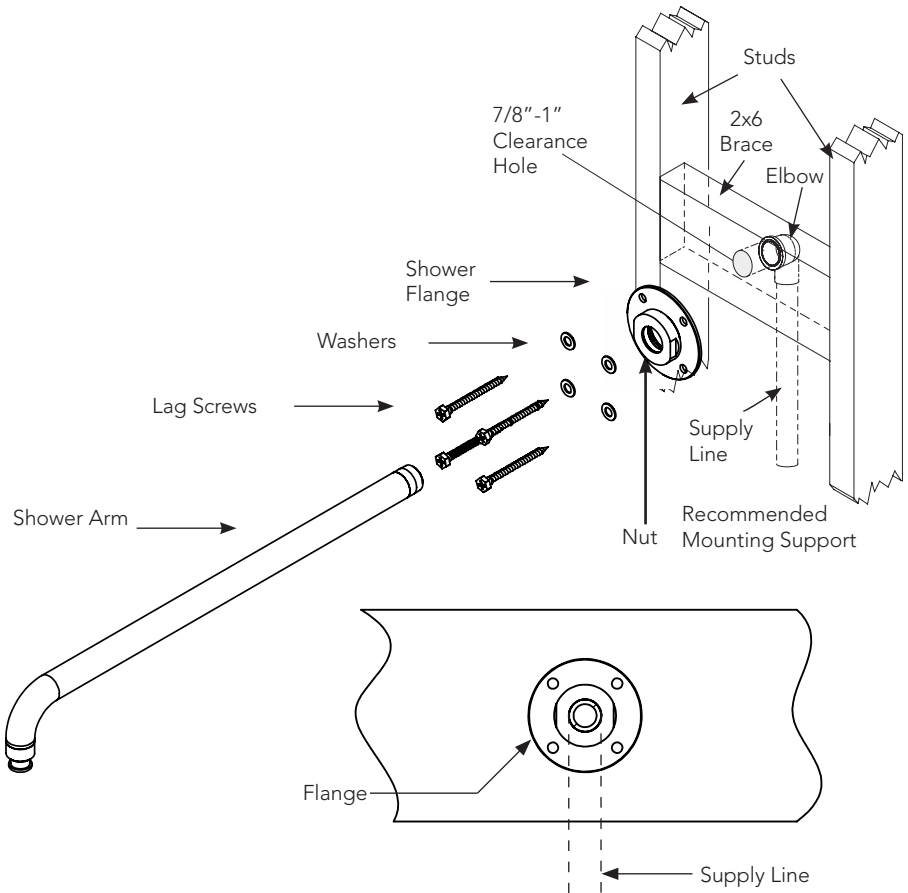


## CARE & CLEANING

Your new shower arm is designed for years of trouble-free performance. Keep it looking new by cleaning it periodically with mild soap, rinsing thoroughly with warm water and drying with a clean, soft cloth. Do not use abrasive cleaners, steel wool or harsh chemicals, as these will dull the finish. Failure to follow these instructions may void your warranty.

## INSTALLATION PROCEDURE

ENGLISH

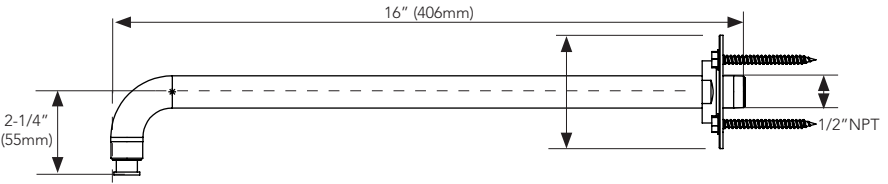


1. Slide the shower flange onto the shower arm assembly.
2. Wrap the shower arm threads with pipe tape. Screw the shower arm into the supply line.
3. Rotate flange as shown to avoid puncturing the supply line.
4. Drill four (4) 11/64" diameter pilot holes before fastening lag screws.
5. Secure the shower flange with the lag screws.
6. Secure the shower arm by tightening the shower flange nut.

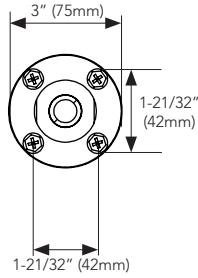
### CAUTION:

- Product being installed onto shower arm is heavy. Make sure there is adequate mounting support prior to installation.
- Thoroughly clean and remove debris from the water supply pipe before installation to prevent clogging the spray outlet.
- To avoid leakage, do not move the showerhead after installation.

**ROUGH-IN DIMENSIONS / DIMENSIONES PRELIMINARES /  
DIMENSIONS BRUTES**



**SIDE VIEW**



**FRONT VIEW**