

Wood burning heater Harvia M3 SL black

WKM3SL

The SL models are designed for people who want to conveniently heat their sauna from another room or outside the building. The opening direction of the door can be changed, making these stoves even easier to use. SL and Boiler stoves provide great bathing in small and medium-sized saunas.



Features

Net weight (kg) : 48.0

H x W x D : 710.0 x 390.0 x 65.0 mm

Stone amount (kg) : 30.0

ID	GTIN	Power	Sauna room size min - max m3
WKM3SL	6417659001151	16.5 kW	6.0-13.0

Related products



WL100

Spare parts

Product	ID	Pcs
Ashpan ES/SL	Z2ES-125	1
Furnace grate	ZKIP-10	1
Hinge pin	ZKIP-50	1
Air-flow spoiler M1/M3	ZKIP-630	1
Handle for stove + screws	ZKIP-670	1

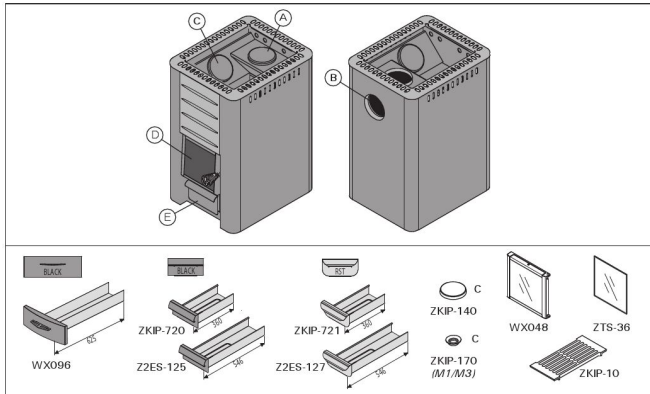
Technical details

Technical data	Type / attribute	WKM3SL
	Color	Black
	Power output	16.5 kW
	Stone sizes	10-15 cm
	Stone amount (kg)	30
Dimensions	Product width (mm)	390
	Product height (mm)	710
	Product depth (mm)	65
	Net weight (kg)	48
	Gross weight	50.6
	Package width	730
	Package height	765
	Package depth	415
Connections	Flue connection locations	Top
	Chimney connection diameter	115
Safety and installation dimensions	Safety distance front (non-combustible materials)	300
	Safety distance front (combustible materials)	300
	Safety distance right side (combustible materials)	250
	Safety distance right side non-combustible materials	100
	Safety distance left side (combustible materials)	250
	Safety distance left side non-combustible materials	100
	Safety distance behind (non-combustible materials)	300
	Safety distance behind (combustible materials)	300
	Safety distance (Ceiling) (depends on connections and therefore from output, star/delta)	1200
Room min. height (depends on connections and therefore from output, star/delta)	1900	

Technical images

1.1. Stove Parts

- A. Upper connection opening
- B. Rear connection opening
- C. Soot opening
- D. Stove door
- E. Ash box



Stove parts. Note! Only use replacement parts recommended by the manufacturer. Unauthorised modification of the stove is prohibited.

	A min.	B min.	C min.	D min.
M1, M2, M3-SL, Classic 140	1200	250	300	300
20 Pro, 20 SL Duo, 20 ES Pro, S20 Boiler, 20 SL Boiler, Premium VS, Classic 220 Duo, 20 RS/LS Pro	1300	300	300	300
26 Pro, Classic 280	1280	375	375	375
36, 36 Duo	1250	500	500	500
Linear 16, 16	1300	300	350	400
Linear 22, 22 S, Linear 22 RS/LS/ES, 22 RS/LS/ES	1265	400	380	500
Linear 28	1380	400	400	500

Safety distances (all dimensions in millimeters)

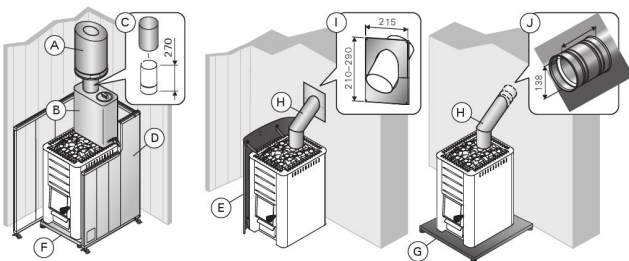
WX017	B min.
M1, M2, M3-SL, 20 Pro, 20 SL Duo, 20 ES Pro-S, 20 Boiler, 20 SL Boiler, Premium, Classic 140-SL, Classic 220 Duo	300
26 Pro, Classic 280	375
Linear 16, 16	300
Linear 22/28, Linear 22 ES, 22 ES S, 22 S	400

WL400/WL450	M1, M2, M3-SL	B min.	C min.	D min.	F
20 Pro-SL Duo	50	50	300	30	
WL500/WL550	20 Pro-SL Duo	62	62	422	30
20 Boiler, 20 SL Boiler					
WL600/WL650	20 ES Pro-S	73	73	526	30
WL700/WL750	26 Pro	90	90	700	30
WL800/WL850	36, 36 Duo	62	62	422	30
WL500/WL590	20 RS/LS Pro	30	30	400	32
WL425/WL475	Linear 16, 16				
WL525/WL575	Linear 22, 22 S				
WL525/WL585	Linear 22 RS/LS, 22 RS/LS S	70	70	500	40
WL530/WL580	Linear 22 ES, 22 ES S				
WL725/WL775	Linear 28				

Safety distances with protective sheaths (all dimensions in millimeters)

3.4. Accessories

- A. Harvia steel chimney WHP1500.
- B. Water heater VL221. Installed on the top of the upper connection opening. When a protective sheath or other protection is used that is not large enough to protect the inflammable materials around the stove from the heat radiation of the pipe between the water heater and smoke flue, you must install a radiation cover around the pipe.
- C. Radiation cover WZ020130. Installed around the smoke pipe.
- D. Harvia protective sheath WX017.
- E. Harvia protective sheath WL400-WL775.
- F. Harvia protective bedding WX018, WL100. (not for models 20 RS/LS Pro, 36, 36 Duo, Premium VS, Linear 22 RS/LS, 22 RS/LS S).
- G. Harvia protective bedding WL110 (not for models 20 ES Pro/S, Linear 22 ES, 22 ES S).
- H. Angle smoke pipe. Different models.
- I. Lead-through flange for smoke pipe WZ020115. Covers the edges of the flue opening and the sealing in the wall. Made of stainless steel. Consists of two parts to make it useable with differently inclined smoke pipes.
- J. Masonry connector WZ011115. Connected to the flue opening, does not require other seals. The inner side already has a seal.



Accessories (all dimensions in millimeters)