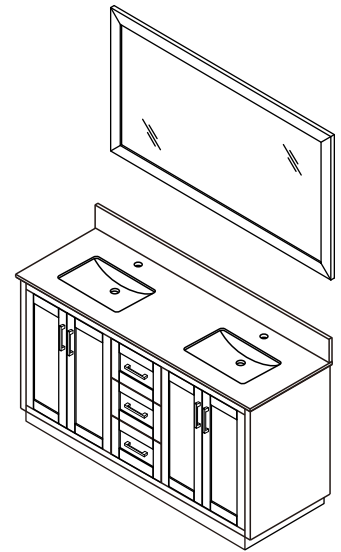
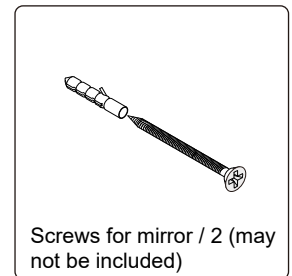
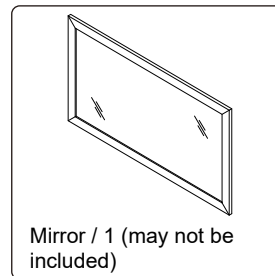
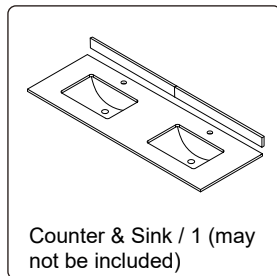
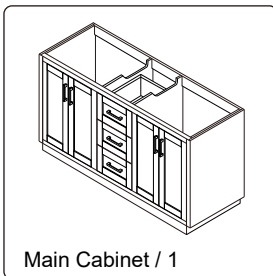


- Prior to installation please check received items against the "Packing List". Please report any missing items to your retailer immediately.
- Protect all surfaces from sharp objects, high heat sources, direct prolonged sunlight and chemical hazards.
- Professional installation recommended.
- Please install on a level surface. If minor door and drawer alignment is required, please follow the easy directions below.
- Backsplash comes in two pieces.

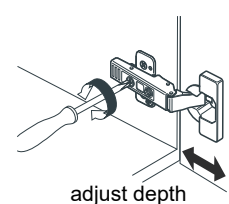
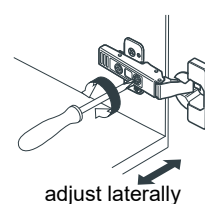
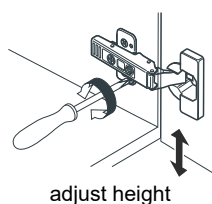
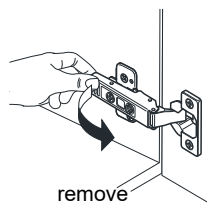
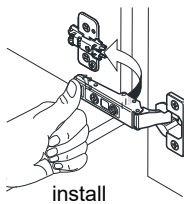


### PACKING LIST

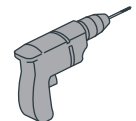
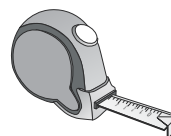
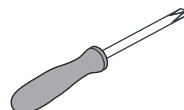
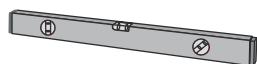
(Not all components may be included, depending upon your purchase)



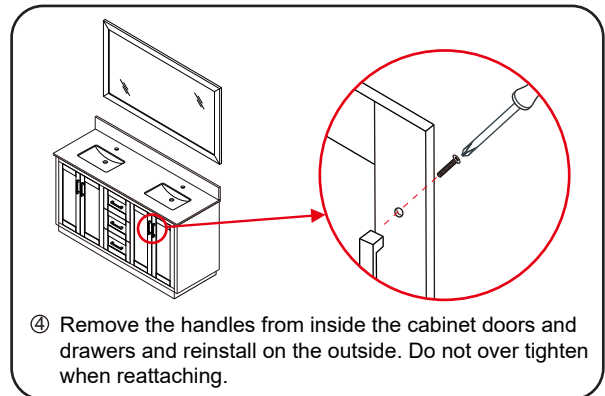
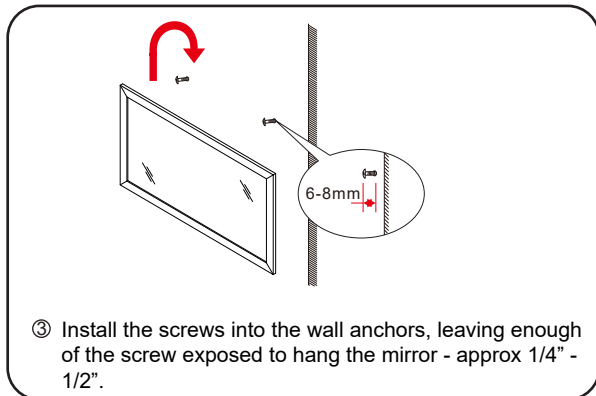
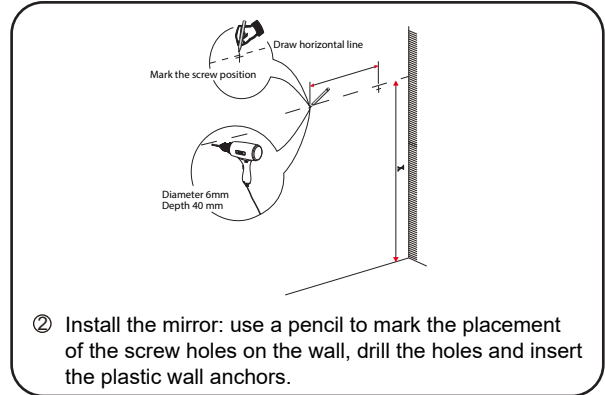
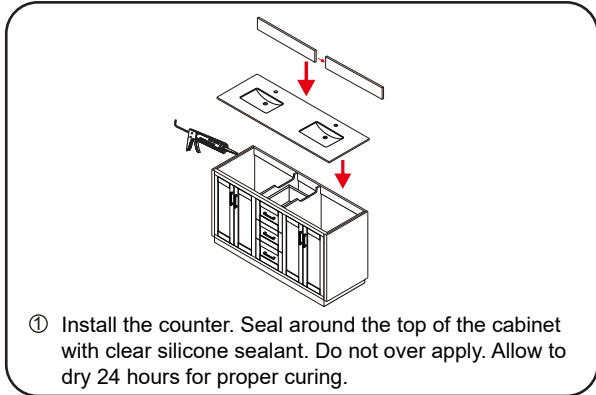
### HOW TO ADJUST HINGES (if required)



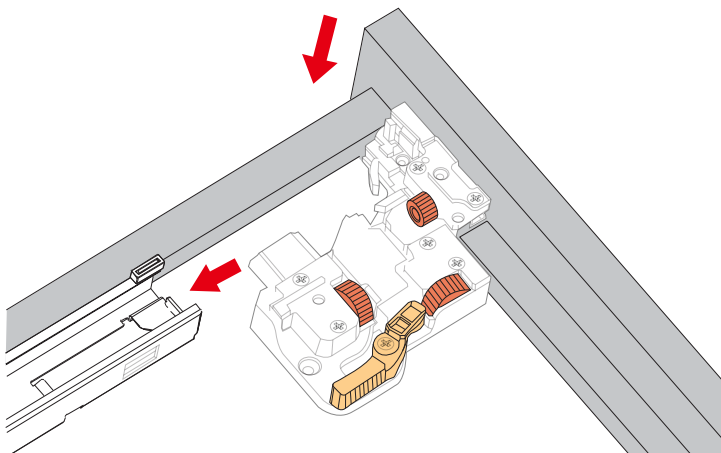
### REQUIRED TOOLS NOT IN BOX



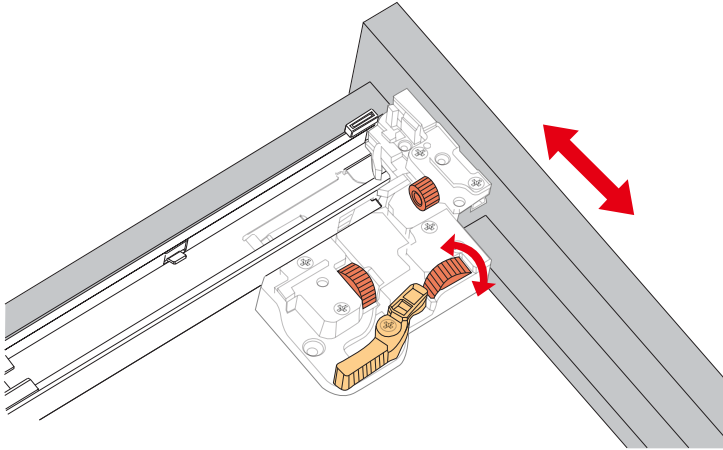
## INSTALLATION INSTRUCTIONS



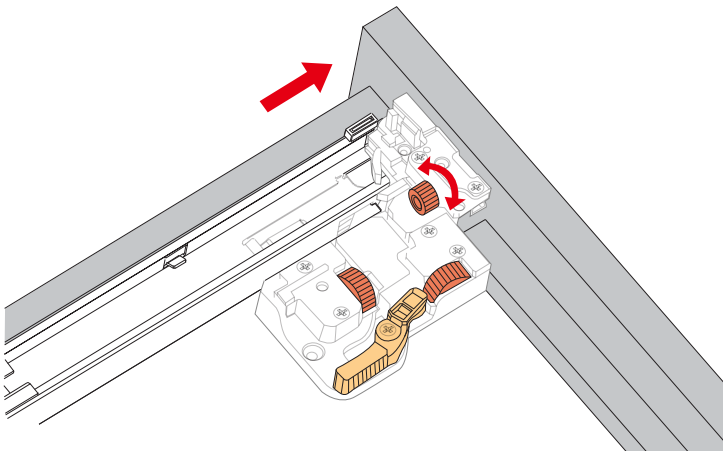
## HOW TO ADJUST DRAWER SLIDES (if required)



Up and Down Adjustment



Side Adjustment



Depth Adjustment