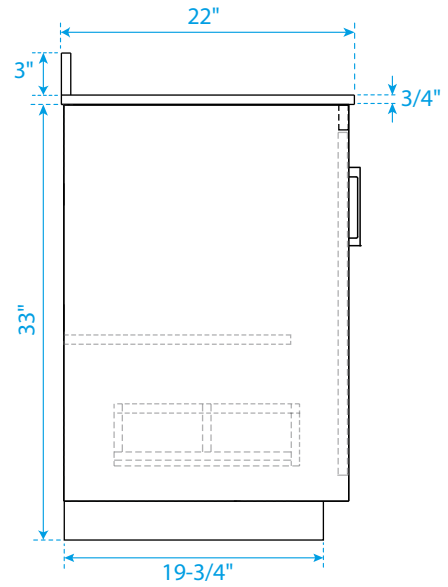
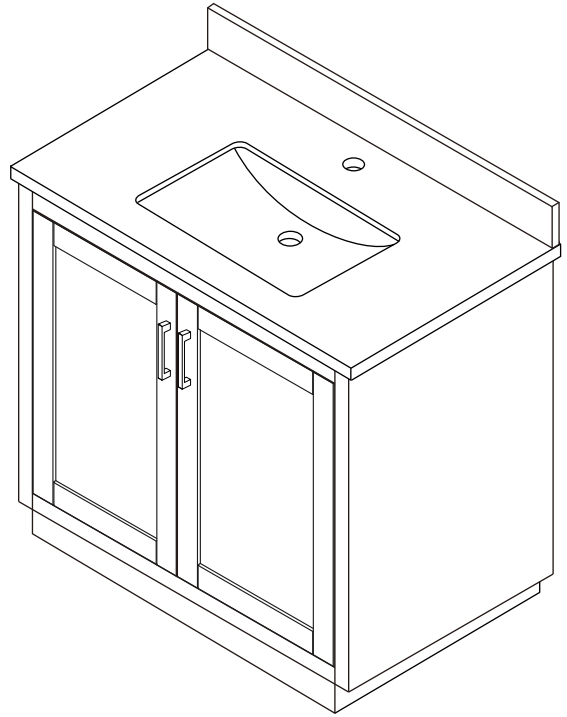
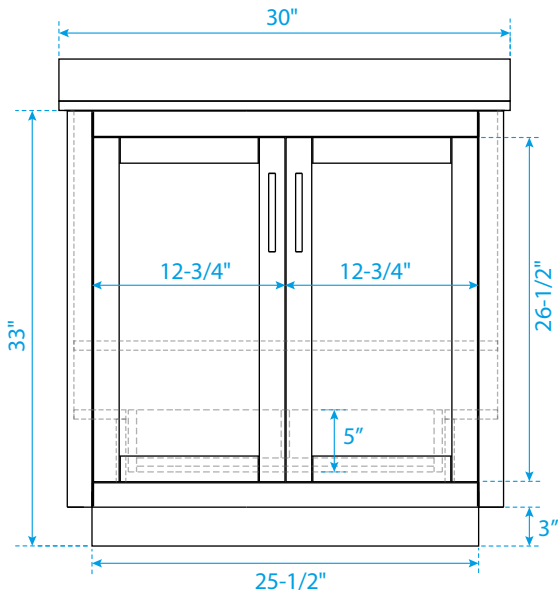
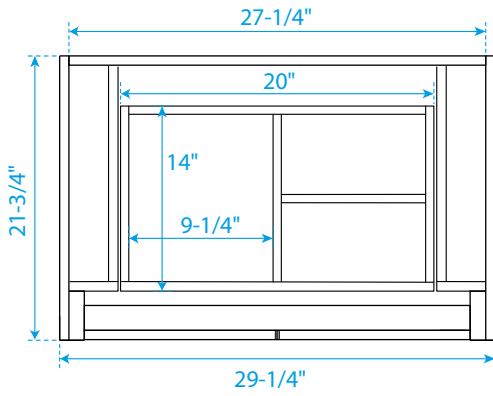


TOP VIEW OF VANITY CABINET



*Note: All measurements are $\pm 1/4$ ".