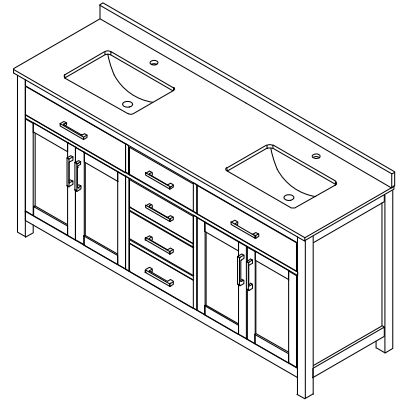
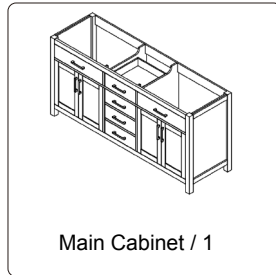
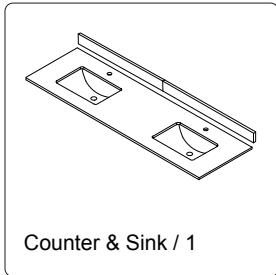


- Prior to installation please check received items against the "Packing List". Please report any missing items to your retailer immediately.
- Protect all surfaces from sharp objects, high heat sources, direct prolonged sunlight and chemical hazards.
- Professional installation recommended.
- Backsplash comes in two pieces.

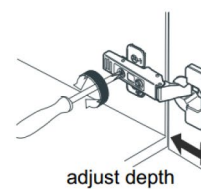
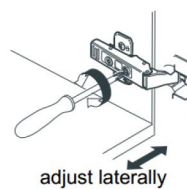
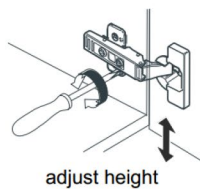
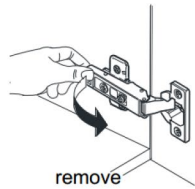
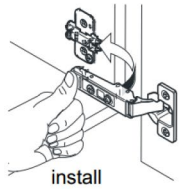


PACKING LIST

(Not all components may be included, depending upon your purchase)



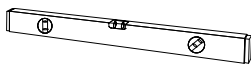
HOW TO ADJUST HINGES (if required)



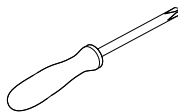
REQUIRED TOOLS NOT IN BOX



Silicone sealant

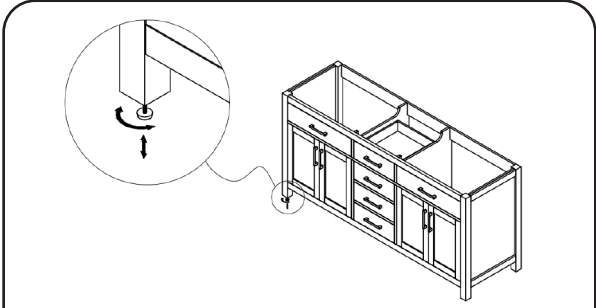


Spirit Level



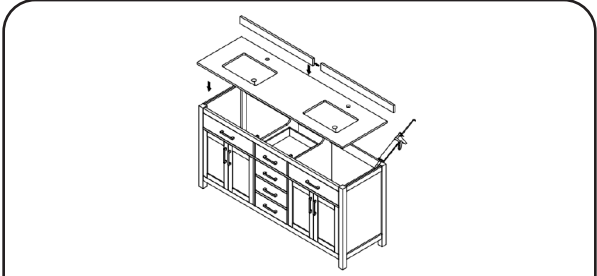
Phillips Screwdriver

INSTALLATION INSTRUCTIONS



The diagram shows a vanity cabinet with a callout circle highlighting the adjustable feet. A circular inset provides a close-up view of a foot being rotated to level the cabinet. A small circle with the number 1 is placed near the feet on the main cabinet drawing.

① Adjust the feet to level the vanity.



The diagram shows the vanity cabinet with a countertop being placed on top. A circular inset shows a close-up of the countertop being secured to the cabinet. A small circle with the number 2 is placed near the countertop on the main cabinet drawing.

② Install the counter. Seal around the top of the cabinet with clear silicone sealant. Do not over apply. Allow to dry 24 hours for proper curing.