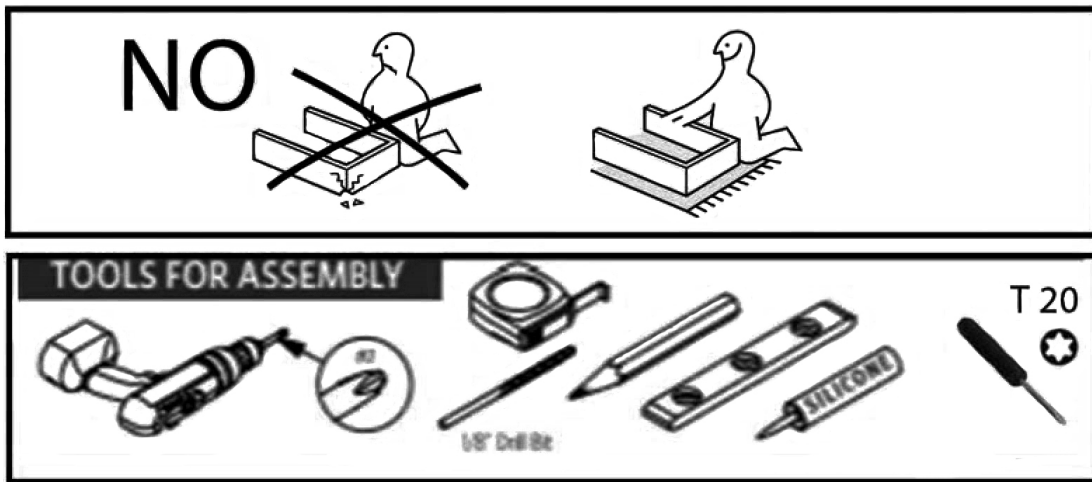


LAVIVA

for life

VITRI INSTALLATION GUIDE 313VTR



ATTENTION :

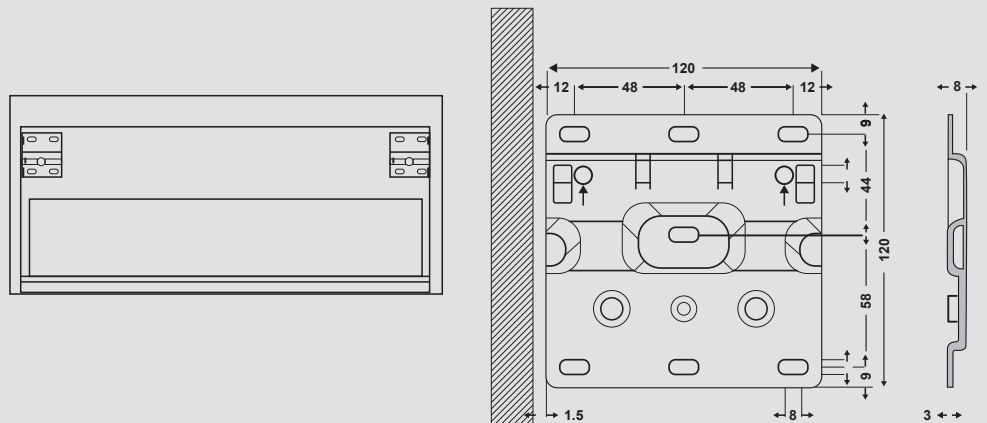
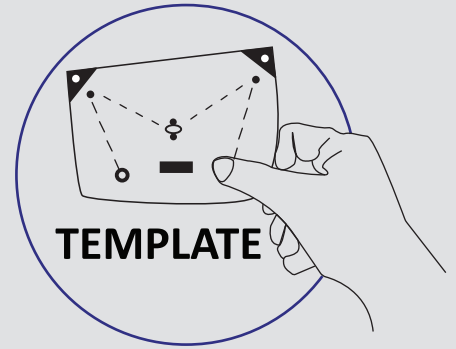
Vanity must be installed by professional contractor with proper tools.
Wall plates must be mounted directly to studs for proper support and safety.
If that is not possible, wall anchors are required.
Anchors are NOT provided. Must use the appropriate anchors for specified wall.

3

Determine your finished height of the cabinet.

Fix the template to the wall making sure it is leveled and mark the screw holes with a pencil.

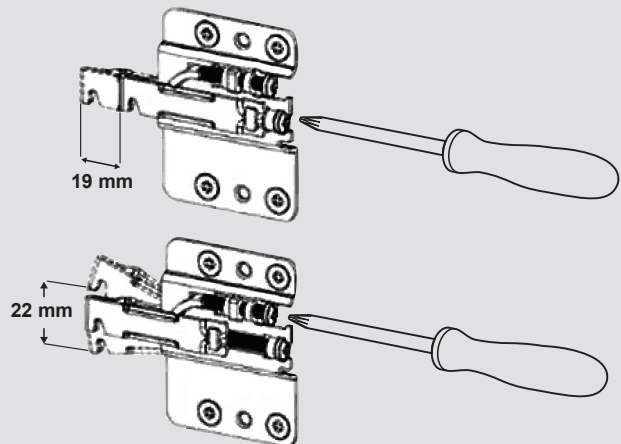
Position and secure the supporting wall plates to wall studs.



(NOTE: Don't forget to consider the thickness of your countertop)

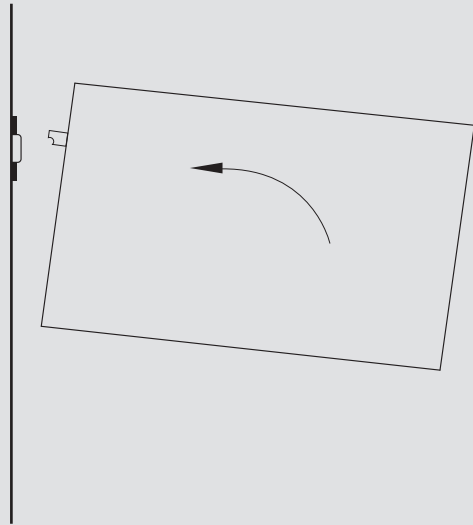
4

Tighten bottom screw of brackets (inside cabinet on both sides) to extend the hook past the frame of the cabinet in order to lock into bracket.



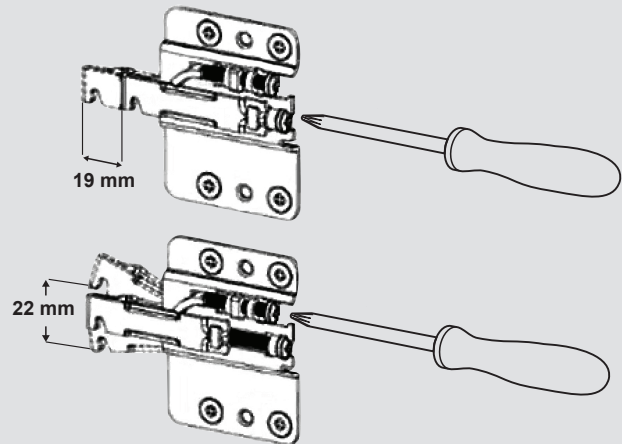
5

Hang cabinet and secure brackets into wall plates. Make sure to hear the brackets click into place.



6

Adjust brackets to level the cabinets.

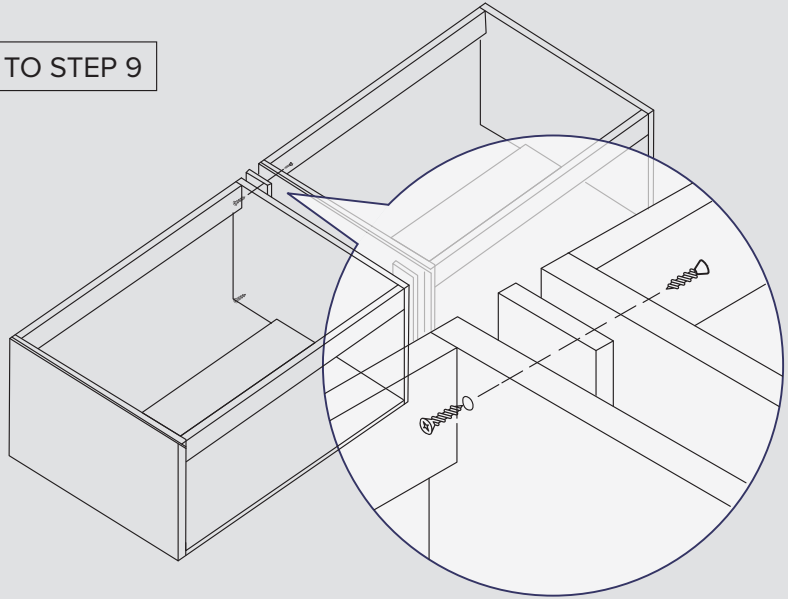


7

IF YOUR CABINET ONLY HAS 1 BASE, SKIP TO STEP 9

Attach spacers (313VTR-SR) between the cabinets with the screws provided. Use predrilled holes in cabinet to screw in the spacers.

One spacer has a finished (leather grey) front, which must be used as the front spacer, flush with the cabinet's front and top.



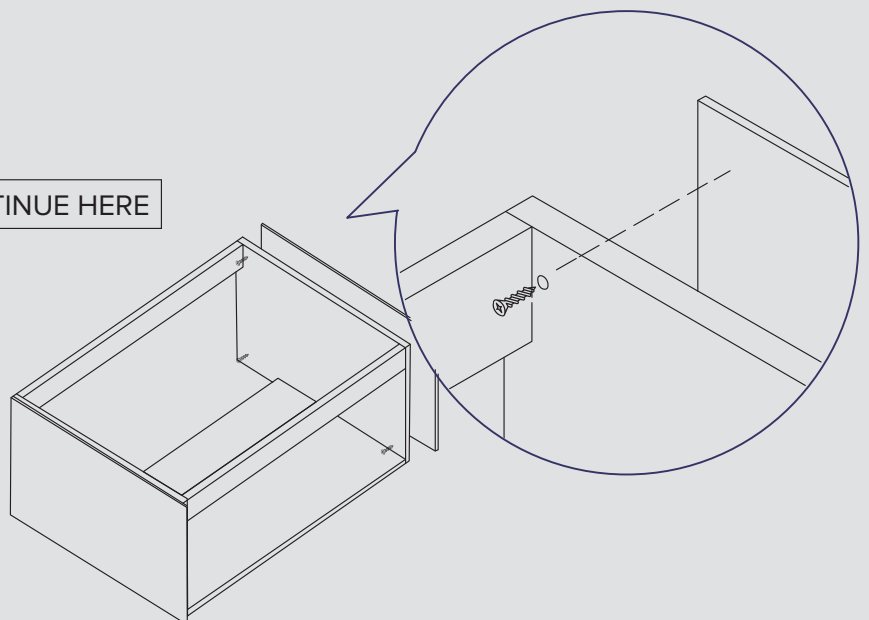
8

Copy steps 1-4 for each additional cabinet. Make sure to give the proper spacing between the spacer and the wall plate to consider the thickness of the cabinets frame.

9

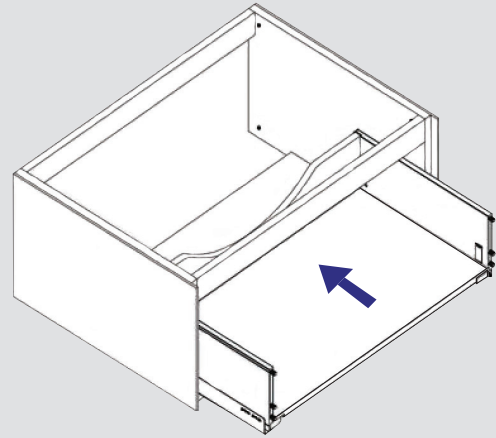
IF YOUR CABINET ONLY HAS 1 BASE, CONTINUE HERE

Install side panels using provided screws.



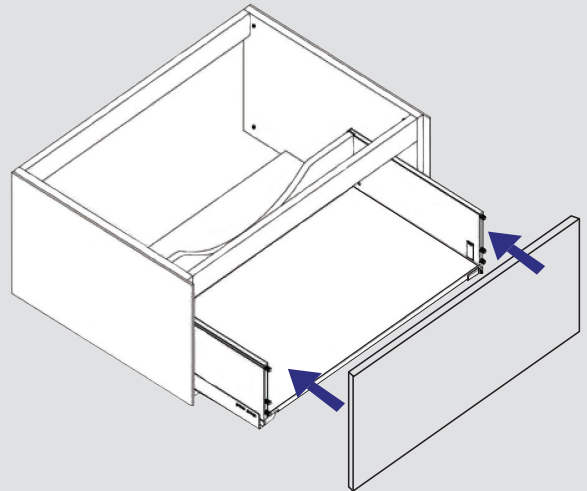
10

Insert the drawer inside the cabinet placing it on the slides. Push it all the way back until you hear it click into place.



11

Connect the drawer front into the drawer box.



12

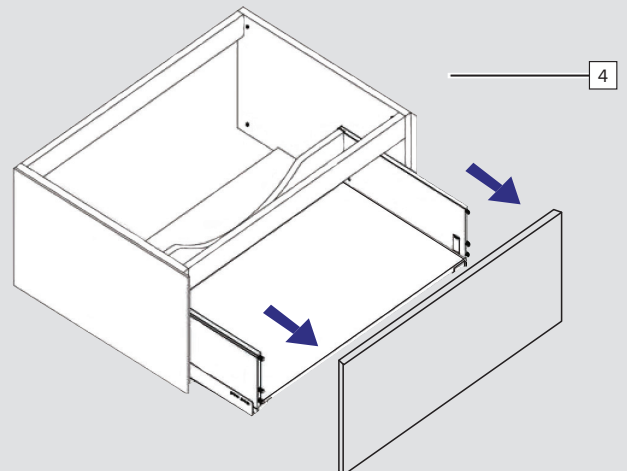
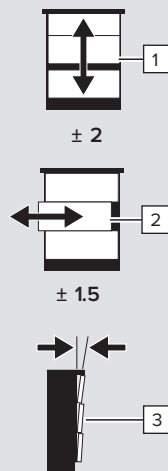
Adjust the doors per instructions below:

1- Adjusts the door up and down.

2- Adjusts door left and right.

3- Adjusts the tilt of the door.

4- Removes the door off drawer box.

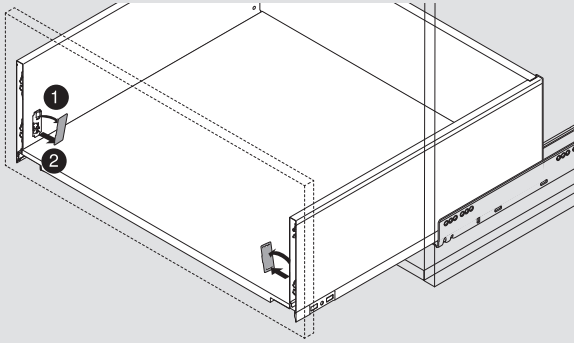


See following page for adjustment guide.

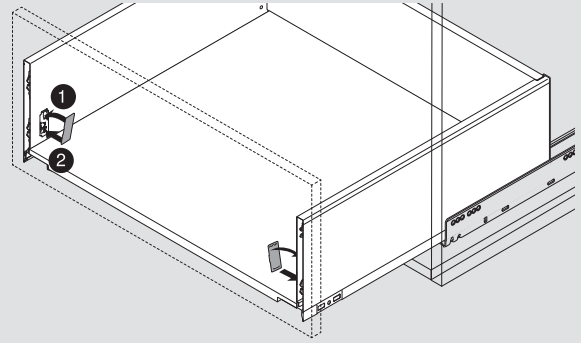
LEGRABOX adjustments

Cover cap removal/installation

Removal



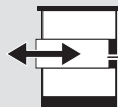
Installation



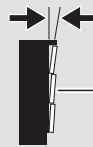
Height, side and tilt adjustments



1 Height adjustment
 $\pm 2 (3/32")$



2 Side adjustment
 $\pm 1.5 (1/16")$

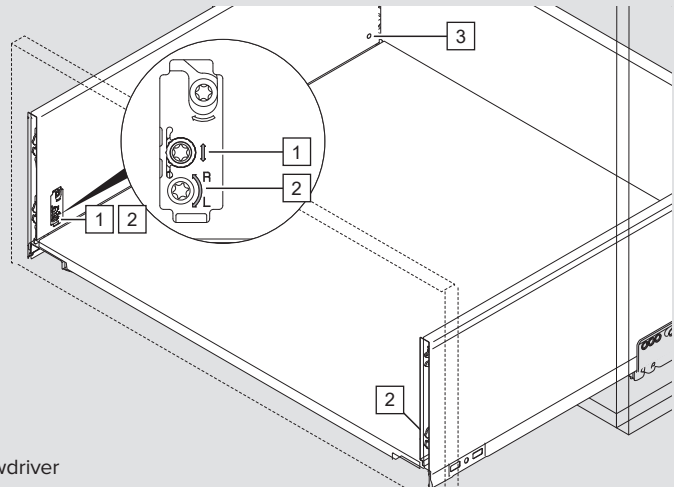


3 Tilt adjustment
M height $+1.5/-0.5 (1/16"/1/32")$
C/F height $\pm 1.5 (1/16")$

Height adjustment – Turn the adjustment screw clockwise to raise or lower the drawer front.

Side adjustment – Turn adjustment screw towards the **L** to Move drawer front left. Turn adjustment screw towards the **R** to move drawer front right.

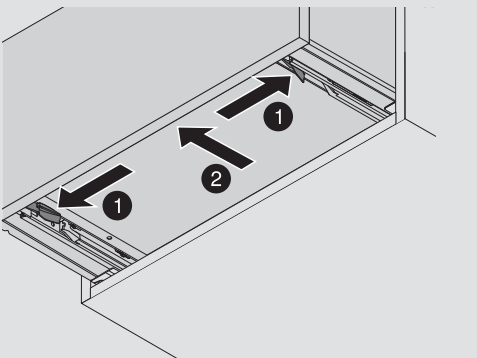
Tilt adjustment – To increase the drawer front gap, turn the adjustment screw clockwise, to decrease turn adjustment screw counterclockwise.



NOTE: Height, side and tilt adjustments must be achieved with a T20 Torx screwdriver

Drawer removal

Pull drawer forward to reveal locking devices. Squeeze triggers on locking device and lift drawer box off of runners.



Drawer front removal

Turn adjustment screw to release front fixing bracket. Lift drawer front away from drawer box.

