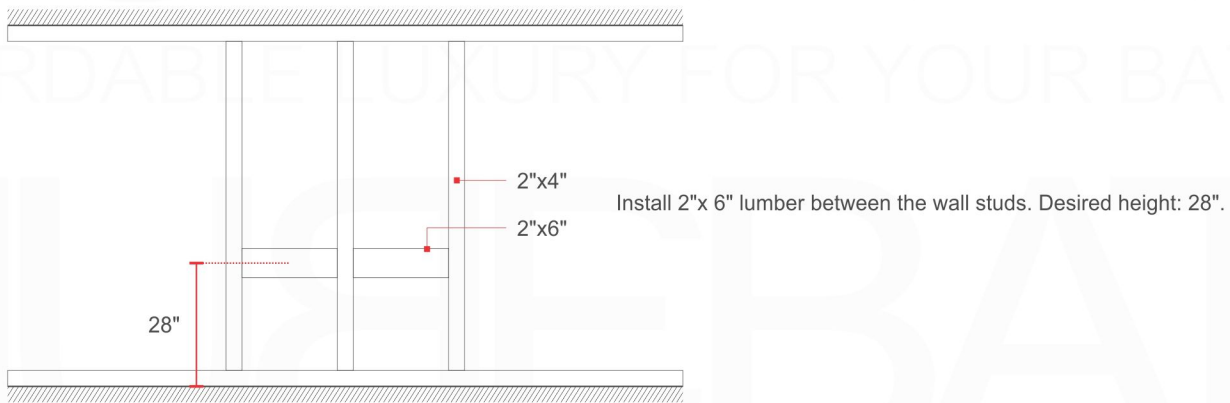


How to Install a Bliss 72" and 80" Wall-Hung Vanity INSTALLATION GUIDE

Tools Required for Assembly

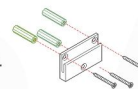


Wall Preparation

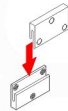


Vanity Installation

1. Remove all Drawers from the Cabinet sections.
2. Install matching wood spacers provided on one section of the vanity. Please ensure that the front spacer is installed flush with the Cabinet edge, not the drawers. (See Figure 1)
Use screws to attach the wood spacers to the cabinet
3. Align and level mounting Brackets according to horizontally reinforcement lumber and desired cabinet height.



4. Mount Vanity on to the wall brackets.



5. Add a dap of silicone to the corners of the Cabinet (See Figure 2)
6. Gently position and align Counter Top Sink onto Vanity.

Figure 2

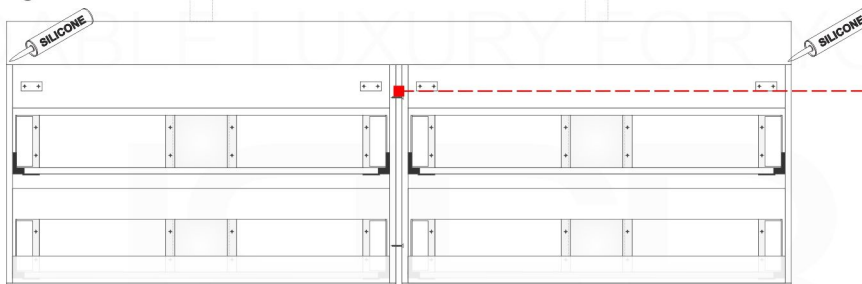


Figure 1

