

Getting Ready To Install

A - What is my rough-in?

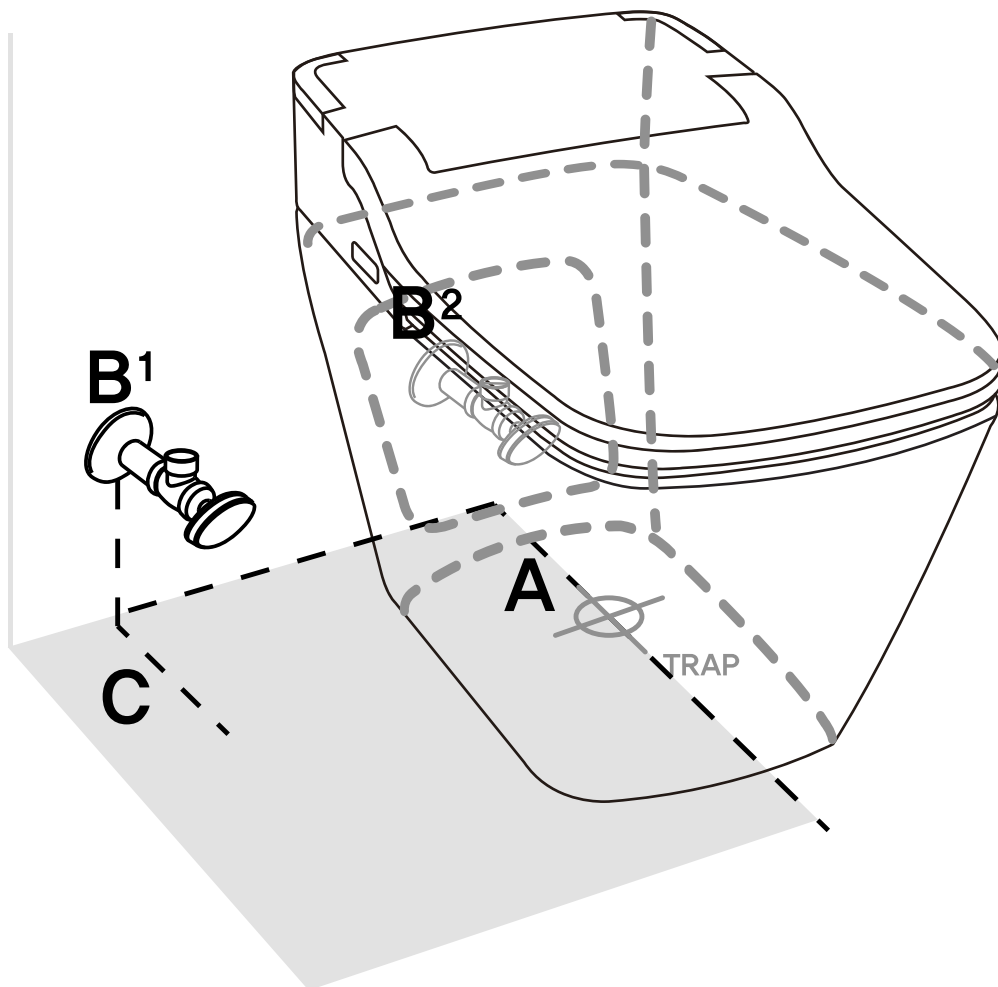
12" from the wall to the center of the toilet trap.

B - Where is my shutoff valve?

Type B1 - The shutoff valve will be positioned outside of the toilet base if it is more than 6.25" from the center of the trap when measured along the wall.

Type B2 - The shutoff valve will be positioned inside the toilet base if it is less than 5".

C - *If the shutoff valve is positioned between B1 and B2, it must have a depth of less than 4" to allow for proper installation.*



How to use Remote Control

< TOP >

Flush (full, small) button

- Press the flush button to activate the full or small flushing

Seat cover opening/closing

- Press the seat cover button to automatically open and close the toilet seat cover

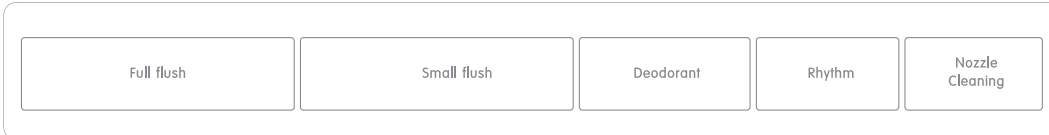
Cover and seat closing

- Press the close button to close both the toilet seat cover and toilet seat.

- TCB-090SA



- TCB-090S



Cover and seat opening

- When you press the cover or toilet seat buttons, both the toilet seat cover and the toilet seat are automatically open and closed.

Rhythm ON / OFF

- If you push 'Rhythm' button during the posterior Wash or Feminine function, nozzle will move to wash wide area and provide pulsating massage effect with changing water pressure.

Auto Deodorant ON / OFF

- Press the deodorant button to remove the odor inside the bowl.

Nozzle cleaning

- Press the nozzle cleaning button to clean the nozzle in a moving forward position.

< Front >

Stop

- To stop the function being used, press the STOP button.

Posterior Wash

- Press the posterior button to activate washing water spray from the nozzle.

Feminine Wash

- Press the feminine button to activate washing water spray from the nozzle.

Position

- The nozzle position can be adjusted in 5 steps.

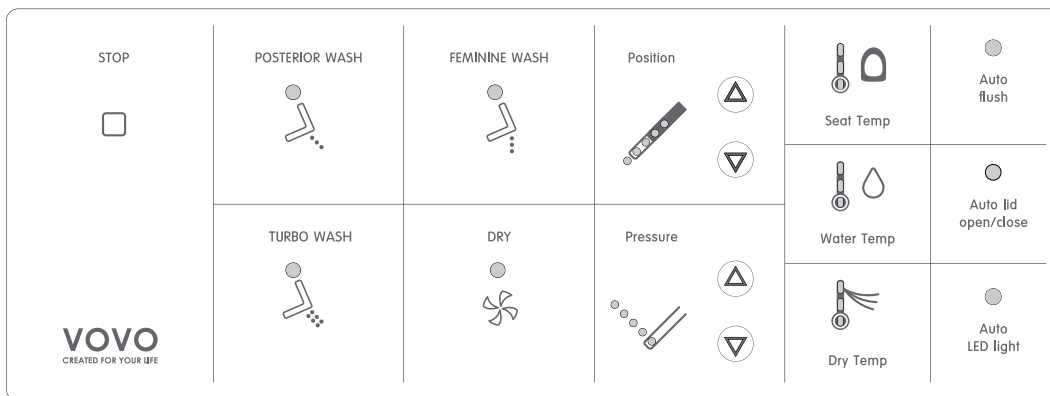
Seat Temp

- The toilet seat temperature button can adjust the temperature of the toilet seat in three steps.

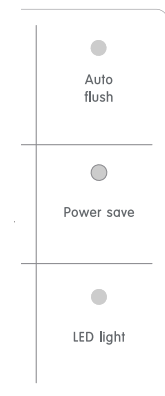
Auto Flush ON/OFF

- The seat sensor detects user's seating and flushes automatically by differentiating large and small flushes based on user's seated time. (Less than 2mins, small flush / more than 2 mins, large flush)

- TCB-090SA



- TCB-090S



Turbo Wash

- Press the Turbo wash button to activate washing water spray from the nozzle.

Dry

- Dry off the water after using the posterior wash, Feminine wash, and Turbo wash function.

Pressure

- It is possible to adjust the water pressure of Posterior wash, Feminine wash, and Turbo wash in five steps.

Water Temp

- It is possible to adjust the water temperature of Posterior wash, Feminine wash, and Turbo wash in three steps.

Dry Temp

- The temperature of the drying function can be adjusted in three steps.

Auto lighting / lighting ON / OFF

- The light is turned on in the bottom ceramic, you can turn the lighting function ON / OFF so that you can use the bathroom in the dark without any lights.

Auto lid open / close

- When you stand in front of toilet, the lid automatically opens, and when you move away from the toilet, the lid automatically closes.

Power saving ON / OFF



- TCB-090SA

- You can turn the power saving function ON / OFF. Press and hold the side control power key for 3 seconds to turn the bidet off and then turn the power saving on / off with the feminine key. to save the unused time and electricity cost.