



## Model no. VB-6000SE/6100SR

VB-6000SE (Elongated)  
VB-6100SR (Round)



### Features

- LED Night Light
- Heated Seat
- Eco-friendly Power Save
- 3 in 1 Full Stainless Nozzle
- Warm Air Dryer
- Self Cleaning Nozzle
- Soft Close
- Posterior Wash / Feminine Wash / Turbo Wash / Rhythm

### Required Electrical Service

- 120V / 60Hz

### Codes / Standards

- cETL Certificate
- CE Certificate
- GB Certificate



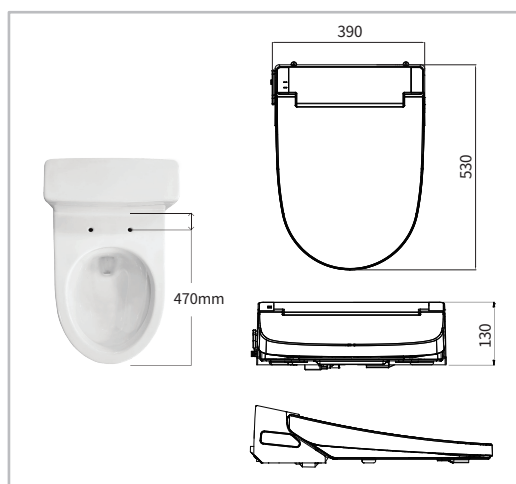
### Included Components

- Template
- Remote Control
- Manuals
- Hose
- T-valve
- Base Bracket X 1
- Bolt Bracket X 2
- Screw M/S X 2
- Insert Rubber Nut X 2
- Washer X 2
- Battery X 3

### Notes

- Install this product according to the installation instructions.

Elongated



Round

